

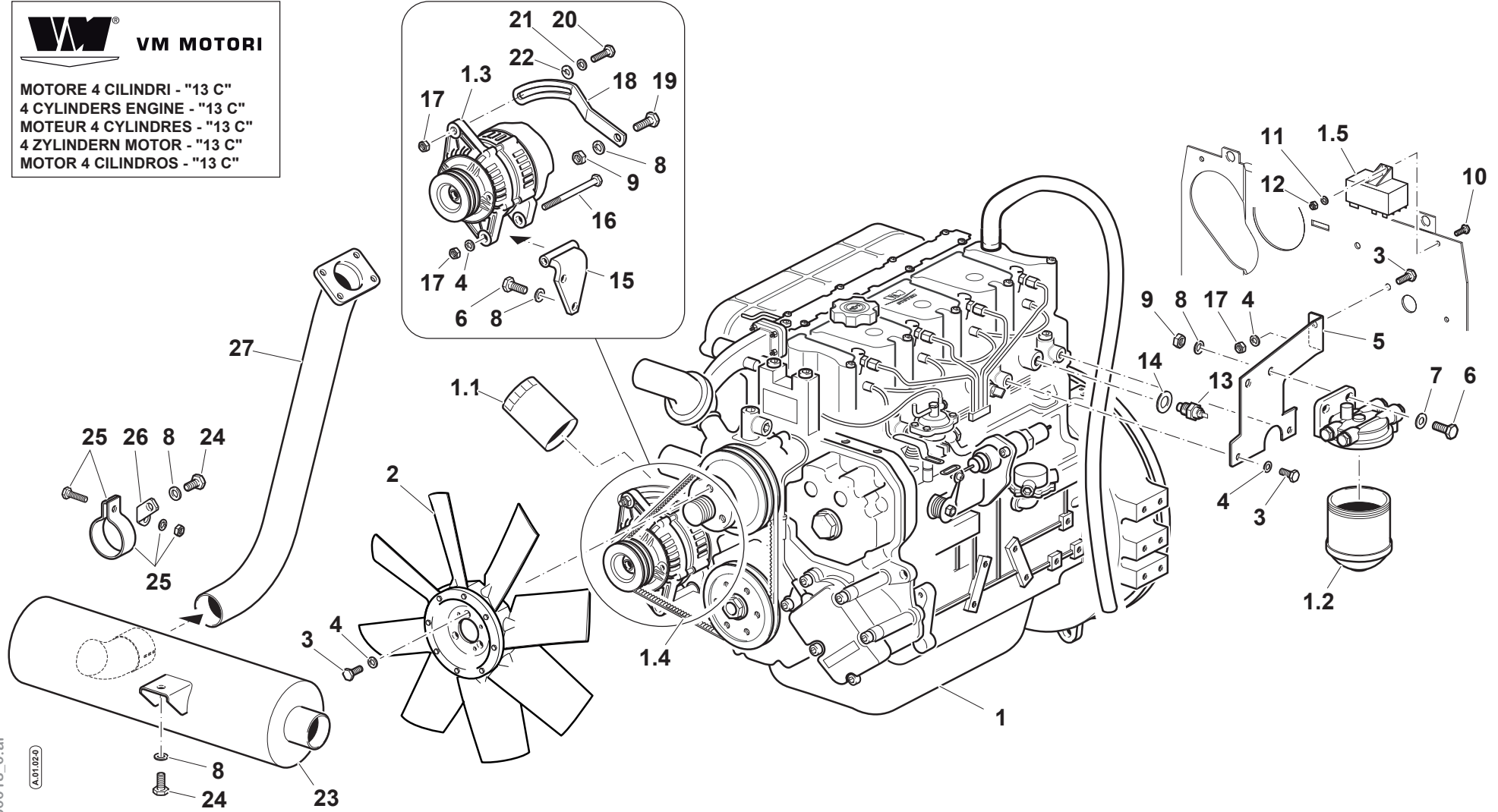
# Inhoudsopgave

|                                      |     |
|--------------------------------------|-----|
| Achteras Aandrijving .....           | 90  |
| Achteras Behuizing .....             | 66  |
| Brandstof Tank .....                 | 16  |
| Bumper & Motorkapsluiting .....      | 18  |
| Dashbord .....                       | 40  |
| Differentieel Slot .....             | 94  |
| Driepunt .....                       | 142 |
| Eindvertraging Wiel .....            | 92  |
| Elecktrisch .....                    | 116 |
| Front Gewichten & Beugel .....       | 150 |
| Gaskabels .....                      | 8   |
| Hydrauliek .....                     | 124 |
| Hydrauliek Hef .....                 | 136 |
| Hydrauliek Stuur .....               | 128 |
| Hydrauliek PTO - Diff. Slot .....    | 132 |
| Hydrauliek Ventielen .....           | 134 |
| Kabine .....                         | 32  |
| Koppeling .....                      | 72  |
| Koppeling Pedaal & Aansturing .....  | 76  |
| LuchtfILTER .....                    | 12  |
| Mechanisch Slot .....                | 88  |
| Middenstuk & As .....                | 64  |
| Motor .....                          | 4   |
| Motorkap .....                       | 20  |
| Oliekoeler .....                     | 126 |
| P.T.O. .....                         | 96  |
| P.T.O. Schakeling .....              | 108 |
| Radiator & Slangen .....             | 10  |
| Rem Pedalen .....                    | 112 |
| Remmen .....                         | 110 |
| Schakelpoken & Gaffels .....         | 84  |
| Schakelpoken & Zitting Montage ..... | 52  |
| Spatschermen Achter .....            | 28  |
| Spatschermen Voor .....              | 24  |
| Stickers .....                       | 36  |
| Tandwielen .....                     | 80  |
| Treepanken & Kappen .....            | 26  |
| Trekhaak .....                       | 146 |
| Vooras Behuizing .....               | 60  |
| Vooras Aandrijving .....             | 68  |
| Wielen & Banden .....                | 152 |
| Zittingen .....                      | 56  |
| Parts Index .....                    | 156 |

| <b>Code</b>      | <b>Description</b>                      | <b>Notes</b> |
|------------------|---|--------------|
| A.01.02.L50018_0 | ENGINE                                  |              |
| A.01.02.L50018_1 | ENGINE                                  |              |
| A.02.04.L50021_0 | ENGINE CONTROLS                         |              |
| A.03.02.L50018_0 | COOLER                                  |              |
| A.04.01.L50017_0 | AIR FILTER                              |              |
| A.04.02.L50017_0 | AIR FILTER WITH EXTERNAL AIR INTAKE     |              |
| A.05.01.L50017_0 | FUEL TANK                               |              |
| B.01.02.L50018_0 | FRONT SUPPORT                           |              |
| B.02.01.L50017_0 | BONNET                                  |              |
| B.03.02.L50023_0 | FRONT MUDGUARDS                         |              |
| B.04.03.L50023_0 | BOARDS                                  |              |
| B.05.02.L50023_0 | REAR MUDGUARDS                          |              |
| B.06.01.L50023_0 | MT FRAME - STRUCTURAL PARTS             |              |
| B.07.02.L50023_0 | PLATES AND STICKERS                     |              |
| B.08.01.L50017_0 | DASHBOARD                               |              |
| B.08.01.L50017_1 | DASHBOARD                               |              |
| B.08.01.L50017_2 | DASHBOARD                               |              |
| B.10.01.L50020_0 | SEAT SUPPORT / GEAR LEVERS COVER        |              |
| B.12.01.L50017_0 | SEAT (STANDARD)                         |              |
| B.12.02.L50017_0 | SEAT (KAB)                              |              |
| C.01.01.L50017_0 | FRONT AXLE                              |              |
| C.02.01.L50017_0 | CENTRAL SECTION                         |              |
| C.03.01.L50017_0 | REAR AXLE                               |              |
| D.01.01.L50017_0 | FRONT TRANSMISSION                      |              |
| D.02.01.L50017_0 | CLUTCH FRONT SHAFT/ TRANSMISSION CLUTCH |              |
| D.02.01.L50017_1 | CLUTCH FRONT SHAFT/ TRANSMISSION CLUTCH |              |
| D.03.01.L50017_0 | CLUTCH CONTROLS                         |              |
| D.04.01.L50017_0 | INPUT SHAFT/RANGES MAIN SHAFT/GEARS     |              |
| D.05.01.L50017_0 | GEARS MAIN SHAFT/GEARS                  |              |
| D.07.01.L50017_0 | GEARBOX CONTROLS                        |              |
| D.08.01.L50017_0 | LOCK MECCANICO                          |              |
| D.09.01.L50017_0 | REAR TRANSMISSION                       |              |
| D.10.01.L50017_0 | EPYCLIC REDUCTION GEARS                 |              |
| D.11.01.L50017_0 | SLIDING GEAR                            |              |

| Code             | Description  | Notes |
|------------------|--|-------|
| D.12.01.L50017_0 | POWER TAKE-OFF   |       |
| D.12.01.L50017_1 | POWER TAKE-OFF   |       |
| D.13.01.L50017_0 | POWER TAKE-OFF CONTROLS                                    |       |
| D.14.01.L50017_0 | BRAKES   |       |
| D.15.02.L50020_0 | BRAKES CONTROLS  |       |
| E.01.01.L50017_0 | FRONT ELECTRICAL SYSTEM                                    |       |
| E.02.02.L50018_0 | ENGINE ELECTRIC SYSTEM                                     |       |
| E.03.02.L50020_0 | REAR ELECTRICAL SYSTEM                                     |       |
| E.04.01.L50023_0 | FRAME ELECTRICAL SYSTEM                                    |       |
| F.01.02.L50018_0 | HYDR. SYSTEM DOUBLE OIL SUCTION                            |       |
| F.02.02.L50018_0 | HYDR. SYSTEM : HEAT EXCHANGER                              |       |
| F.03.02.L50020_0 | STEERING HYDR. SYSTEM                                      |       |
| F.04.02.L50023_0 | PTO /DIFFERENTIAL LOCK HYDR. SYSTEM                        |       |
| I.01.01.L50017_0 | HYDR. CONTROL VALVES: AVAILABLE PARTS                      |       |
| L.01.01.L50017_0 | RAISE/LOWER LIFT   |       |
| L.02.04.L50023_0 | HYDR. SUSPENSION VERSION                                   |       |
| T.01.02.L50017_0 | IMPLEMENTS ATTACHMENT - ADJUSTABLE ARMS WITH QUICK HITCHES |       |
| T.03.01.L50003_0 | PULL HOOK - STD  |       |
| T.03.02.L50003_0 | POOL HOOK "EEC" APPROVED                                   |       |
| T.04.01.L50018_0 | FRONT BALLASTS   |       |
| W.02.01.L50023_0 | WHEELS AND TYRES (TABLE 1/2)                               |       |
| W.02.02.L50023_0 | WHEELS AND TYRES (TABLE 2/2)                               |       |

**VM MOTORI**  
 MOTORE 4 CILINDRI - "13 C"  
 4 CYLINDERS ENGINE - "13 C"  
 MOTEUR 4 CYLINDRES - "13 C"  
 4 ZYLINDER MOTOR - "13 C"  
 MOTOR 4 CILINDROS - "13 C"



| Pos. | Code        | Q.ty | Description                    | Notes |
|------|-------------|------|--------------------------------|-------|
| 10   | 31112090    | 1    | SCREW TE M6X16 UNI 5739 8G     |       |
| 3    | 31112150    | 6    | SCREW TE M8X20 UNI 5739 8G     |       |
| 20   | 31112152    | 1    | SCREW TE M8X30 UNI 5739 8G     |       |
| 16   | 31112174    | 1    | SCREW TE M8X110 UNI 5737 8.8   |       |
| 24   | 31112210    | 2    | SCREW TE M10X20 UNI 5739       |       |
| 19   | 31112211    | 1    | SCREW TE M10X30 UNI 5739       |       |
| 6    | 31112219    | 4    | SCREW TE M10X25 UNI 5739       |       |
| 12   | 31212060    | 1    | NUT                            |       |
| 22   | 31411090    | 1    | WASHER 9x24                    |       |
| 7    | 31411105    | 2    | WASHER 10,5x21                 |       |
| 21   | 31421083    | 1    | WASHER                         |       |
| 1    | 41S50000    | 1    | MOT.VM D754E1.20A (41S50001) * |       |
| 26   | 56075120    | 1    | BRACKET                        |       |
| 18   | 56174728    | 1    | TENSION ROLLER                 |       |
| 5    | 56175189    | 1    | RETAINER                       |       |
| 13   | 58170233    | 1    | DIGITAL INSTRUMENT             |       |
| 1,1  | 58171199    | 1    | OIL FILTER CARTRIDGE           |       |
| 1,2  | 58171200    | 1    | FUEL FILTER CARTRIDGE          |       |
| 23   | 58174612    | 1    | EXHAUST SILENCER               |       |
| 2    | 58174959    | 1    | FAN                            |       |
| 25   | 58175121    | 1    | COLLAR                         |       |
| 27   | 59074624    | 1    | EXHAUST                        |       |
| 15   | 59074727    | 1    | SUPPORT                        |       |
| 1,4  | 59900337    | 1    | BELT                           |       |
| 1,3  | 59900344    | 1    | ALTERNATOR                     |       |
| 1,5  | 59900345    | 1    | CENTRAL PROCESSING UNIT        |       |
| 17   | F0814574000 | 3    | NUT                            |       |
| 9    | F0814632000 | 3    | NUT M10                        |       |
| 11   | F0843570000 | 1    | WASHER 6                       |       |
| 4    | F0843643060 | 7    | WASHER 8                       |       |
| 8    | F0843755000 | 7    | WASHER 10                      |       |
| 14   | F0844030070 | 1    | COPPER WASHER 16,0x22/1,5      |       |

SERIAL

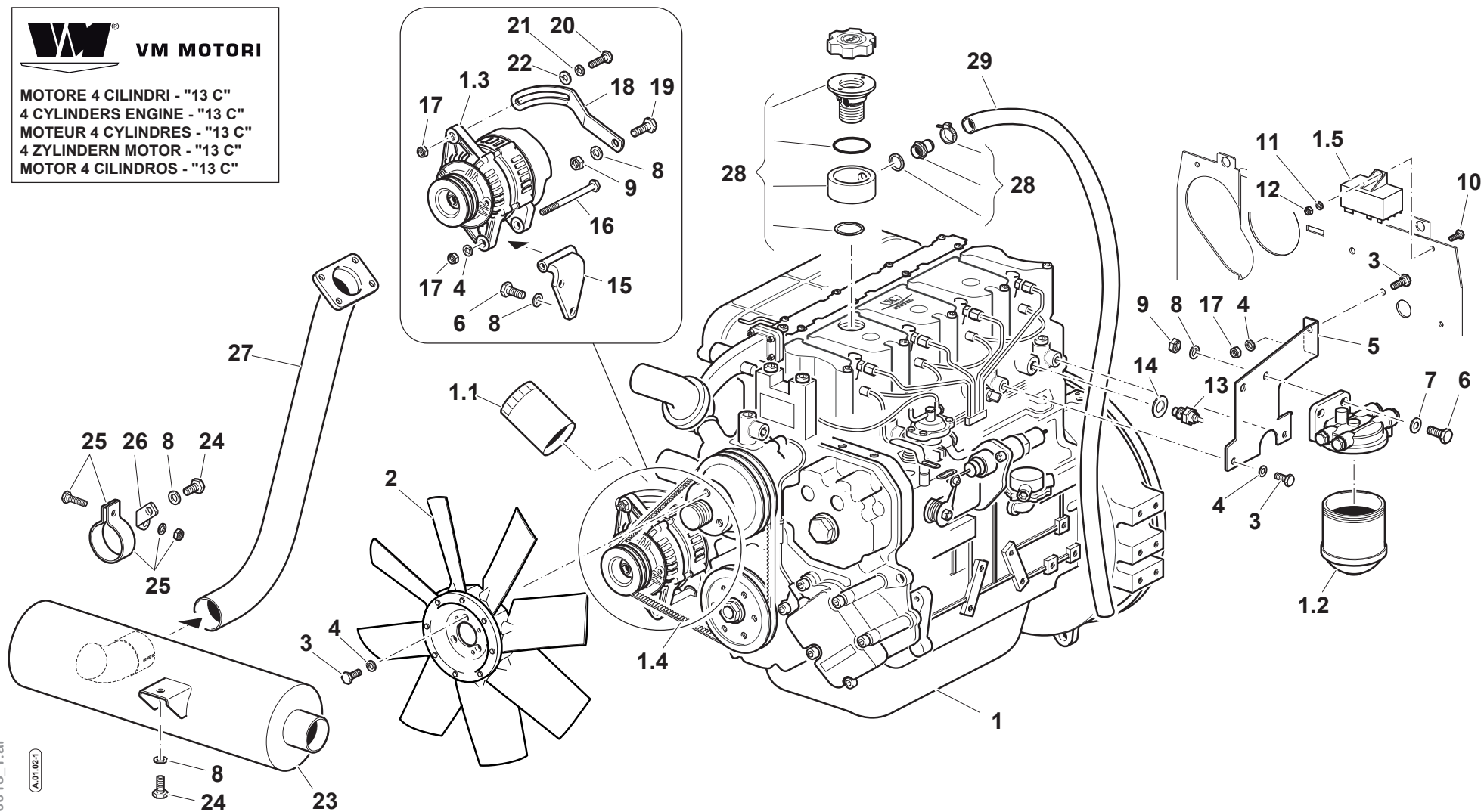
**ENGINE**

CODE REV

**A.01.02.L50018\_0**

**VM MOTORI**

MOTORE 4 CILINDRI - "13 C"  
 4 CYLINDERS ENGINE - "13 C"  
 MOTEUR 4 CYLINDRES - "13 C"  
 4 ZYLINDER MOTOR - "13 C"  
 MOTOR 4 CILINDROS - "13 C"



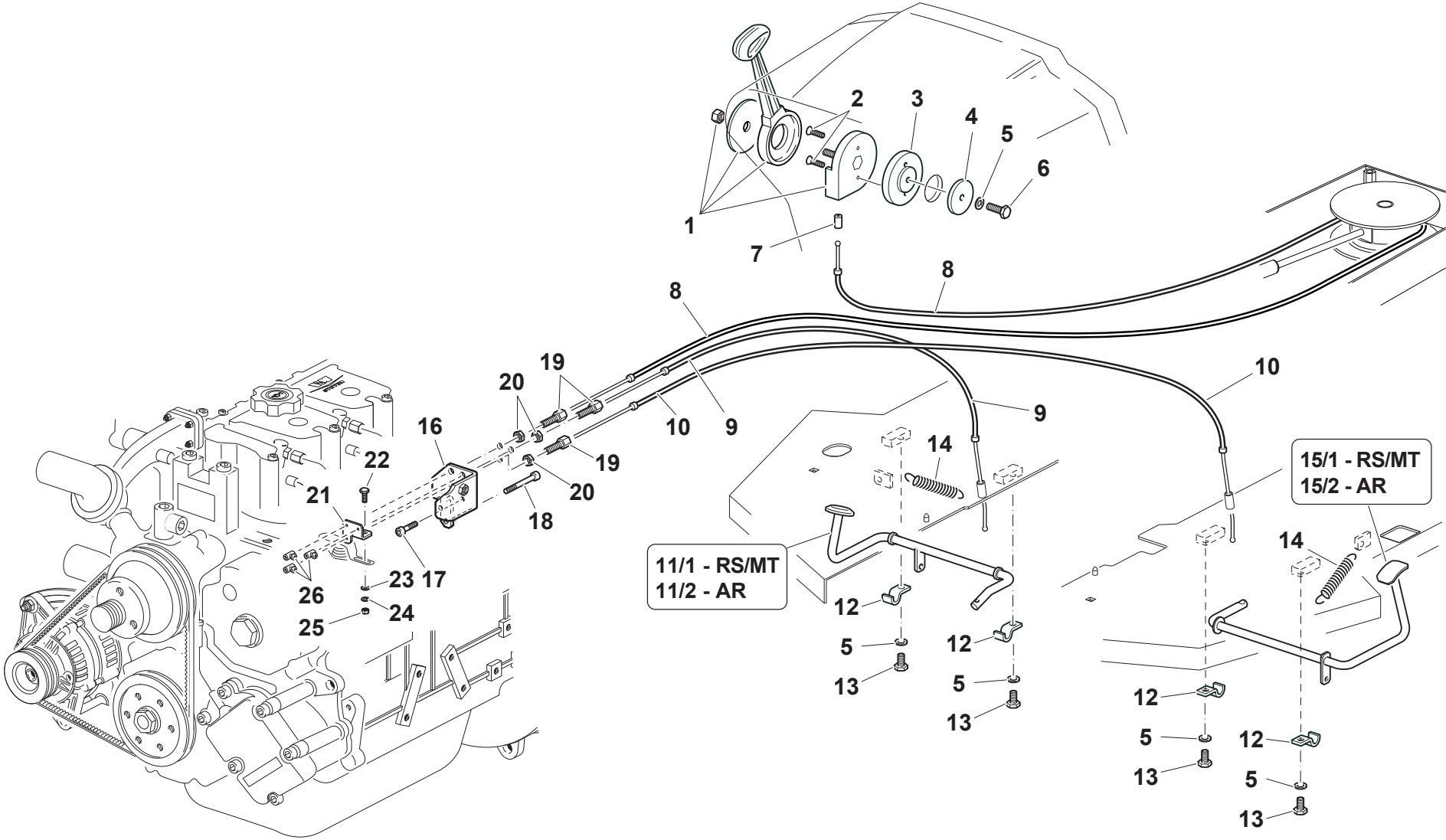
| Pos. | Code        | Q.ty | Description                   | Notes |
|------|-------------|------|-------------------------------|-------|
| 10   | 31112090    | 1    | SCREW TE M6X16 UNI 5739 8G    |       |
| 3    | 31112150    | 6    | SCREW TE M8X20 UNI 5739 8G    |       |
| 20   | 31112152    | 1    | SCREW TE M8X30 UNI 5739 8G    |       |
| 16   | 31112174    | 1    | SCREW TE M8X110 UNI 5737 8.8  |       |
| 24   | 31112210    | 2    | SCREW TE M10X20 UNI 5739      |       |
| 19   | 31112211    | 1    | SCREW TE M10X30 UNI 5739      |       |
| 6    | 31112219    | 4    | SCREW TE M10X25 UNI 5739      |       |
| 12   | 31212060    | 1    | NUT                           |       |
| 22   | 31411090    | 1    | WASHER 9x24                   |       |
| 7    | 31411105    | 2    | WASHER 10,5x21                |       |
| 21   | 31421083    | 1    | WASHER                        |       |
| 1    | 41S50001    | 1    | MOTORE VM D754E1.20A+SFIATO * |       |
| 26   | 56075120    | 1    | BRACKET                       |       |
| 18   | 56174728    | 1    | TENSION ROLLER                |       |
| 5    | 56175189    | 1    | RETAINER                      |       |
| 29   | 58075607    | 1    | OIL PIPE                      |       |
| 1,1  | 58171199    | 1    | OIL FILTER CARTRIDGE          |       |
| 1,2  | 58171200    | 1    | FUEL FILTER CARTRIDGE         |       |
| 23   | 58174612    | 1    | EXHAUST SILENCER              |       |
| 2    | 58174959    | 1    | FAN                           |       |
| 25   | 58175121    | 1    | COLLAR                        |       |
| 13   | 58175773    | 1    | ELECTRONICAL THERMOMETER      |       |
| 27   | 59074624    | 1    | EXHAUST                       |       |
| 15   | 59074727    | 1    | SUPPORT                       |       |
| 1,4  | 59900337    | 1    | BELT                          |       |
| 1,3  | 59900344    | 1    | ALTERNATOR                    |       |
| 1,5  | 59900345    | 1    | CENTRAL PROCESSING UNIT       |       |
| 28   | 59900357    | 1    | DIGITAL INSTRUMENT            |       |
| 17   | F0814574000 | 3    | NUT                           |       |
| 9    | F0814632000 | 3    | NUT M10                       |       |
| 11   | F0843570000 | 1    | WASHER 6                      |       |
| 4    | F0843643060 | 7    | WASHER 8                      |       |
| 8    | F0843755000 | 7    | WASHER 10                     |       |
| 14   | F0844030070 | 1    | COPPER WASHER 16,0x22/1,5     |       |

SERIAL

**ENGINE**

CODE REV

**A.01.02.L50018\_1**

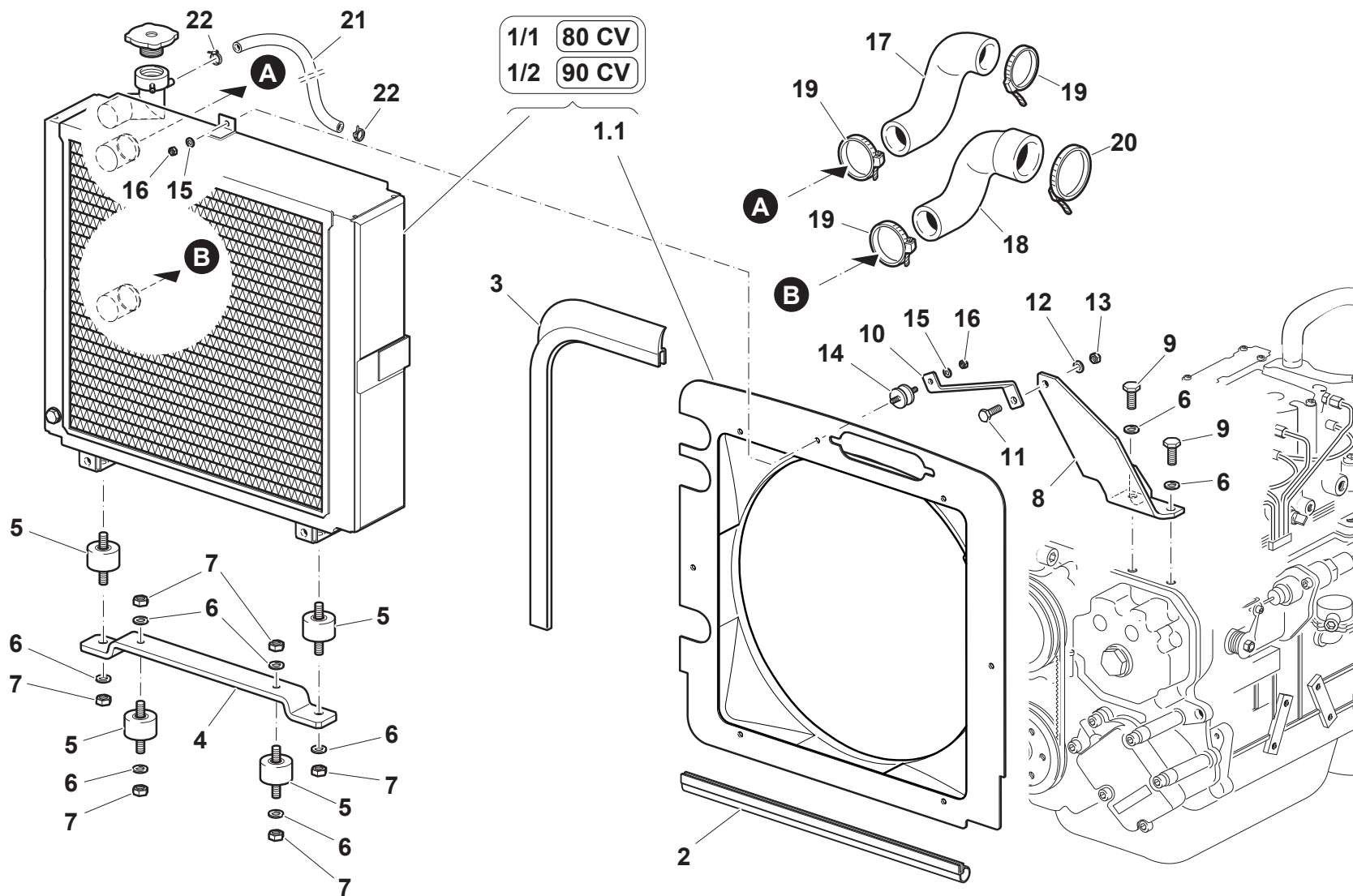


A.02.04.L50021\_0.ai  
A.02.04-0

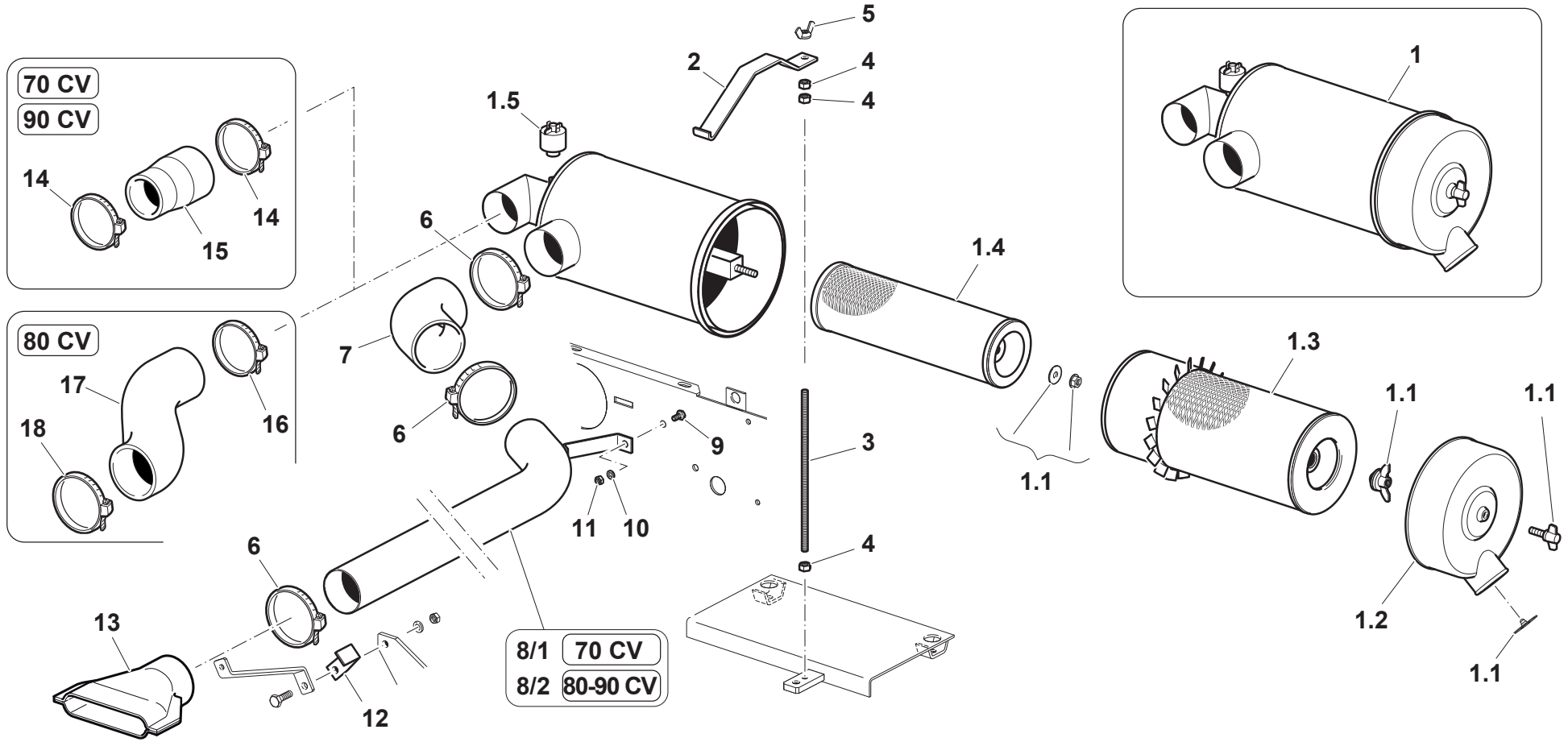


| Pos.  | Code        | Q.ty | Description                | Notes |
|-------|-------------|------|----------------------------|-------|
| 22    | 31112051    | 1    | SCREW TE M5X14 UNI 5739 8G |       |
| 13    | 31112148    | 4    | SCREW TE M8X18 UNI 5739 8G |       |
| 6     | 31112150    | 1    | SCREW TE M8X20 UNI 5739 8G |       |
| 2     | 31132562    | 2    | SCREW TSVEI M6X16 UNI 5933 |       |
| 17    | 31152060    | 1    | SCREW TCEI M6X30 UNI 5931  |       |
| 18    | 31152068    | 1    | SCREW TCEI M6X55 UNI 5931  |       |
| 25    | 31211050    | 1    | NUT M5                     |       |
| 20    | 31231080    | 3    | NUT M8                     |       |
| 23    | 31411053    | 1    | WASHER 5,3x10              |       |
| 12    | 56071768    | 4    | PLATE                      |       |
| 3     | 56171877    | 1    | FLANGE                     |       |
| 4     | 56171883    | 1    | WASHER                     |       |
| 21    | 56174660    | 1    | CONNECTION                 |       |
| 16    | 56174661    | 1    | BRACKET                    |       |
| 26    | 58048002    | 3    | CLAMPING SCREW             |       |
| 9     | 58072074    | 1    | CABLE                      |       |
| 10    | 58072075    | 1    | CABLE                      |       |
| 8     | 58074832    | 1    | CABLE                      |       |
| 11/02 | 59073681    | 1    | ACCEL. PEDAL               |       |
| 15/02 | 59074213    | 1    | ACCEL. PEDAL               |       |
| 11/01 | 59074346    | 1    | ACCEL. PEDAL               |       |
| 15/01 | 59074347    | 1    | ACCEL. PEDAL               |       |
| 1     | F0828029070 | 1    | ACCELERATOR                |       |
| 14    | F0831125000 | 2    | SPRING                     |       |
| 24    | F0843561000 | 1    | WASHER 5                   |       |
| 5     | F0843643060 | 5    | WASHER 8                   |       |
| 19    | F0858021000 | 3    | REGISTER                   |       |
| 7     | F0858520000 | 1    | SLEEVE                     |       |

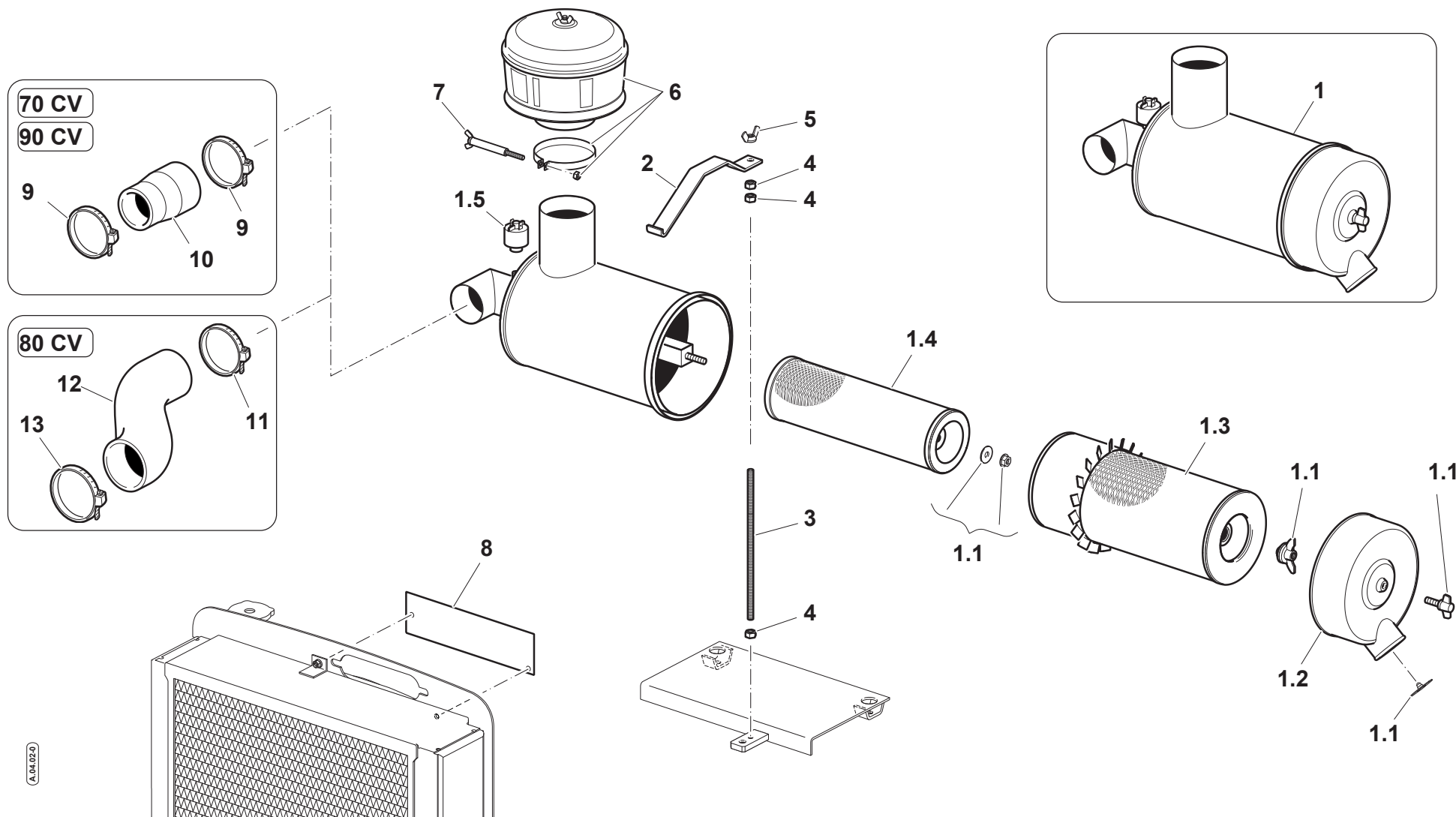
# COOLER



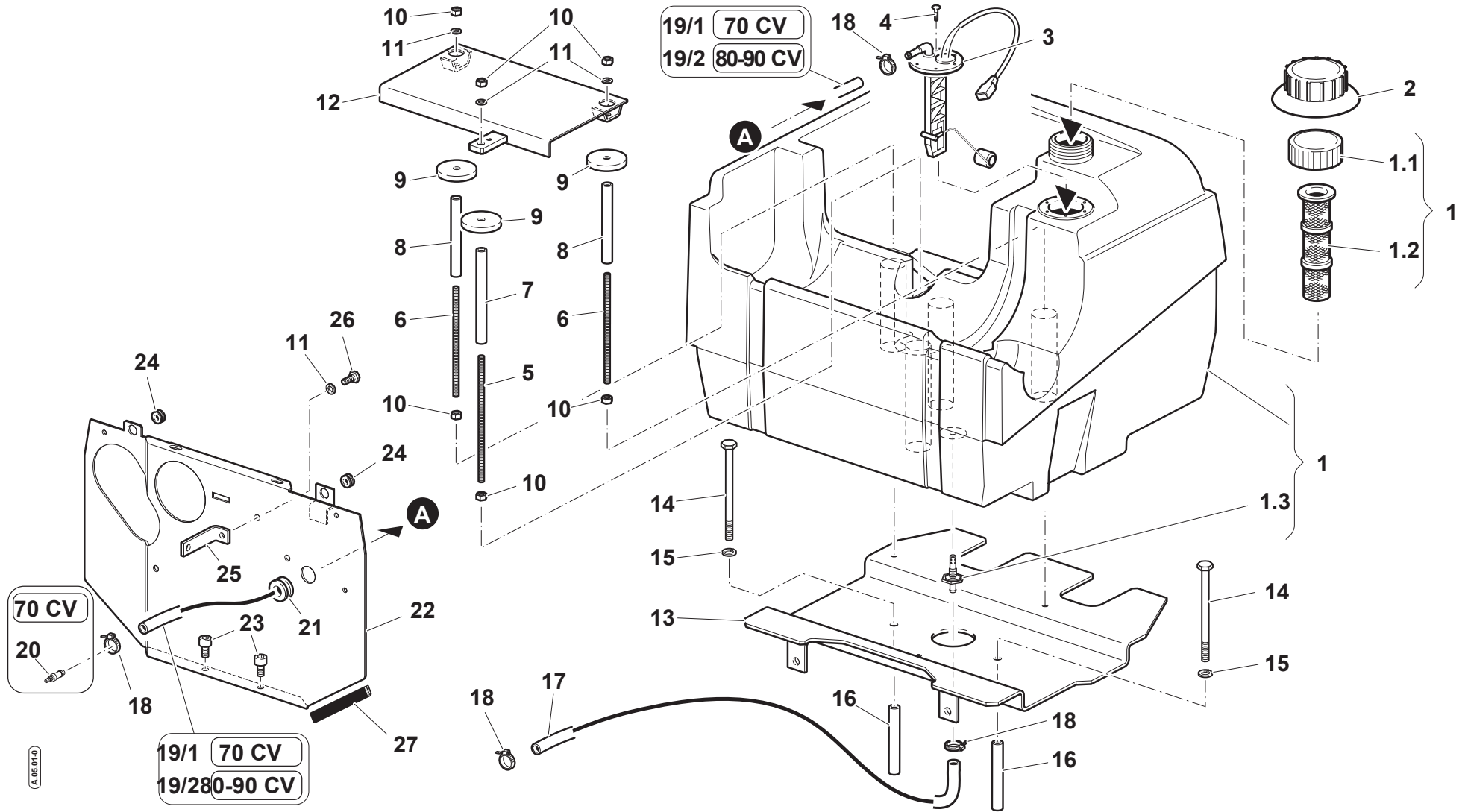
| Pos. | Code          | Q.ty | Description                | Notes |
|------|---------------|------|----------------------------|-------|
| 11   | 31112151      | 1    | SCREW TE M8X25 UNI 5739 8G |       |
| 9    | 31112219      | 2    | SCREW TE M10X25 UNI 5739   |       |
| 17   | 55174632      | 1    | SLEEVE                     |       |
| 18   | 55174633      | 1    | SLEEVE                     |       |
| 4    | 56174629      | 1    | FIXING BRACKET             |       |
| 10   | 56174631      | 1    | FIXING BRACKET             |       |
| 21   | 58074874      | 1    | VENT HOSE                  |       |
| 1/02 | 58174604      | 1    | RADIATOR                   |       |
| 1/01 | 58174605      | 1    | RADIATOR                   |       |
| 5    | 58174608      | 4    | SILENT-BLOCK               |       |
| 1,1  | 58175085      | 1    | DUCT                       |       |
| 8    | 59074630      | 1    | FIXING BRACKET             |       |
| 3    | F0256809050   | 1    | GASKET                     |       |
| 16   | F0814545000   | 2    | NUT M6                     |       |
| 13   | F0814574000   | 1    | NUT                        |       |
| 7    | F0814632000   | 6    | NUT M10                    |       |
| 22   | F0817512000   | 2    | CLAMP                      |       |
| 19   | F0817535000   | 3    | CLAMP                      |       |
| 20   | F0817550000   | 1    | CLAMP                      |       |
| 15   | F0843570000   | 2    | WASHER 6                   |       |
| 12   | F0843643060   | 1    | WASHER 8                   |       |
| 6    | F0843755000   | 8    | WASHER 10                  |       |
| 14   | F0849206005   | 1    | SILENT-BLOCK               |       |
| 2    | P000000260007 | 1    | GASKET                     |       |



| Pos.   | Code        | Q.ty | Description                | Notes |
|--------|-------------|------|----------------------------|-------|
| 9      | 31112082    | 1    | SCREW TE M6X12 UNI 5739 8G |       |
| 5      | 31200501    | 1    | NUT M8                     |       |
| 7      | 55172355    | 1    | SLEEVE                     |       |
| 15     | 55174760    | 1    | SLEEVE                     |       |
| 17     | 55174761    | 1    | SLEEVE                     |       |
| 3      | 56174635    | 1    | ROD                        |       |
| 2      | 56174636    | 1    | FIXING BRACKET             |       |
| 12     | 56174637    | 1    | FIXING BRACKET             |       |
| 13     | 57372341    | 1    | SOCKET                     |       |
| 1,4    | 58171027    | 1    | CARTOUCHE                  |       |
| 1,3    | 58171028    | 1    | CARTOUCHE                  |       |
| 1      | 58172359    | 1    | AIR FILTER                 |       |
| 1,5    | 58173165    | 1    | INDICATOR                  |       |
| 08-feb | 59074638    | 1    | PIPE                       |       |
| 08-gen | 59075190    | 1    | PIPE                       |       |
| 1,2    | 59900347    | 1    | COVER                      |       |
| 1,1    | 59900353    | 1    | KIT                        |       |
| 11     | F0814574000 | 1    | NUT                        |       |
| 4      | F0814574000 | 3    | NUT                        |       |
| 14     | F0817568000 | 2    | CLAMP                      |       |
| 16     | F0817568000 | 1    | CLAMP                      |       |
| 18     | F0817568100 | 1    | CLAMP                      |       |
| 6      | F0817568100 | 3    | CLAMP                      |       |
| 10     | F0843570000 | 1    | WASHER 6                   |       |



| Pos. | Code        | Q.ty | Description    | Notes |
|------|-------------|------|----------------|-------|
| 5    | 31200501    | 1    | NUT M8         |       |
| 10   | 55174760    | 1    | SLEEVE         |       |
| 12   | 55174761    | 1    | SLEEVE         |       |
| 3    | 56174635    | 1    | ROD            |       |
| 2    | 56174636    | 1    | FIXING BRACKET |       |
| 8    | 56174976    | 1    | STRIKER PLATE  |       |
| 1,4  | 58171027    | 1    | CARTOUCHE      |       |
| 1,3  | 58171028    | 1    | CARTOUCHE      |       |
| 6    | 58171069    | 1    | PRECLEANER     |       |
| 1,5  | 58173165    | 1    | INDICATOR      |       |
| 1    | 58175044    | 1    | AIR FILTER     |       |
| 7    | 59073184    | 1    | SCREW          |       |
| 1,2  | 59900347    | 1    | COVER          |       |
| 1,1  | 59900353    | 1    | KIT            |       |
| 4    | F0814574000 | 3    | NUT            |       |
| 11   | F0817568000 | 1    | CLAMP          |       |
| 9    | F0817568000 | 2    | CLAMP          |       |
| 13   | F0817568100 | 1    | CLAMP          |       |





| Pos.   | Code        | Q.ty | Description                  | Notes |
|--------|-------------|------|------------------------------|-------|
| 14     | 31111218    | 2    | SCREW TE M10X140 UNI 5737 8G |       |
| 26     | 31112150    | 1    | SCREW TE M8X20 UNI 5739 8G   |       |
| 1      | 55274314    | 1    | FUEL TANK                    |       |
| 9      | 56170275    | 3    | SPACER                       |       |
| 16     | 56170276    | 2    | SPACER                       |       |
| 20     | 56172950    | 1    | PIPE FITTING                 |       |
| 25     | 56174618    | 1    | FIXING BRACKET               |       |
| 5      | 56174619    | 1    | ROD                          |       |
| 6      | 56174620    | 2    | ROD                          |       |
| 7      | 56174621    | 1    | SPACER                       |       |
| 8      | 56174622    | 2    | SPACER                       |       |
| 1,3    | 57174915    | 1    | PIPE FITTING                 |       |
| 2      | 57371900    | 1    | LINING                       |       |
| 17     | 58070690    | 1    | PIPE                         |       |
| 19-feb | 58074895    | 1    | PIPE                         |       |
| 19-gen | 58075193    | 1    | FLEXIBLE HOSE                |       |
| 3      | 58170238    | 1    | CONTROL                      |       |
| 21     | 58171901    | 1    | CABLE GLAND 15,5-24-32-2     |       |
| 13     | 59072380    | 1    | SUPPORT                      |       |
| 22     | 59074617    | 1    | DIVISION                     |       |
| 12     | 59074639    | 1    | BATTERY SUPPORT              |       |
| 27     | F0256808000 | 1    | FLAT BAND                    |       |
| 10     | F0814574000 | 6    | NUT                          |       |
| 18     | F0817512000 | 4    | CLAMP                        |       |
| 24     | F0825414000 | 2    | CABLE GLAND 7-15-18,5-2,5    |       |
| 11     | F0843643060 | 4    | WASHER 8                     |       |
| 15     | F0843755000 | 2    | WASHER 10                    |       |
| 1,1    | F0849500001 | 1    | TANK COVER                   |       |
| 1,2    | F0849500002 | 1    | FILTER                       |       |
| 4      | F0861867050 | 6    | SCREW M4,2X19 DIN 7981       |       |
| 23     | F0862464050 | 2    | SCREW UNI 5931               |       |

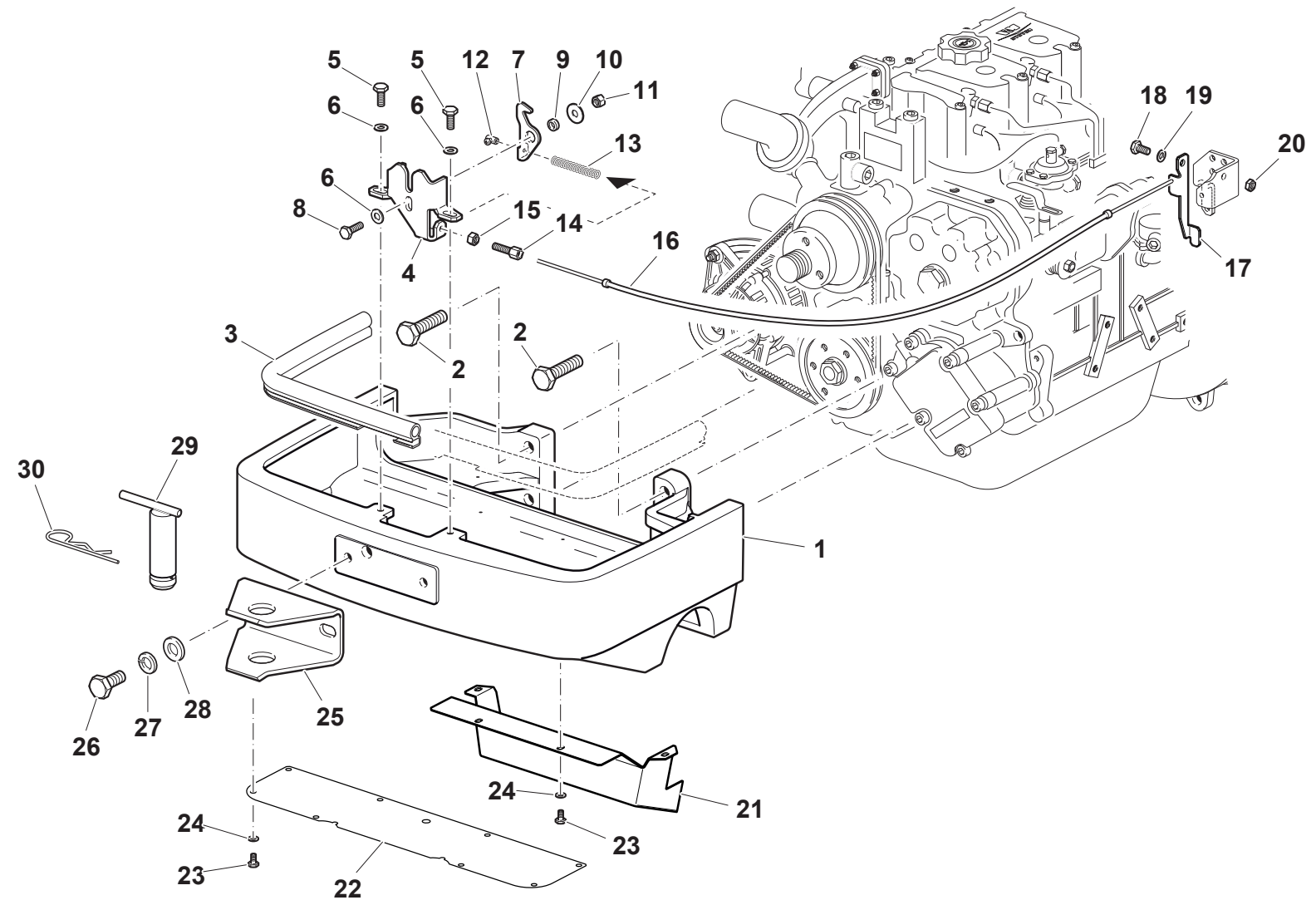
SERIAL

**FUEL TANK**

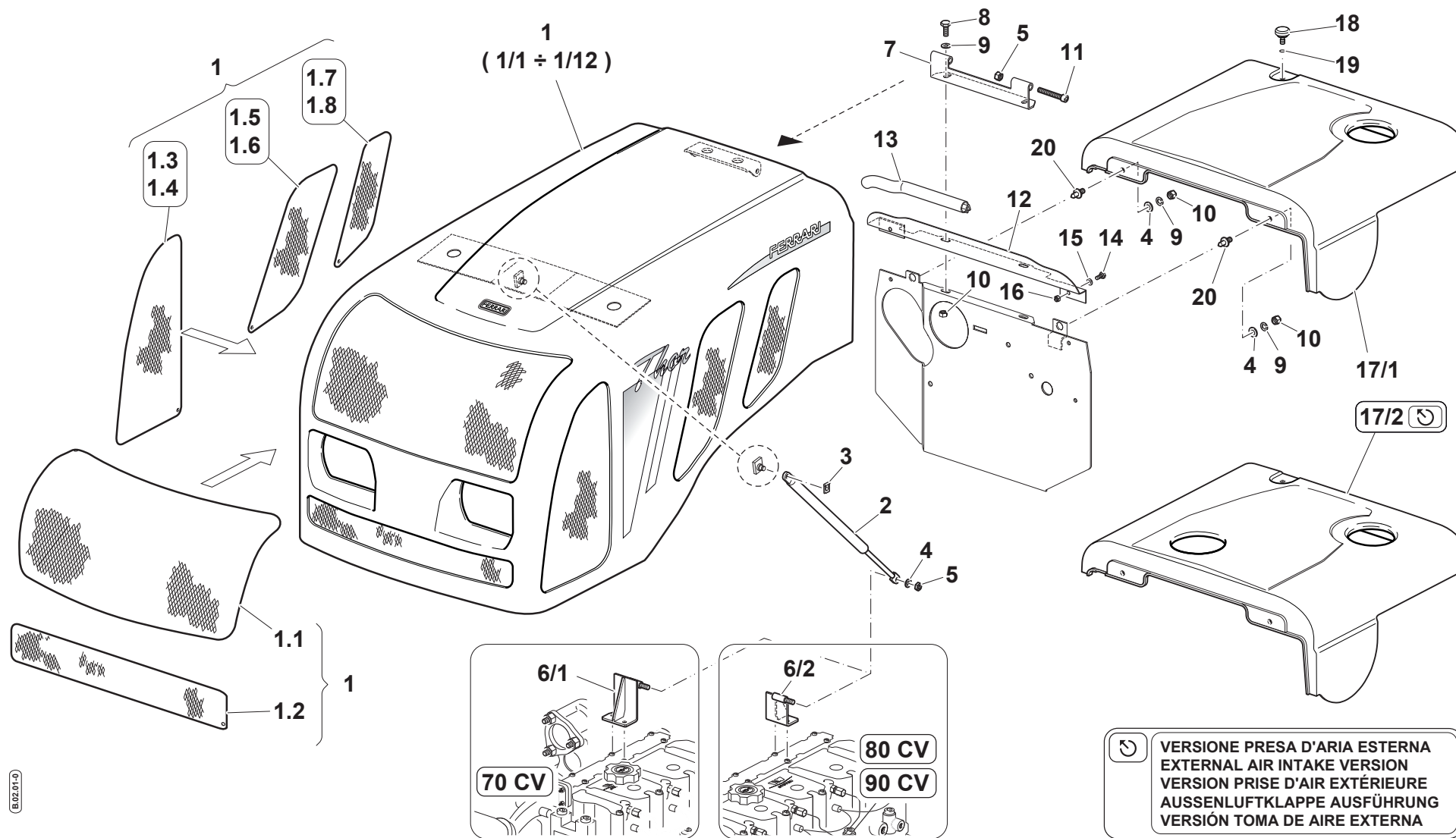
CODE REV

**A.05.01.L50017\_0**

# FRONT SUPPORT



| Pos. | Code        | Q.ty | Description                | Notes |
|------|-------------|------|----------------------------|-------|
| 18   | 31111151    | 1    | SCREW TE M8X16 UNI 5739 8G |       |
| 2    | 31111331    | 4    | SCREW TE M14X50 UNI5739 8G |       |
| 23   | 31112082    | 12   | SCREW TE M6X12 UNI 5739 8G |       |
| 5    | 31112150    | 2    | SCREW TE M8X20 UNI 5739 8G |       |
| 8    | 31112151    | 1    | SCREW TE M8X25 UNI 5739 8G |       |
| 26   | 31112328    | 2    | SCREW TE M14X35 UNI 5739   |       |
| 15   | 31231080    | 1    | NUT M8                     |       |
| 11   | 31241080    | 1    | HEXAGON SELFLOCK NUT M8    |       |
| 6    | 31411084    | 3    | WASHER 8,4x17              |       |
| 10   | 31411090    | 1    | WASHER 9x24                |       |
| 28   | 31411150    | 2    | WASHER 15x28               |       |
| 1    | 51175800    | 1    | FRONT SUPPORT              |       |
| 4    | 56174657    | 1    | FIXING BRACKET             |       |
| 7    | 56174658    | 1    | HOOD HOOK                  |       |
| 9    | 56174659    | 1    | SPACER                     |       |
| 17   | 56174691    | 1    | LEVER                      |       |
| 25   | 56174873    | 1    | TOW HOOK                   |       |
| 21   | 56175158    | 1    | SHIELD                     |       |
| 22   | 56175799    | 1    | DIVISION                   |       |
| 12   | 58048002    | 1    | CLAMPING SCREW             |       |
| 16   | 58074831    | 1    | CABLE                      |       |
| 3    | 58174882    | 1    | HOOD SEAL                  |       |
| 29   | 59075283    | 1    | PIN                        |       |
| 20   | F0814569000 | 1    | NUT                        |       |
| 13   | F0831065000 | 1    | SPRING                     |       |
| 24   | F0843570000 | 12   | WASHER 6                   |       |
| 19   | F0843643060 | 1    | WASHER 8                   |       |
| 27   | F0843921030 | 2    | WASHER 14                  |       |
| 30   | F0851497000 | 1    | SPLIT PIN                  |       |
| 14   | F0858021000 | 1    | REGISTER                   |       |



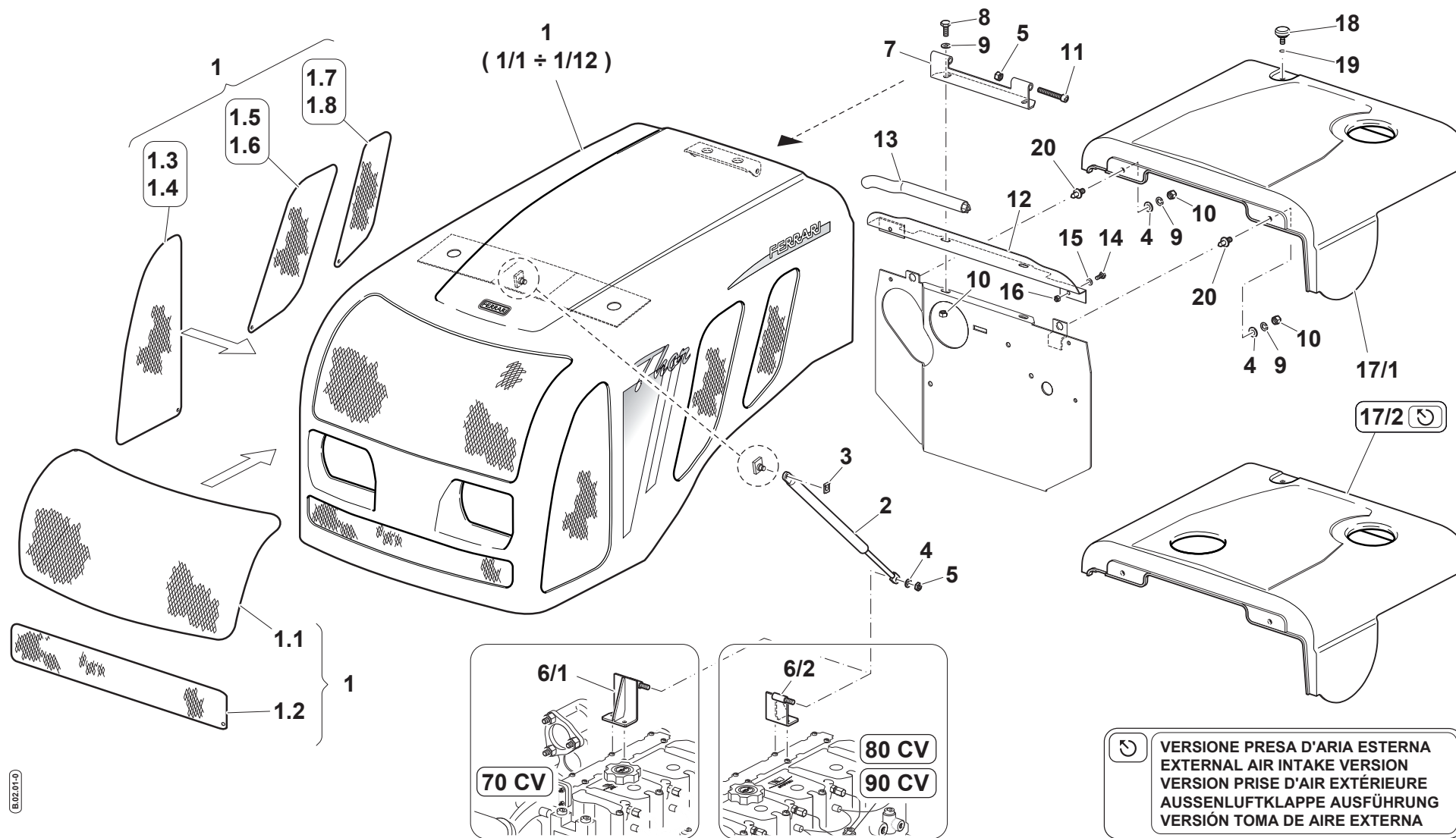
| Pos.   | Code     | Q.ty | Description                | Notes |
|--------|----------|------|----------------------------|-------|
| 14     | 31111091 | 2    | SCREW E M6X14 UNI 5739 8G  |       |
| 8      | 31112150 | 2    | SCREW TE M8X20 UNI 5739 8G |       |
| 11     | 31152088 | 2    | SCREW TCEI M8X55 UNI 5931  |       |
| 16     | 31212060 | 2    | NUT                        |       |
| 4      | 31411084 | 3    | WASHER 8,4x17              |       |
| 19     | 35211060 | 1    | SEEGER RING                |       |
| 1,1    | 56174569 | 1    | FRONT GRILL                |       |
| 1,3    | 56174647 | 1    | FRONT GRILL                |       |
| 1,4    | 56174648 | 1    | FRONT GRILL                |       |
| 1,2    | 56174649 | 1    | FRONT GRILL                |       |
| 1,5    | 56174650 | 1    | FRONT GRILL                |       |
| 1,7    | 56174651 | 1    | FRONT GRILL                |       |
| 7      | 56174654 | 1    | BRACKET                    |       |
| 12     | 56174656 | 1    | HOLDING                    |       |
| 18     | 56174835 | 1    | KNOB                       |       |
| 1,8    | 56175364 | 1    | FRONT GRILL                |       |
| 1,6    | 56175365 | 1    | FRONT GRILL                |       |
| 17-gen | 57374554 | 1    | COVER                      |       |
| 17-feb | 57374977 | 1    | COVER                      |       |
| 3      | 58170436 | 1    | CLIP                       |       |
| 20     | 59074662 | 2    | PIN                        |       |
| 06-feb | 59075601 | 1    | BRACKET                    |       |
| 06-gen | 59075602 | 1    | BRACKET                    |       |
| 01-gen | 59900298 | 1    | COMPLETE HOOD              |       |
| 01-feb | 59900299 | 1    | COMPLETE HOOD              |       |
| 01-mar | 59900300 | 1    | COMPLETE HOOD              |       |
| 01-apr | 59900301 | 1    | COMPLETE HOOD              |       |
| 01-mag | 59900302 | 1    | COMPLETE HOOD              |       |
| 01-giu | 59900303 | 1    | COMPLETE HOOD              |       |
| 01-lug | 59900304 | 1    | COMPLETE HOOD              |       |
| 01-set | 59900306 | 1    | COMPLETE HOOD              |       |
| 01-gen | 59900307 | 1    | COMPLETE HOOD              |       |
| 1/011  | 59900308 | 1    | COMPLETE HOOD              |       |
| 1/012  | 59900309 | 1    | COMPLETE HOOD              |       |

SERIAL

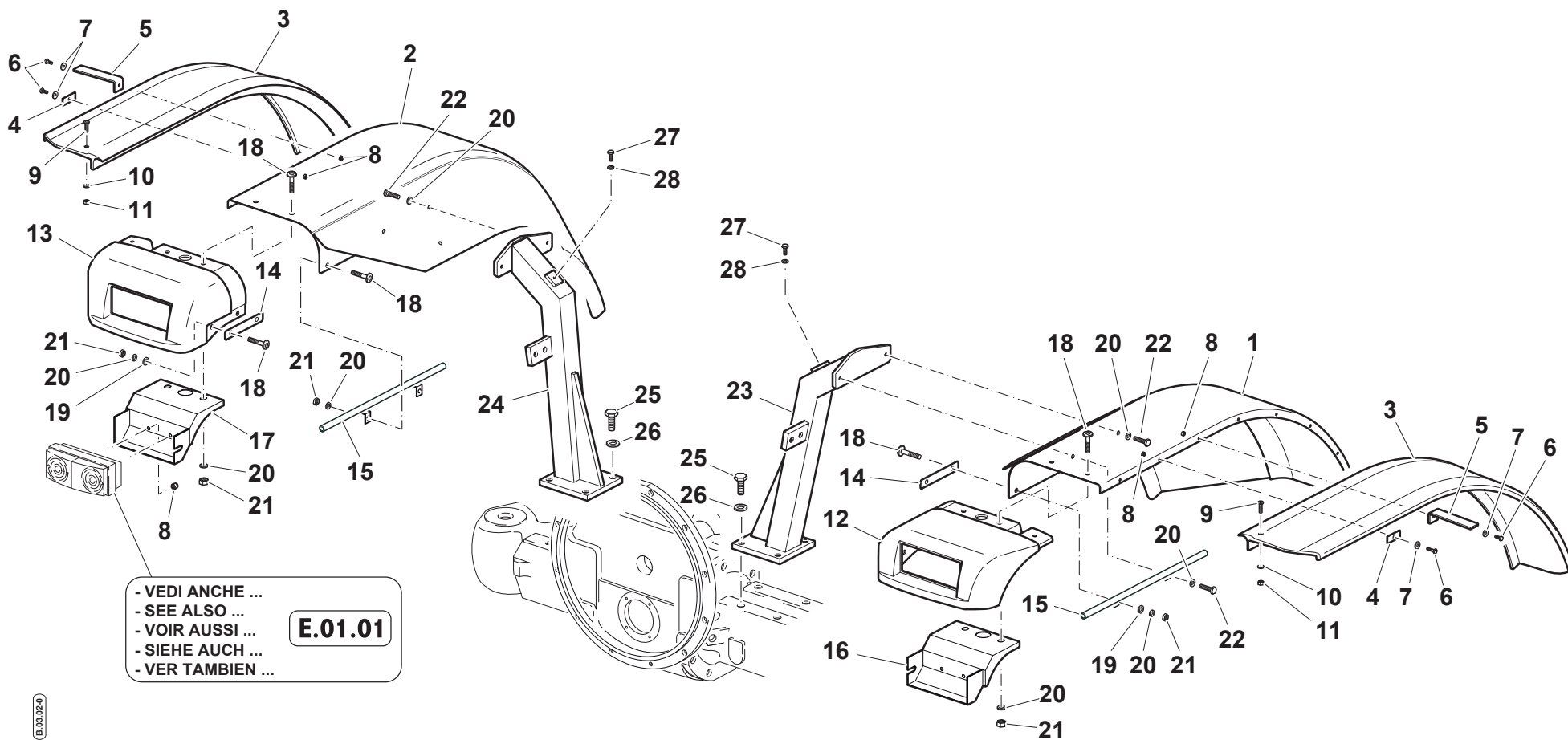
**BONNET**

CODE REV

**B.02.01.L50017\_0**



| Pos. | Code          | Q.ty | Description  | Notes |
|------|---------------|------|--------------|-------|
| 10   | F0814574000   | 4    | NUT          |       |
| 5    | F0814585000   | 3    | SELFLOCK NUT |       |
| 15   | F0843570000   | 2    | WASHER 6     |       |
| 9    | F0843643060   | 4    | WASHER 8     |       |
| 13   | P000000260007 | 1    | GASKET       |       |
| 2    | P236410000000 | 1    | SPRING       |       |

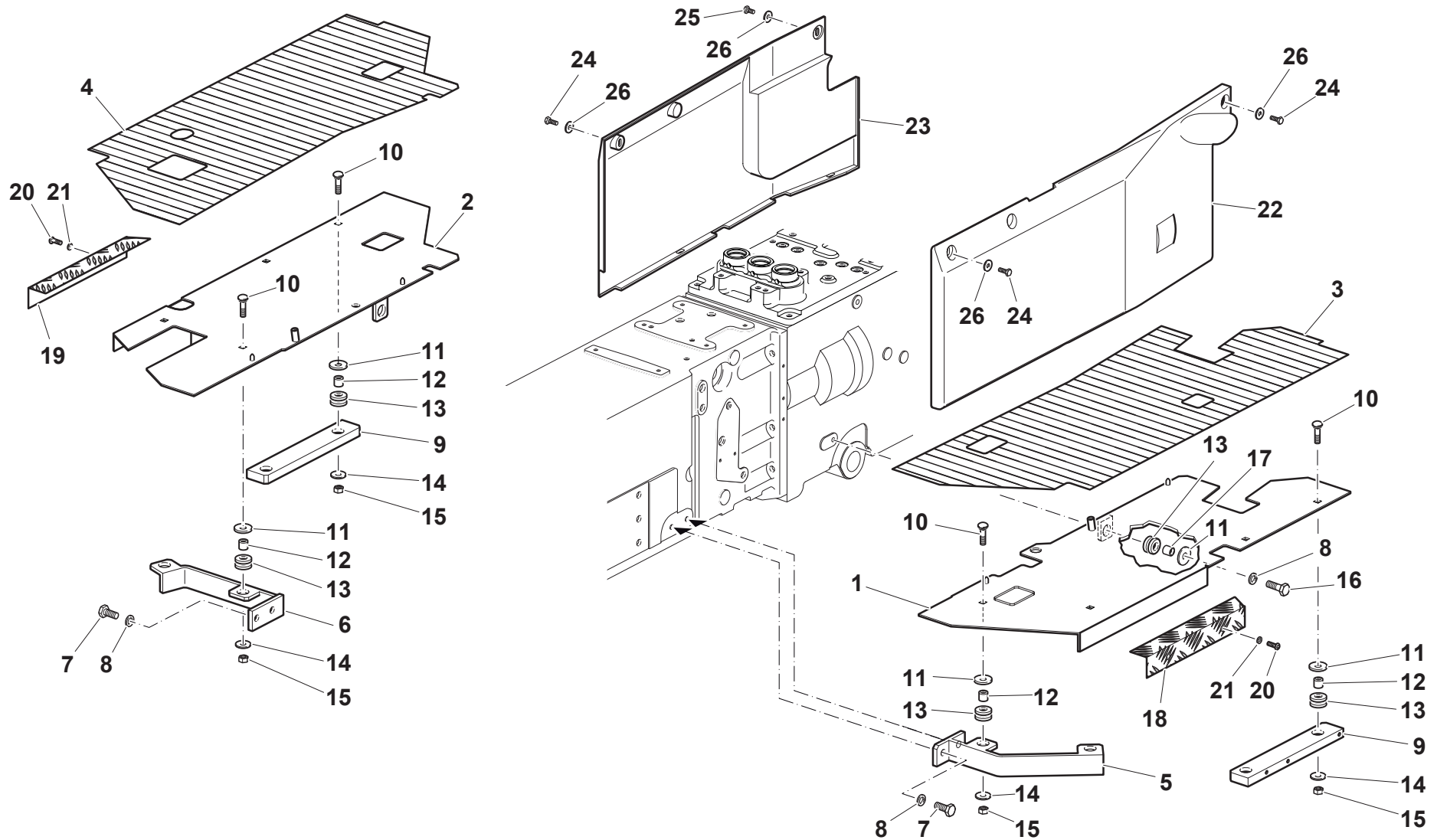


- VEDI ANCHE ...  
 - SEE ALSO ...  
 - VOIR AUSSI ...  
 - SIEHE AUCH ...  
 - VER TAMBIEN ...

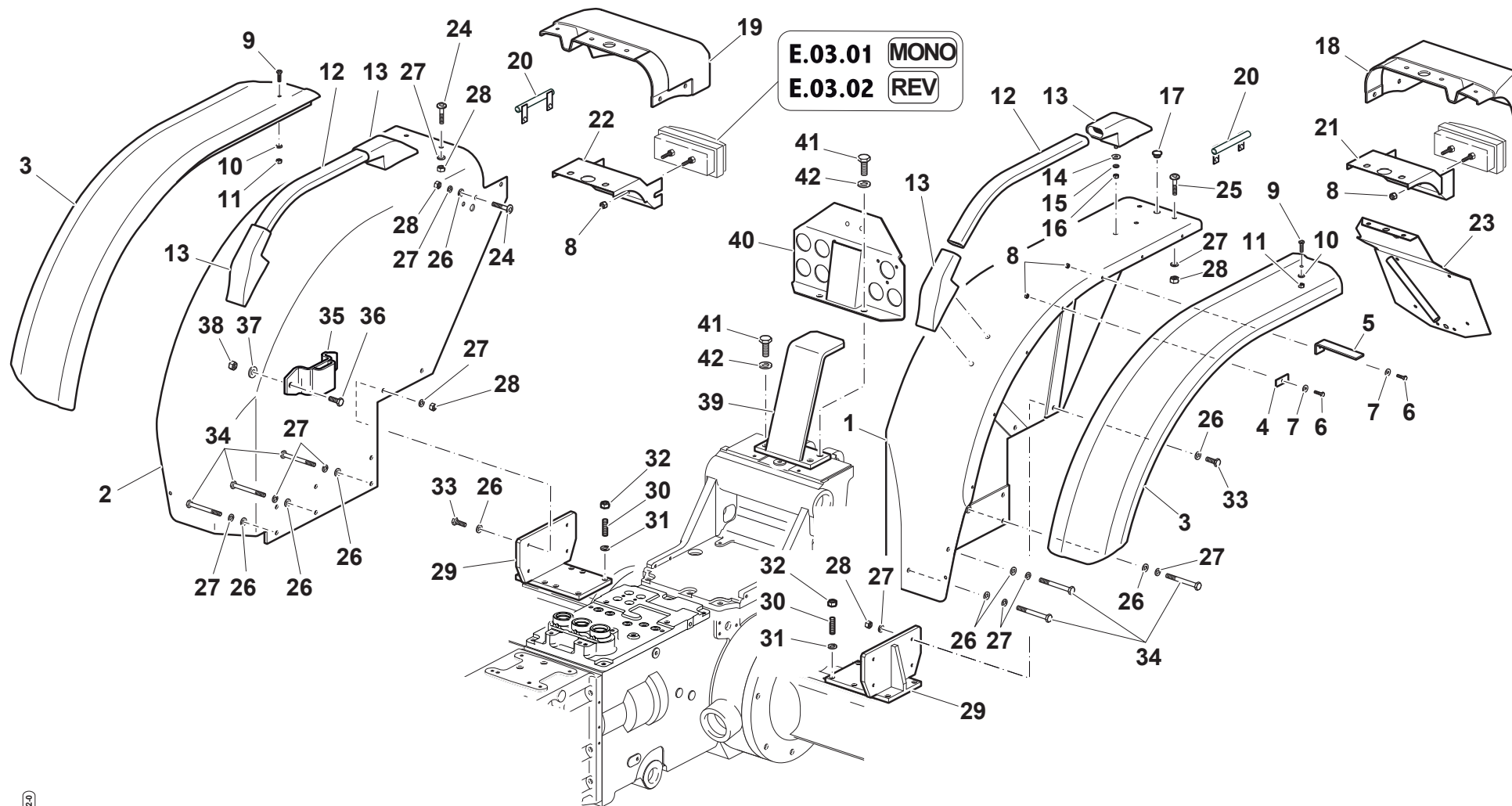
**E.01.01**



| Pos. | Code        | Q.ty | Description                | Notes |
|------|-------------|------|----------------------------|-------|
| 27   | 31111091    | 2    | SCREW E M6X14 UNI 5739 8G  |       |
| 6    | 31112060    | 16   | SCREW M5X20 UNI 5739 8G    |       |
| 22   | 31112152    | 4    | SCREW TE M8X30 UNI 5739 8G |       |
| 25   | 31112272    | 8    | SCREW TE M12X30 UNI 5739   |       |
| 8    | 31241051    | 20   | SELFLOCK NUT M5            |       |
| 7    | 31411054    | 16   | WASHER 5,3X15              |       |
| 10   | 31411064    | 2    | WASHER 6,4x12,5            |       |
| 19   | 31411084    | 4    | WASHER 8,4x17              |       |
| 14   | 56174135    | 2    | FIXING BRACKET             |       |
| 4    | 56175177    | 12   | FIXING PLATE               |       |
| 5    | 56175682    | 4    | SUPPORTING YOKE            |       |
| 12   | 57374926    | 1    | SUPPORT                    |       |
| 13   | 57374927    | 1    | SUPPORT                    |       |
| 3    | 58075175    | 2    | WING EXTENSION             |       |
| 15   | 59074729    | 2    | CABLE BARRIER RAIL         |       |
| 23   | 59074972    | 1    | WING HOLDER                |       |
| 24   | 59074973    | 1    | WING HOLDER                |       |
| 1    | 59075061    | 1    | LEFT FRONT FENDER          |       |
| 2    | 59075062    | 1    | RIGHT FRONT FENDER         |       |
| 16   | 59075078    | 1    | SUPPORT                    |       |
| 17   | 59075079    | 1    | SUPPORT                    |       |
| 11   | F0814547000 | 2    | SELFLOCK NUT M6            |       |
| 21   | F0814573000 | 8    | NUT M8                     |       |
| 28   | F0843570000 | 2    | WASHER 6                   |       |
| 20   | F0843643060 | 16   | WASHER 8                   |       |
| 26   | F0843843060 | 8    | WASHER 12                  |       |
| 18   | F0862479030 | 8    | SCREW                      |       |
| 9    | F0862479040 | 2    | SCREW M6X20 7380           |       |



| Pos. | Code        | Q.ty | Description              | Notes |
|------|-------------|------|--------------------------|-------|
| 16   | 31112211    | 2    | SCREW TE M10X30 UNI 5739 |       |
| 7    | 31112219    | 4    | SCREW TE M10X25 UNI 5739 |       |
| 10   | 31122804    | 8    | SCREW                    |       |
| 26   | 31411066    | 4    | WASHER 6,6x18            |       |
| 14   | 31411090    | 8    | WASHER 9x24              |       |
| 13   | 55175174    | 10   | BLOCK                    |       |
| 17   | 56171954    | 2    | SPACER                   |       |
| 12   | 56171996    | 8    | SPACER                   |       |
| 9    | 56174963    | 2    | SUPPORT                  |       |
| 19   | 57275049    | 1    | ANGULAR                  |       |
| 18   | 57275050    | 1    | ANGULAR                  |       |
| 22   | 57374533    | 1    | GUARD                    |       |
| 23   | 57374536    | 1    | GUARD                    |       |
| 3    | 57375057    | 1    | FOOTREST COVER           |       |
| 4    | 57375058    | 1    | FOOTREST COVER           |       |
| 6    | 59073674    | 1    | SUPPORT                  |       |
| 5    | 59074351    | 1    | SUPPORT                  |       |
| 1    | 59074960    | 1    | LEFT FOOTBOARD           |       |
| 2    | 59074961    | 1    | RIGHT FOOTBOARD          |       |
| 15   | F0814574000 | 8    | NUT                      |       |
| 21   | F0843570000 | 4    | WASHER 6                 |       |
| 8    | F0843755000 | 6    | WASHER 10                |       |
| 11   | F0843818000 | 10   | WASHER                   |       |
| 25   | F0862479034 | 1    | SCREW M6X12 7380         |       |
| 20   | F0862479035 | 4    | SCREW                    |       |
| 24   | F0862479035 | 3    | SCREW                    |       |



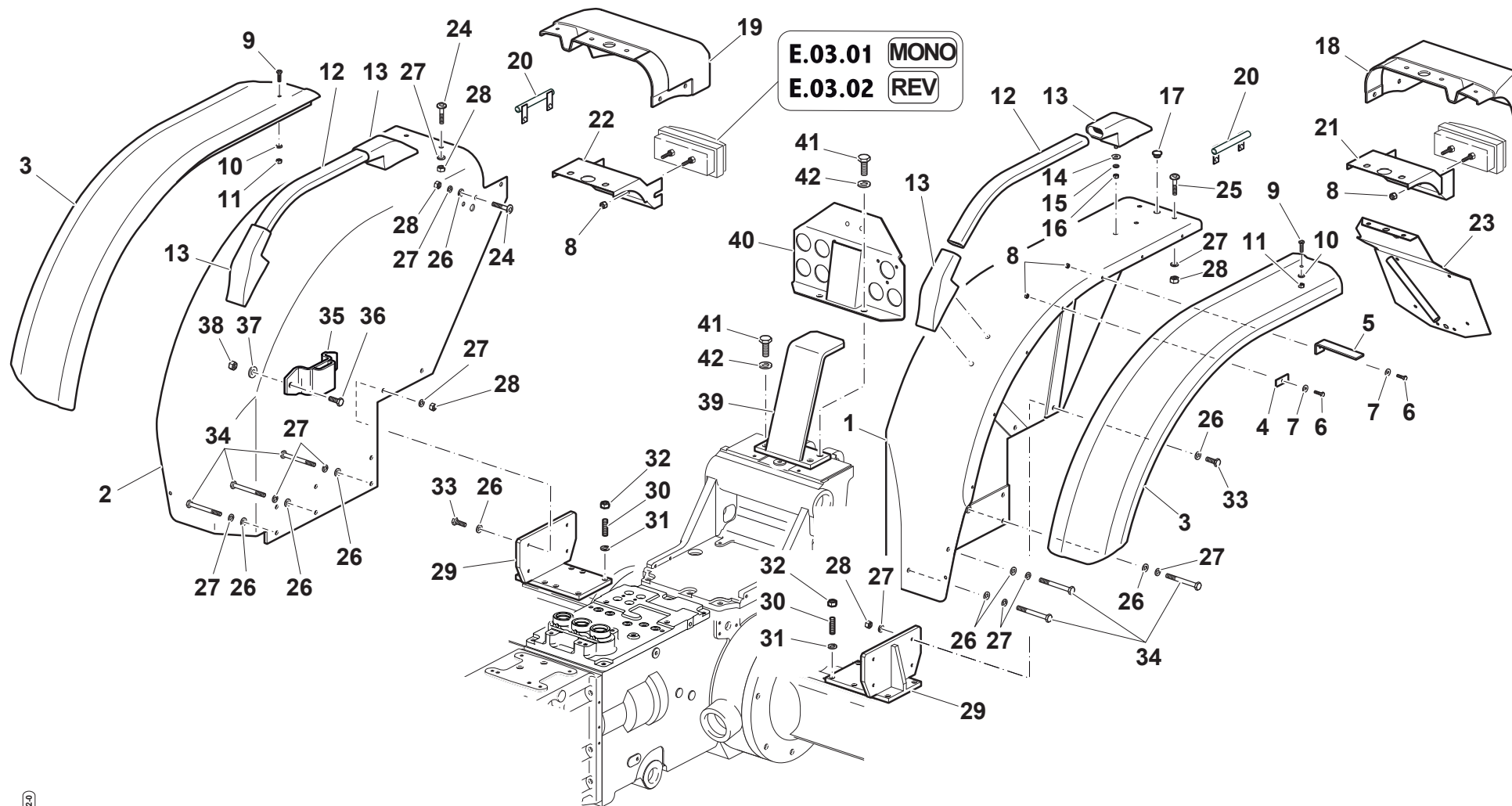
| Pos. | Code        | Q.ty | Description                | Notes |
|------|-------------|------|----------------------------|-------|
| 6    | 31112060    | 14   | SCREW M5X20 UNI 5739 8G    |       |
| 33   | 31112151    | 4    | SCREW TE M8X25 UNI 5739 8G |       |
| 34   | 31112162    | 6    | SCREW TE M8X80 UNI 5737 8G |       |
| 36   | 31112208    | 2    | SCREW TE M10X16 UNI 5739   |       |
| 41   | 31112272    | 4    | SCREW TE M12X30 UNI 5739   |       |
| 16   | 31211060    | 8    | HEXAGONAL NUT M8           |       |
| 38   | 31212100    | 2    | NUT M10                    |       |
| 8    | 31241051    | 18   | SELFLOCK NUT M5            |       |
| 30   | 31311062    | 8    | STUD BOLT M10X35 UNI5911   |       |
| 7    | 31411054    | 14   | WASHER 5,3X15              |       |
| 10   | 31411064    | 2    | WASHER 6,4x12,5            |       |
| 14   | 31411066    | 8    | WASHER 6,6x18              |       |
| 26   | 31411084    | 14   | WASHER 8,4x17              |       |
| 37   | 31411105    | 2    | WASHER 10,5x21             |       |
| 13   | 55072935    | 4    | SUPPORT                    |       |
| 12   | 56174337    | 2    | MUDGUARD HANDLE            |       |
| 4    | 56175177    | 10   | FIXING PLATE               |       |
| 5    | 56175682    | 4    | SUPPORTING YOKE            |       |
| 19   | 57374926    | 1    | SUPPORT                    |       |
| 18   | 57374927    | 1    | SUPPORT                    |       |
| 3    | 58075176    | 2    | WING EXTENSION             |       |
| 17   | 58170984    | 1    | PLASTIC PLUG               |       |
| 35   | 59070592    | 1    | LEVER BEARING              |       |
| 29   | 59071154    | 2    | WING HOLDER                |       |
| 40   | 59072238    | 1    | CONNECTION                 |       |
| 20   | 59074391    | 2    | CABLE BARRIER RAIL         |       |
| 1    | 59074671    | 1    | LEFT REAR FENDER           |       |
| 2    | 59074672    | 1    | RIGHT REAR FENDER          |       |
| 39   | 59074929    | 1    | BRACKET                    |       |
| 22   | 59075078    | 1    | SUPPORT                    |       |
| 21   | 59075079    | 1    | SUPPORT                    |       |
| 23   | 59075081    | 1    | LICENCE PLATE HOLD         |       |
| 11   | F0814547000 | 2    | SELFLOCK NUT M6            |       |
| 28   | F0814573000 | 11   | NUT M8                     |       |

SERIAL

**REAR MUDGUARDS**

CODE REV

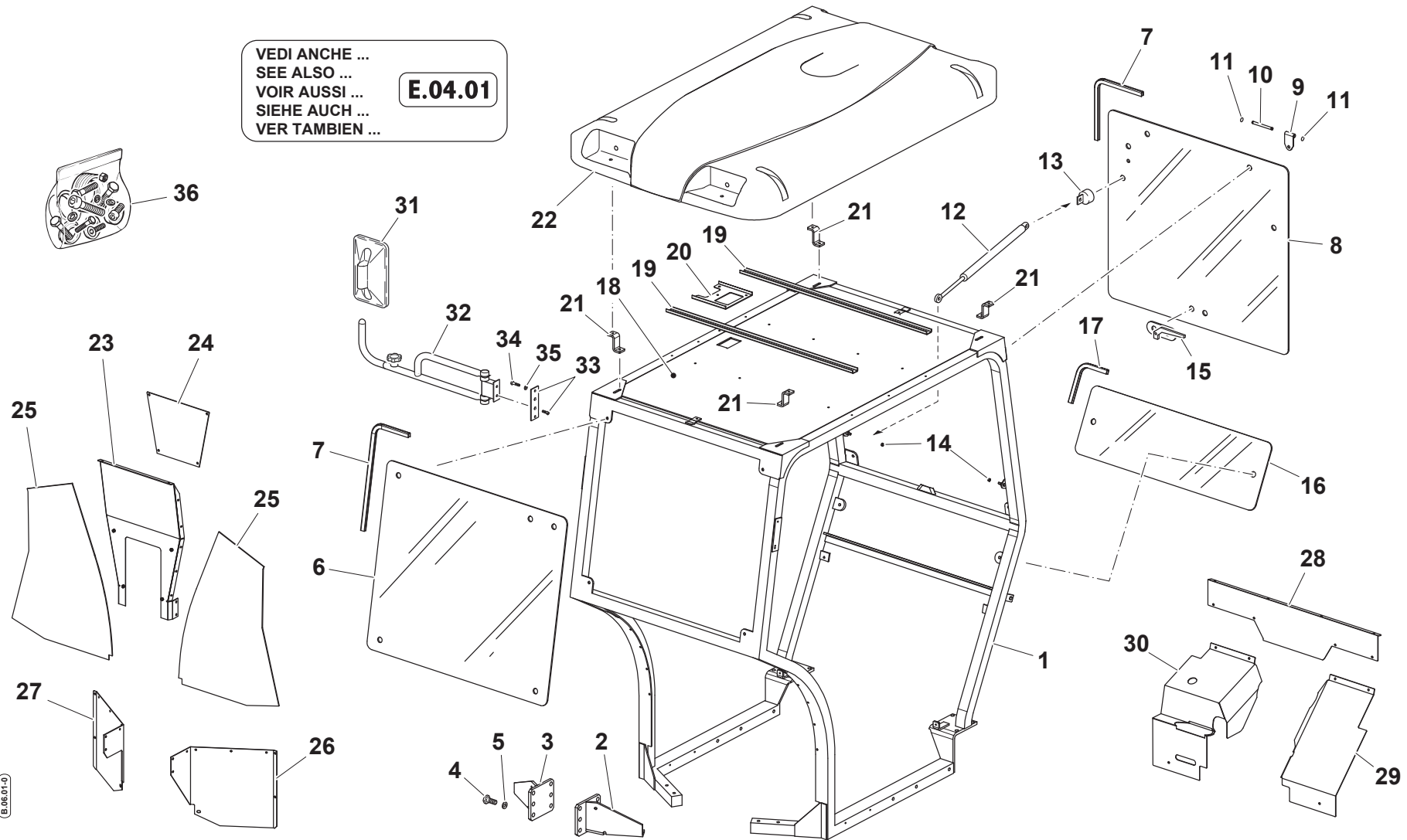
**B.05.02.L50023\_0**



| Pos. | Code        | Q.ty | Description      | Notes |
|------|-------------|------|------------------|-------|
| 32   | F0814632000 | 8    | NUT M10          |       |
| 15   | F0843570000 | 8    | WASHER 6         |       |
| 27   | F0843643060 | 18   | WASHER 8         |       |
| 31   | F0843755000 | 8    | WASHER 10        |       |
| 42   | F0843843060 | 4    | WASHER 12        |       |
| 24   | F0862479030 | 6    | SCREW            |       |
| 25   | F0862479032 | 2    | SCREW M8X25 7380 |       |
| 9    | F0862479040 | 2    | SCREW M6X20 7380 |       |

VEDI ANCHE ...  
 SEE ALSO ...  
 VOIR AUSSI ...  
 SIEHE AUCH ...  
 VER TAMBEN ...

**E.04.01**





| Pos. | Code        | Q.ty | Description                | Notes |
|------|-------------|------|----------------------------|-------|
| 34   | 31112089    | 4    | SCREW TE M6X25 UNI 5739 8G |       |
| 11   | 35211060    | 4    | SEEGER RING                |       |
| 10   | 56071681    | 2    | HINGE PIN                  |       |
| 9    | 56171106    | 2    | BRACKET                    |       |
| 26   | 56174934    | 1    | FRONT DEFLECTOR            |       |
| 27   | 56174937    | 1    | FRONT DEFLECTOR            |       |
| 28   | 56174940    | 1    | COVER                      |       |
| 30   | 56174943    | 1    | COVER                      |       |
| 29   | 56174946    | 1    | COVER                      |       |
| 24   | 56174949    | 1    | COVER                      |       |
| 21   | 56174957    | 4    | FIXING BRACKET             |       |
| 19   | 56175048    | 2    | BRACE                      |       |
| 20   | 56175346    | 1    | BRACKET                    |       |
| 25   | 57374952    | 2    | SHIELD                     |       |
| 22   | 57374954    | 1    | ROOF LINING                |       |
| 18   | 57375047    | 1    | FASTENER                   |       |
| 16   | 58070857    | 1    | GLASS                      |       |
| 8    | 58071104    | 1    | GLASS                      |       |
| 6    | 58074953    | 1    | FRONT GLASS                |       |
| 32   | 58171053    | 2    | ARM                        |       |
| 33   | 58171054    | 2    | PLATE                      |       |
| 31   | 58171066    | 2    | REAR VIEW MIRROR           |       |
| 13   | 58171114    | 2    | KIT                        |       |
| 15   | 58171115    | 1    | FASTENER                   |       |
| 7    | 58171218    | 2    | GLASS GASKET               |       |
| 17   | 58171220    | 1    | GLASS GASKET               |       |
| 12   | 58171868    | 2    | SPRING                     |       |
| 1    | 59074930    | 1    | SAFETY FRAME               |       |
| 23   | 59074931    | 1    | FRONT DEFLECTOR            |       |
| 2    | 59074964    | 1    | LEFT BRACKET               |       |
| 3    | 59074965    | 1    | RIGHT YOKE                 |       |
| 36   | 59900363    | 1    | KIT                        |       |
| 14   | F0814547000 | 2    | SELFLOCK NUT M6            |       |
| 35   | F0843570000 | 4    | WASHER 6                   |       |

SERIAL

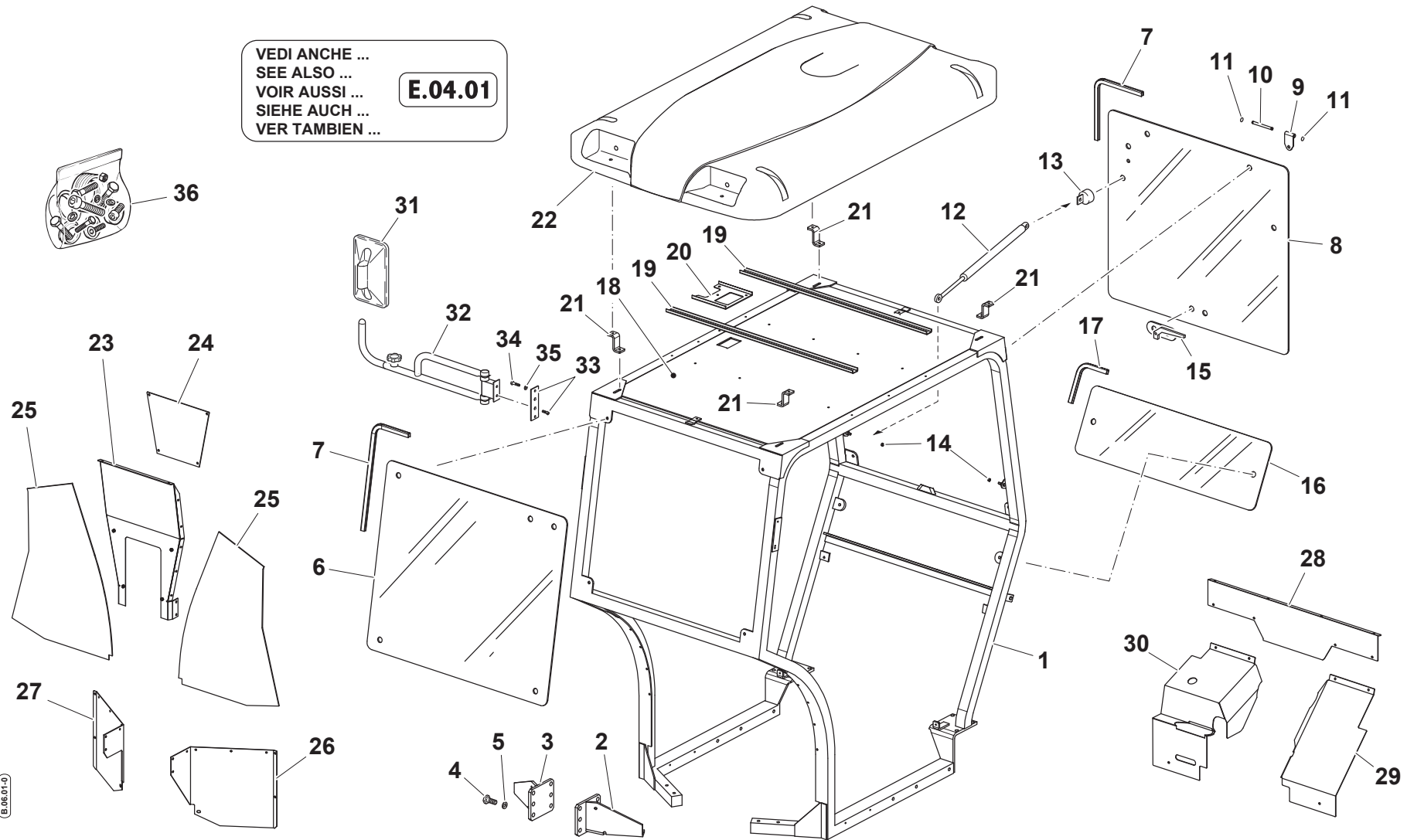
**MT FRAME - STRUCTURAL PARTS**

CODE REV

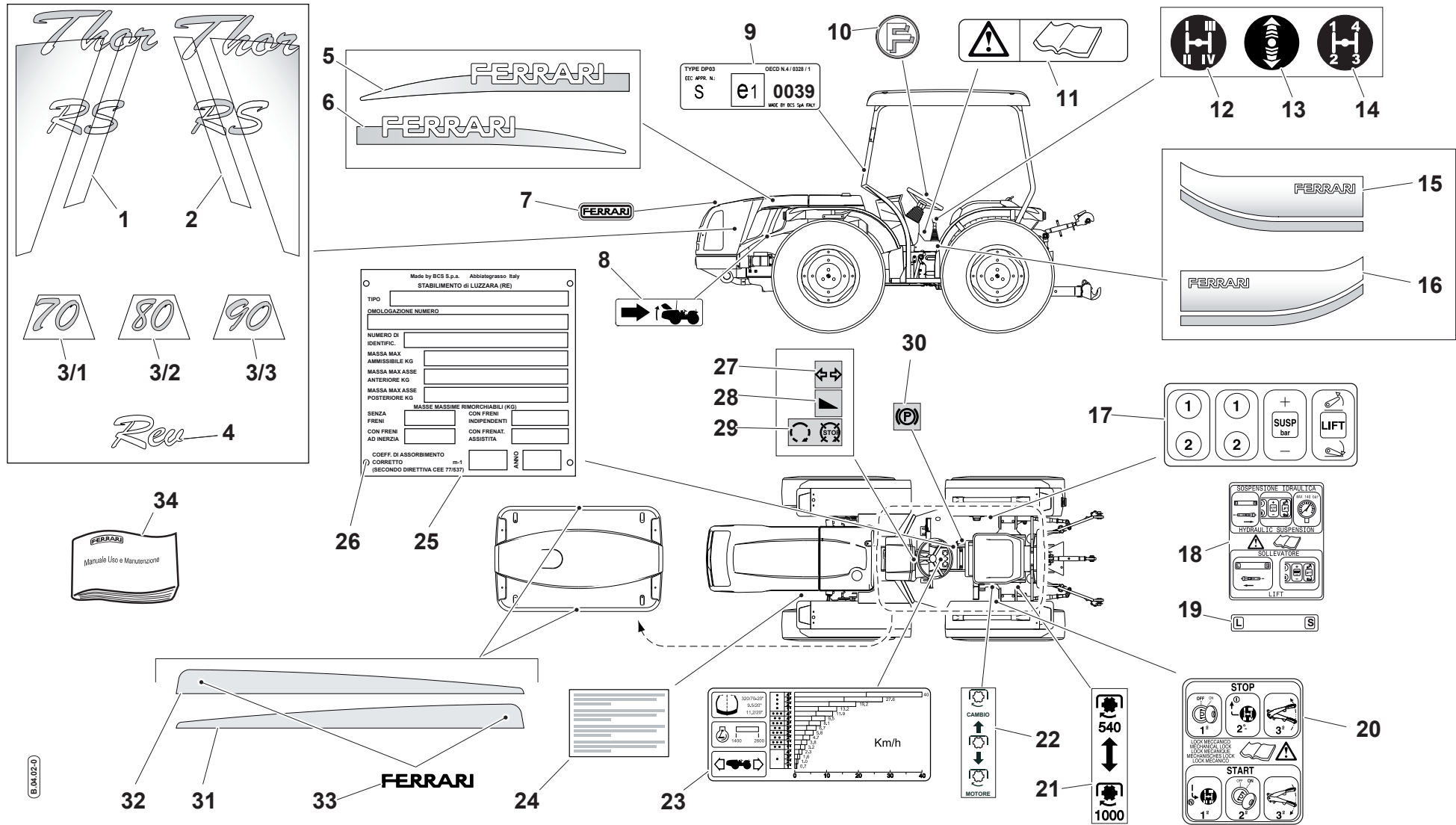
**B.06.01.L50023\_0**

VEDI ANCHE ...  
SEE ALSO ...  
VOIR AUSSI ...  
SIEHE AUCH ...  
VER TAMBEN ...

**E.04.01**



| Pos. | Code        | Q.ty | Description                    | Notes |
|------|-------------|------|--------------------------------|-------|
| 5    | F0843921030 | 12   | WASHER 14                      |       |
| 4    | F0864201020 | 12   | VITEM14X1.5/35UNI574010.9ZNT/B |       |



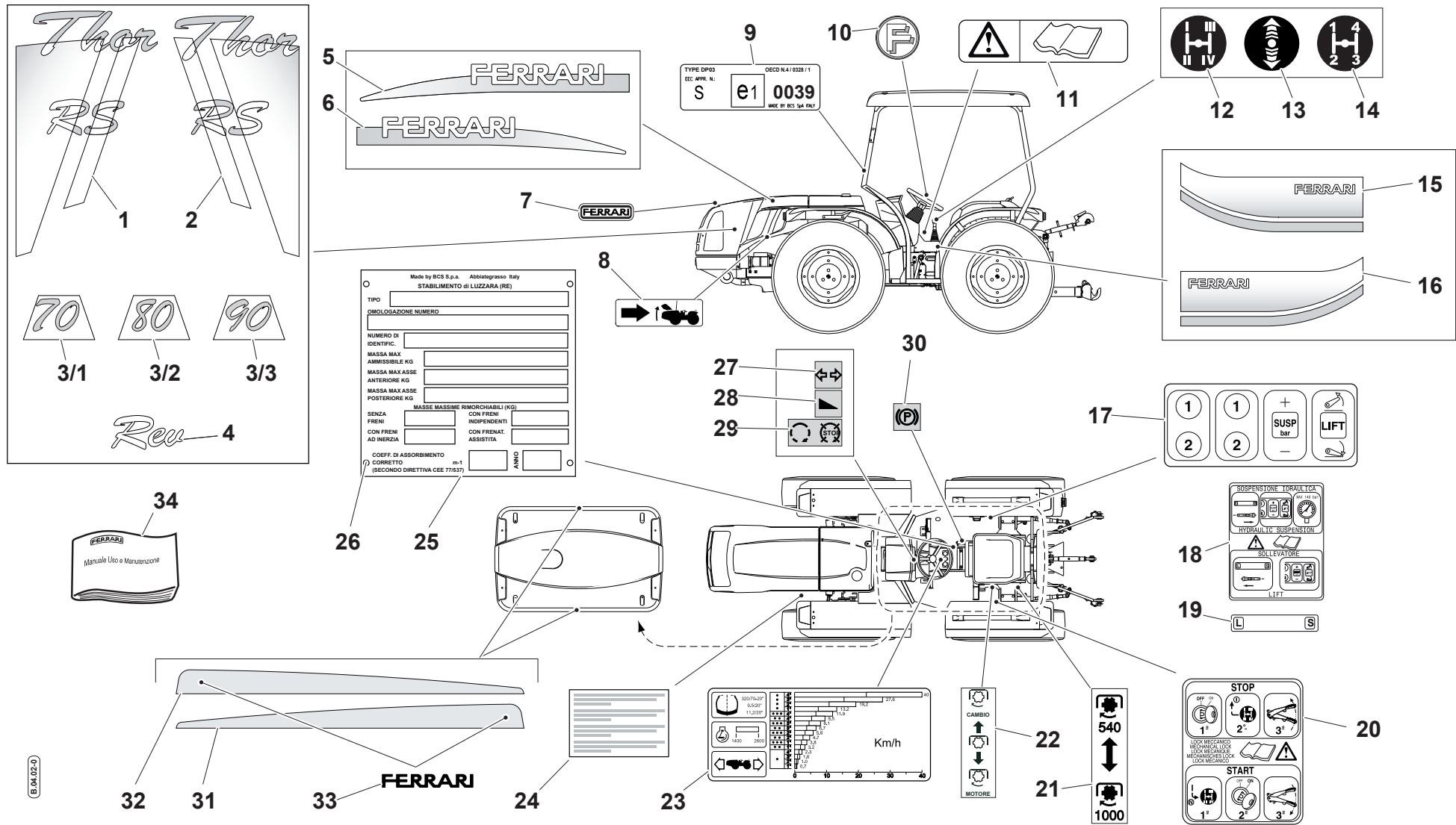
| Pos. | Code        | Q.ty | Description       | Notes |
|------|-------------|------|-------------------|-------|
| 27   | 58072509    | 1    | INSTRUCTION PLATE |       |
| 30   | 58072510    | 1    | INSTRUCTION PLATE |       |
| 29   | 58072511    | 1    | INSTRUCTION PLATE |       |
| 28   | 58072517    | 1    | INSTRUCTION PLATE |       |
| 22   | 58072575    | 1    | PLATE             |       |
| 25   | 58072737    | 1    | PLATE             |       |
| 9    | 58073645    | 1    | PLATE             |       |
| 13   | 58074220    | 1    | DECAL             |       |
| 12   | 58074221    | 1    | DECAL             |       |
| 14   | 58074222    | 1    | DECAL             |       |
| 10   | 58074777    | 1    | DECAL             |       |
| 5    | 58074786    | 1    | DECAL             |       |
| 6    | 58074787    | 1    | DECAL             |       |
| 3/03 | 58074788    | 2    | DECAL             |       |
| 3/02 | 58074789    | 2    | DECAL             |       |
| 3/01 | 58074790    | 2    | DECAL             |       |
| 4    | 58074791    | 2    | DECAL             |       |
| 1    | 58074794    | 1    | DECAL             |       |
| 2    | 58074795    | 1    | DECAL             |       |
| 7    | 58074837    | 1    | DECAL             |       |
| 15   | 58074839    | 1    | DECAL             |       |
| 8    | 58074841    | 1    | DECAL             |       |
| 16   | 58074846    | 1    | DECAL             |       |
| 21   | 58074848    | 1    | PLATE             |       |
| 11   | 58074880    | 1    | PLATE             |       |
| 33   | 58075013    | 1    | PLATE             |       |
| 31   | 58075019    | 1    | PLATE             |       |
| 32   | 58075020    | 1    | PLATE             |       |
| 20   | 58075021    | 1    | DECAL             |       |
| 17   | 58075024    | 1    | PLATE             |       |
| 18   | 58075521    | 1    | DECAL             |       |
| 19   | 58075522    | 1    | DECAL             |       |
| 23   | 58076937    | 1    | PLATE             |       |
| 26   | F0808518050 | 4    | RIVET 3,5x6,5     |       |

SERIAL

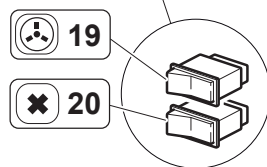
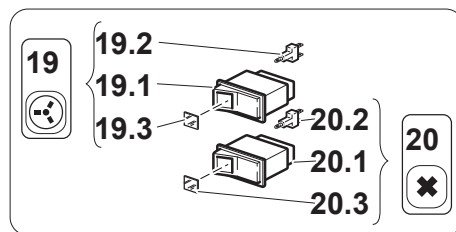
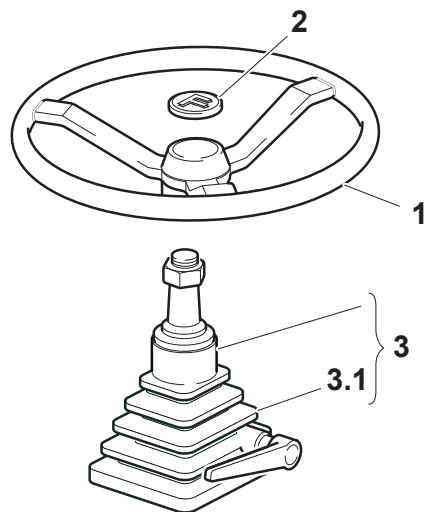
**PLATES AND STICKERS**


CODE REV


**B.07.02.L50023\_0**



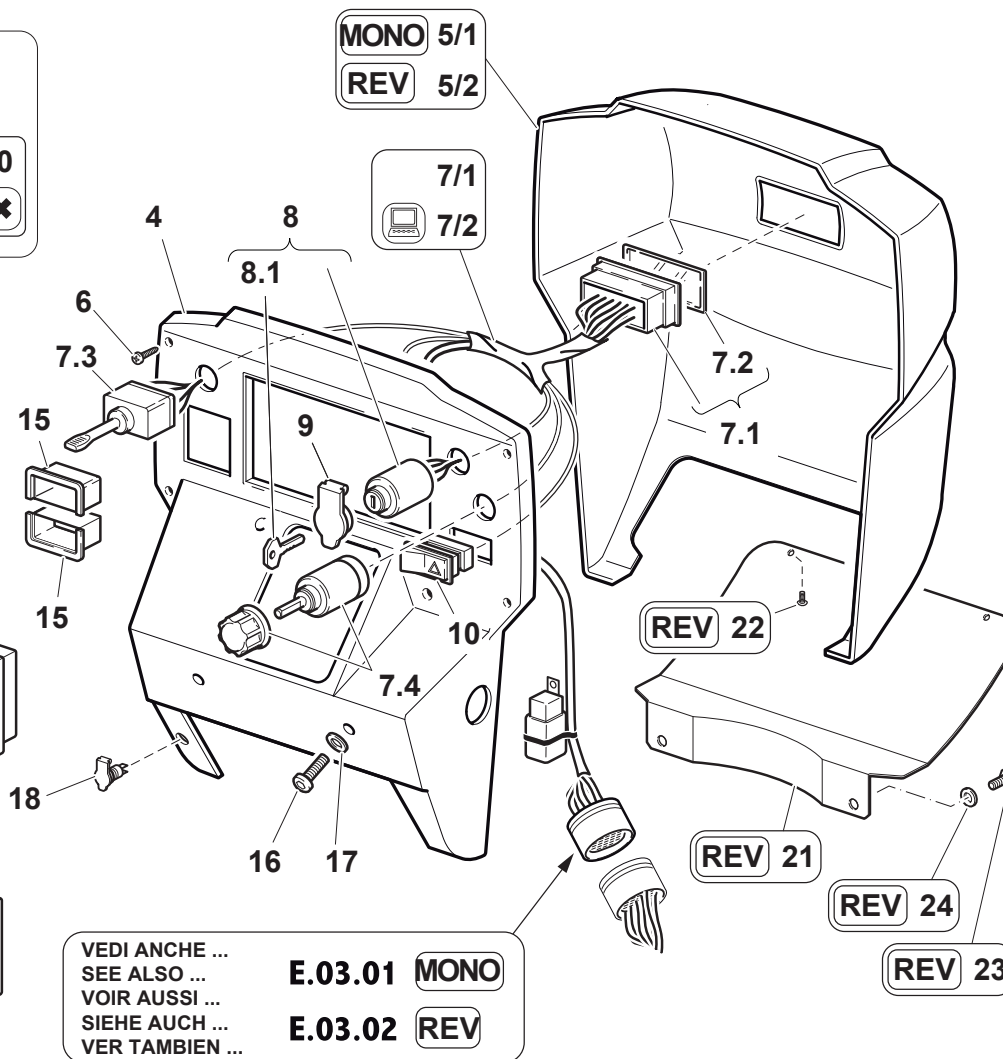
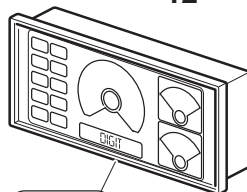
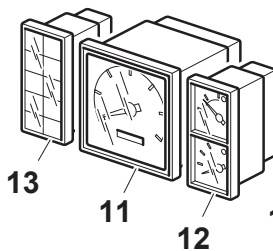
| Pos. | Code        | Q.ty | Description                    | Notes |
|------|-------------|------|--------------------------------|-------|
| 24   | F0854067050 | 1    | PLATE                          |       |
| 34   | F0907170120 | 1    | LIBRETTO U/M 70-90 BLU VITH.F* |       |



 **PRESA DI FORZA CON FRIZIONE INDIPENDENTE**  
**POWER TAKE-OFF WITH INDEPENDENT CLUTCH**  
**PRISE DE FORCE AVEC EMBRAYAGE INDEPEND.**  
**ZAPFWELLE MIT UNABHÄNGIGER KUPPLUNG**  
**TOMA DE FUERZA CON EMBRAGUE INDEPEND.**

 **DIFFERENZIALE CON BLOCCAGGIO ELETTROIDRAUL.**  
**DIFFERENTIAL WITH ELECTROHYDRAULIC LOCKING**  
**DIFFERENTIEL AVEC BLOCAGE ÉLECTROHYDR.**  
**DIFFERENTIAL MIT ELEKTROHYDR. SPERRE**  
**DIFERENCIAL CON BLOQUEO ELECTROHIDRÁULICO**

 **QUADRO STRUMENTAZIONE DIGITALE**  
**DIGITAL INSTRUMENT DISPLAY**  
**TABLEAU DE L'INSTRUMENTATION DIGITALE**  
**DIGITALES GERÄT TAFEL**  
**CUADRANTE DE LA INSTRUMENTACIÓN DIGITAL**





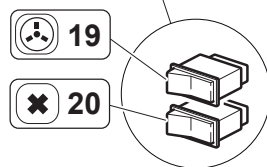
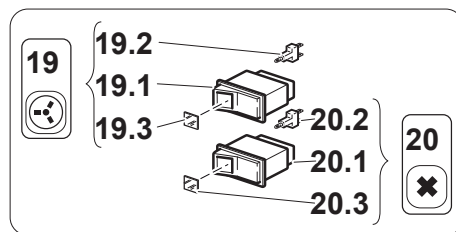
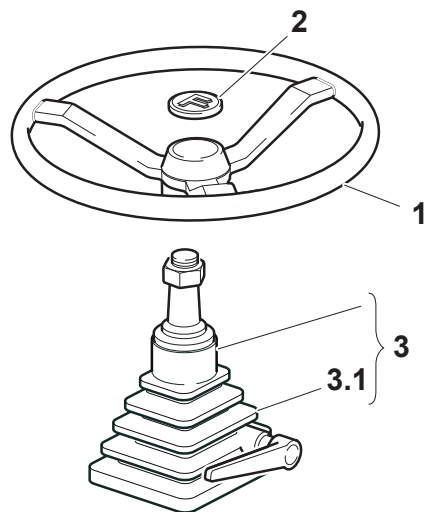
| Pos.   | Code        | Q.ty | Description                | Notes |
|--------|-------------|------|----------------------------|-------|
| 8      | 30000614    | 1    | PANEL                      |       |
| 23     | 31112149    | 2    | SCREW TE M8X12 UNI 5739 8G |       |
| 17     | 31411084    | 4    | WASHER 8,4x17              |       |
| 24     | 31411084    | 2    | WASHER 8,4x17              |       |
| 6      | 31510053    | 6    | RIBBED SCREW TC 4,8X32     |       |
| 05-feb | 55271644    | 1    | INSTRUMENT PANEL           |       |
| 05-gen | 55271852    | 1    | INSTRUMENT PANEL           |       |
| 4      | 55274441    | 1    | INSTRUMENT PANEL           |       |
| 21     | 57374553    | 1    | COVER                      |       |
| 07-gen | 58074901    | 1    | CABLE                      |       |
| 07-feb | 58075384    | 1    | CABLE                      |       |
| 12     | 58170236    | 1    | INDICATOR                  |       |
| 19     | 58170344    | 1    | CHANGE-OVER SWITCH         |       |
| 20     | 58170345    | 1    | CHANGE-OVER SWITCH         |       |
| 15     | 58170376    | 2    | TERMINAL FOR SWITCH        |       |
| 7,1    | 58170453    | 1    | FUSE BOX                   |       |
| 7,2    | 58172267    | 1    | COVER                      |       |
| 19,1   | 58173116    | 2    | CHANGE-OVER SWITCH         |       |
| 20,1   | 58173116    | 2    | CHANGE-OVER SWITCH         |       |
| 19,2   | 58173119    | 2    | PILOT LIGHT 12V            |       |
| 20,2   | 58173119    | 2    | PILOT LIGHT 12V            |       |
| 19,3   | 58173120    | 1    | GLASS                      |       |
| 20,3   | 58173121    | 1    | GLASS                      |       |
| 13     | 58174834    | 1    | UNIT                       |       |
| 11     | 58174842    | 1    | TACHOMETER                 |       |
| 14     | 58174928    | 1    | INSTRUMENT                 |       |
| 2      | 59900354    | 1    | PLUG                       |       |
| 10     | F0825115010 | 1    | PUSH-BUTTON                |       |
| 9      | F0825400060 | 1    | COVER                      |       |
| 18     | F0825403050 | 1    | SOCKET                     |       |
| 7,3    | F0825436000 | 1    | SWITCH                     |       |
| 7,4    | F0825436003 | 1    | SWITCH                     |       |
| 8,1    | F0825500220 | 1    | KEY                        |       |
| 22     | F0861867001 | 3    | SCREW M4,2X16 DIN 7981     |       |


SERIAL


**DASHBOARD**

CODE REV

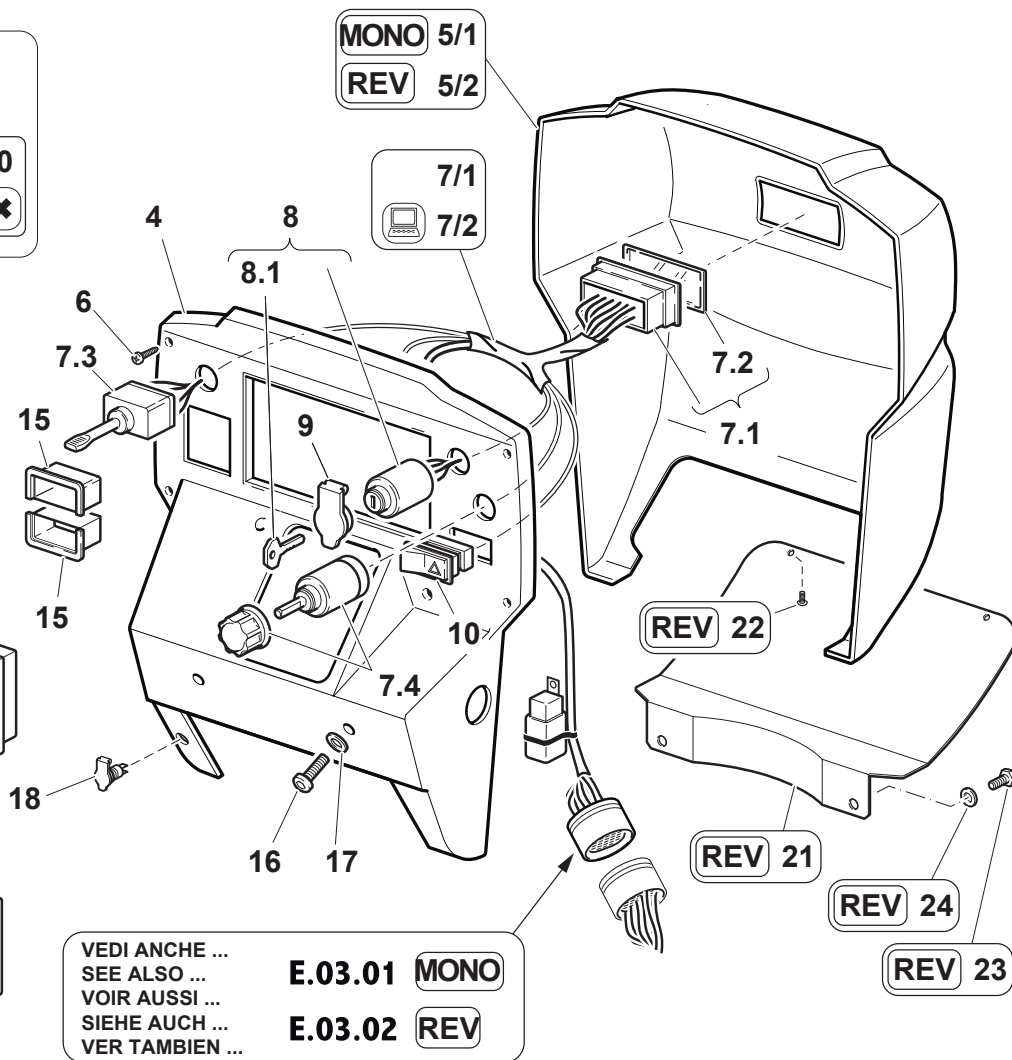
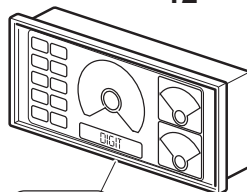
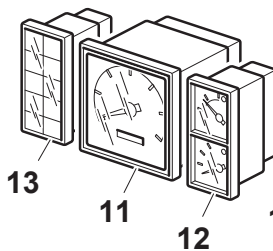
**B.08.01.L50017\_0**



 **PRESA DI FORZA CON FRIZIONE INDIPENDENTE**  
**POWER TAKE-OFF WITH INDEPENDENT CLUTCH**  
**PRISE DE FORCE AVEC EMBRAYAGE INDEPEND.**  
**ZAPFWELLE MIT UNABHÄNGIGER KUPPLUNG**  
**TOMA DE FUERZA CON EMBRAGUE INDEPEND.**

 **DIFFERENZIALE CON BLOCCAGGIO ELETTROIDRAUL.**  
**DIFFERENTIAL WITH ELECTROHYDRAULIC LOCKING**  
**DIFFERENTIEL AVEC BLOCAGE ÉLECTROHYDR.**  
**DIFFERENTIAL MIT ELEKTROHYDR. SPERRE**  
**DIFERENCIAL CON BLOQUEO ELECTROHIDRÁULICO**

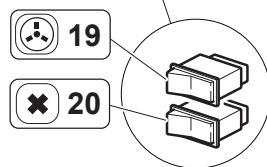
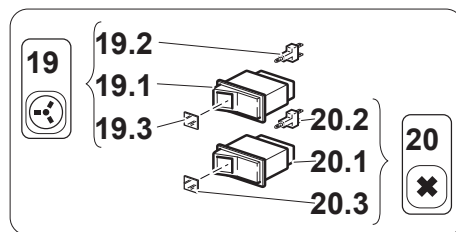
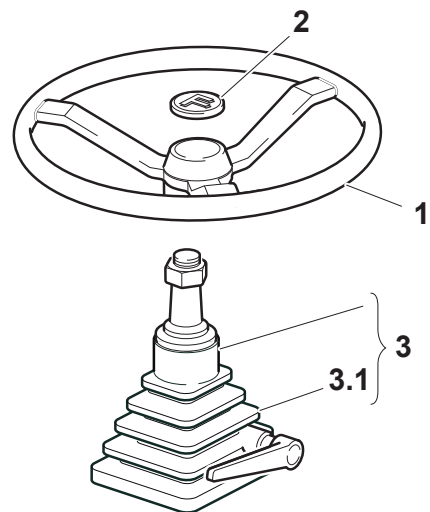
 **QUADRO STRUMENTAZIONE DIGITALE**  
**DIGITAL INSTRUMENT DISPLAY**  
**TABLEAU DE L'INSTRUMENTATION DIGITALE**  
**DIGITALES GERÄT TAFEL**  
**CUADRANTE DE LA INSTRUMENTACIÓN DIGITAL**





**VEDI ANCHE ...**  
**SEE ALSO ...**  
**VOIR AUSSI ...**  
**SIEHE AUCH ...**  
**VER TAMBIEN ...**

**E.03.01 MONO**  
**E.03.02 REV**

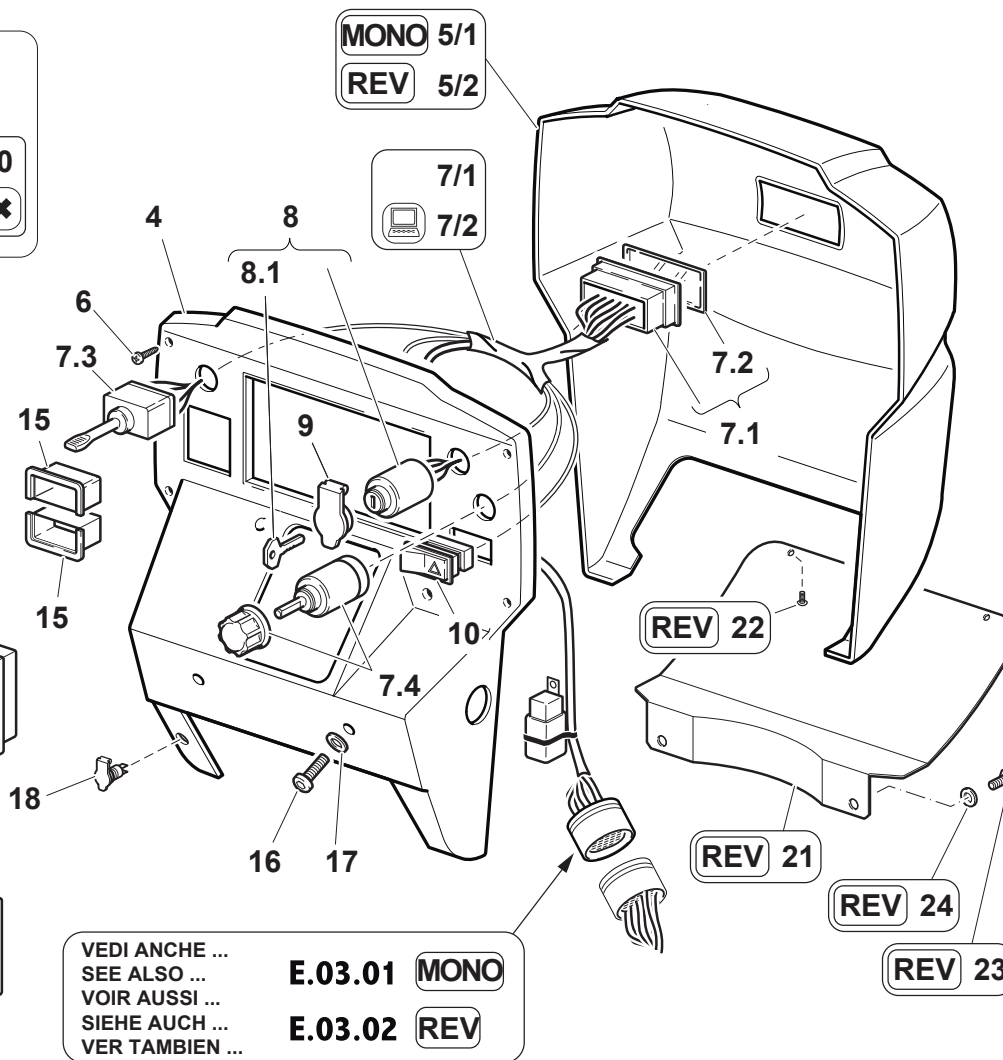
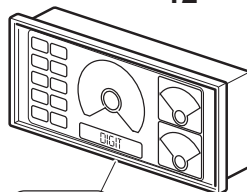
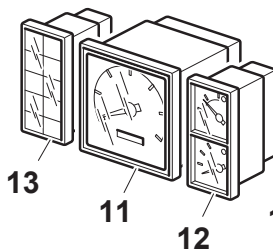
| Pos. | Code        | Q.ty | Description      | Notes |
|------|-------------|------|------------------|-------|
| 16   | F0862479020 | 4    | SCREW M8X16 7380 |       |
| 1    | F0865040000 | 1    | STEERING WHEEL   |       |
| 3    | F0865474000 | 1    | UNIT             |       |
| 3,1  | F0865474005 | 1    | BELLOWS          |       |



 **PRESA DI FORZA CON FRIZIONE INDIPENDENTE**  
**POWER TAKE-OFF WITH INDEPENDENT CLUTCH**  
**PRISE DE FORCE AVEC EMBRAYAGE INDEPEND.**  
**ZAPFWELLE MIT UNABHÄNGIGER KUPPLUNG**  
**TOMA DE FUERZA CON EMBRAGUE INDEPEND.**

 **DIFFERENZIALE CON BLOCCAGGIO ELETTROIDRAUL.**  
**DIFFERENTIAL WITH ELECTROHYDRAULIC LOCKING**  
**DIFFERENTIEL AVEC BLOCAGE ÉLECTROHYDR.**  
**DIFFERENTIAL MIT ELEKTROHYDR. SPERRE**  
**DIFERENCIAL CON BLOQUEO ELECTROHIDRÁULICO**

 **QUADRO STRUMENTAZIONE DIGITALE**  
**DIGITAL INSTRUMENT DISPLAY**  
**TABLEAU DE L'INSTRUMENTATION DIGITALE**  
**DIGITALES GERÄT TAFEL**  
**CUADRANTE DE LA INSTRUMENTACIÓN DIGITAL**



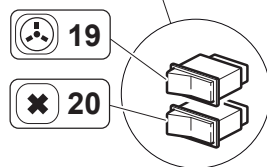
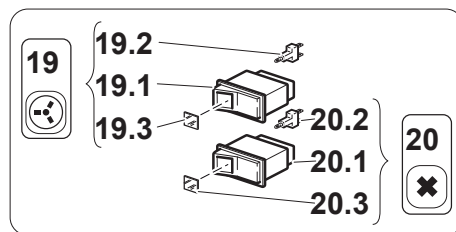
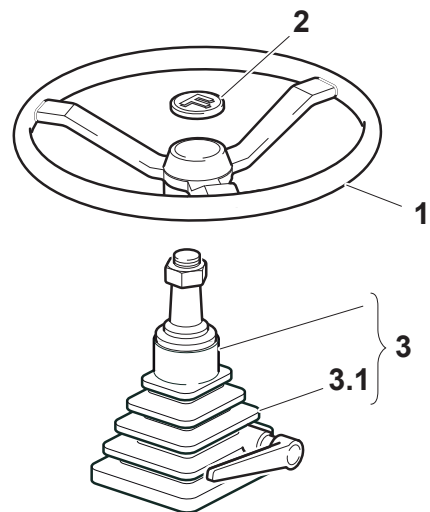
| Pos.   | Code        | Q.ty | Description                | Notes |
|--------|-------------|------|----------------------------|-------|
| 8      | 30000614    | 1    | PANEL                      |       |
| 23     | 31112149    | 2    | SCREW TE M8X12 UNI 5739 8G |       |
| 17     | 31411084    | 4    | WASHER 8,4x17              |       |
| 24     | 31411084    | 2    | WASHER 8,4x17              |       |
| 6      | 31510053    | 6    | RIBBED SCREW TC 4,8X32     |       |
| 05-feb | 55271644    | 1    | INSTRUMENT PANEL           |       |
| 05-gen | 55271852    | 1    | INSTRUMENT PANEL           |       |
| 4      | 55274441    | 1    | INSTRUMENT PANEL           |       |
| 21     | 57374553    | 1    | COVER                      |       |
| 07-feb | 58075384    | 1    | CABLE                      |       |
| 07-gen | 58075776    | 1    | CABLE                      |       |
| 19     | 58170344    | 1    | CHANGE-OVER SWITCH         |       |
| 20     | 58170345    | 1    | CHANGE-OVER SWITCH         |       |
| 15     | 58170376    | 2    | TERMINAL FOR SWITCH        |       |
| 19,1   | 58173116    | 2    | CHANGE-OVER SWITCH         |       |
| 20,1   | 58173116    | 2    | CHANGE-OVER SWITCH         |       |
| 19,2   | 58173119    | 2    | PILOT LIGHT 12V            |       |
| 20,2   | 58173119    | 2    | PILOT LIGHT 12V            |       |
| 19,3   | 58173120    | 1    | GLASS                      |       |
| 20,3   | 58173121    | 1    | GLASS                      |       |
| 14     | 58174928    | 1    | INSTRUMENT                 |       |
| 12     | 58175769    | 1    | DIGITAL INSTRUMENT         |       |
| 13     | 58175770    | 1    | WARNING LIGHT HOLDER       |       |
| 11     | 58175772    | 1    | DIGITAL INSTRUMENT         |       |
| 2      | 59900354    | 1    | PLUG                       |       |
| 10     | F0825115010 | 1    | PUSH-BUTTON                |       |
| 9      | F0825400060 | 1    | COVER                      |       |
| 18     | F0825403050 | 1    | SOCKET                     |       |
| 7,3    | F0825436000 | 1    | SWITCH                     |       |
| 7,4    | F0825436003 | 1    | SWITCH                     |       |
| 8,1    | F0825500220 | 1    | KEY                        |       |
| 22     | F0861867001 | 3    | SCREW M4,2X16 DIN 7981     |       |
| 16     | F0862479020 | 4    | SCREW M8X16 7380           |       |
| 1      | F0865040000 | 1    | STEERING WHEEL             |       |


SERIAL


**DASHBOARD**

CODE REV

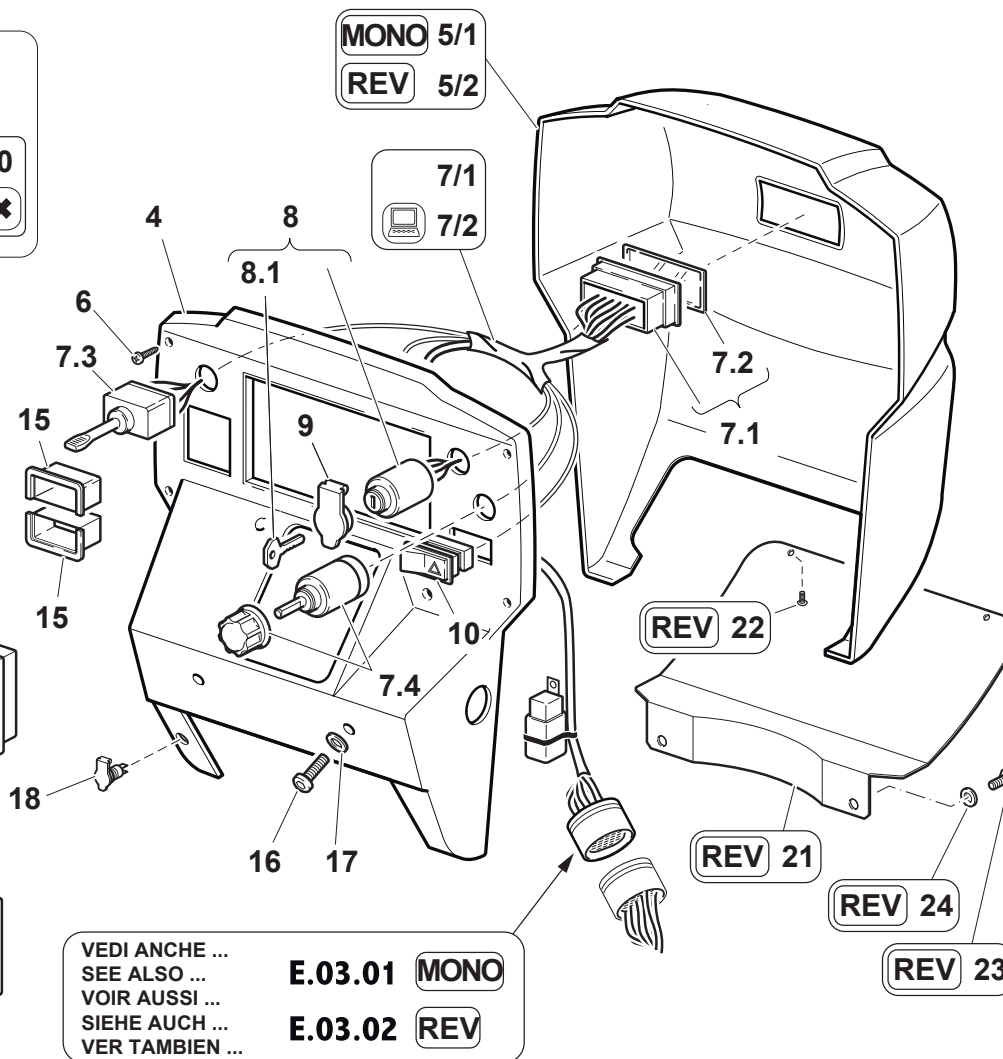
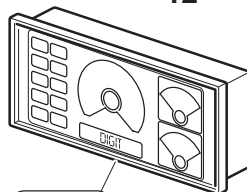
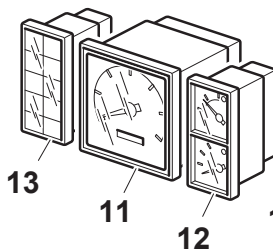
**B.08.01.L50017\_1**



 **PRESA DI FORZA CON FRIZIONE INDIPENDENTE**  
**POWER TAKE-OFF WITH INDEPENDENT CLUTCH**  
**PRISE DE FORCE AVEC EMBRAYAGE INDEPEND.**  
**ZAPFWELLE MIT UNABHÄNGIGER KUPPLUNG**  
**TOMA DE FUERZA CON EMBRAGUE INDEPEND.**

 **DIFFERENZIALE CON BLOCCAGGIO ELETTROIDRAUL.**  
**DIFFERENTIAL WITH ELECTROHYDRAULIC LOCKING**  
**DIFFERENTIEL AVEC BLOCAGE ÉLECTROHYDR.**  
**DIFFERENTIAL MIT ELEKTROHYDR. SPERRE**  
**DIFERENCIAL CON BLOQUEO ELECTROHIDRÁULICO**

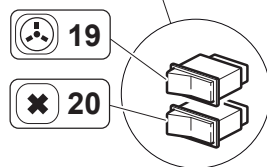
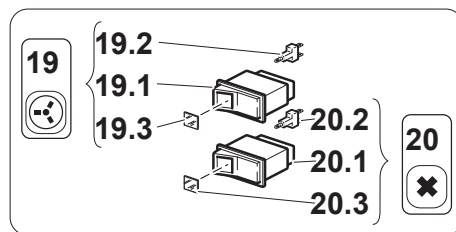
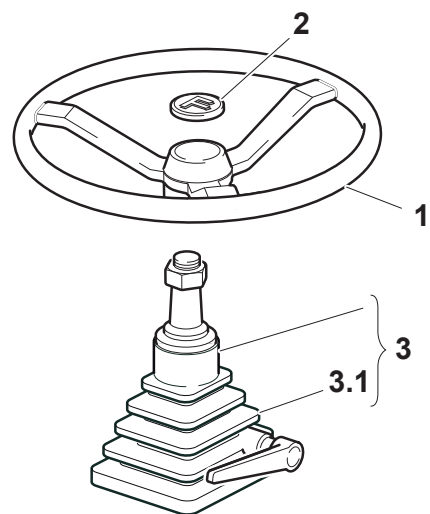
 **QUADRO STRUMENTAZIONE DIGITALE**  
**DIGITAL INSTRUMENT DISPLAY**  
**TABLEAU DE L'INSTRUMENTATION DIGITALE**  
**DIGITALES GERÄT TAFEL**  
**CUADRANTE DE LA INSTRUMENTACIÓN DIGITAL**





**VEDI ANCHE ...**  
**SEE ALSO ...**  
**VOIR AUSSI ...**  
**SIEHE AUCH ...**  
**VER TAMBIEN ...**

**E.03.01 MONO**  
**E.03.02 REV**

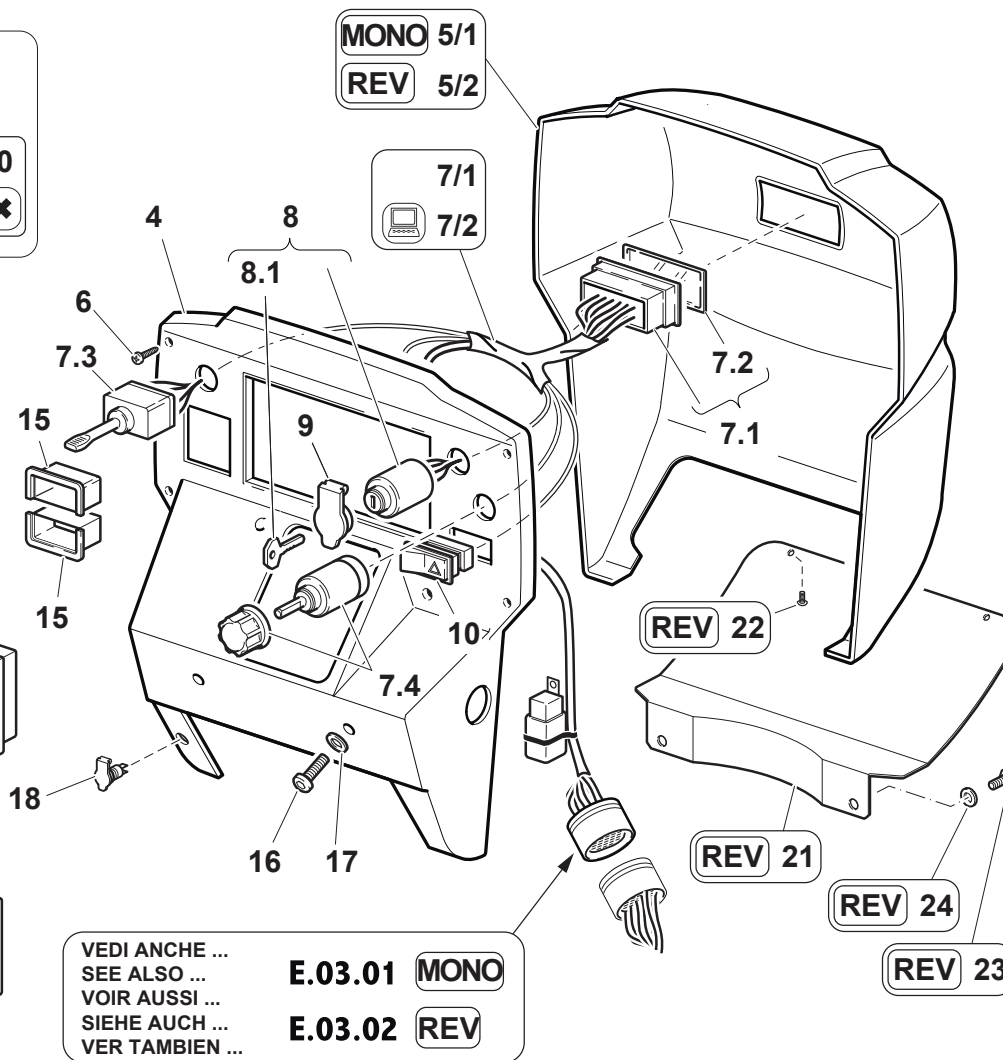
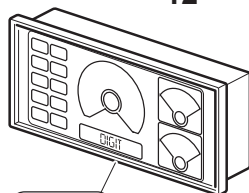
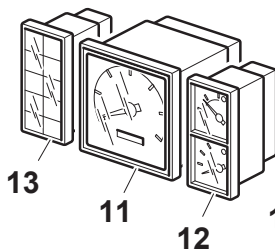
| Pos. | Code        | Q.ty | Description | Notes |
|------|-------------|------|-------------|-------|
| 3    | F0865474000 | 1    | UNIT        |       |
| 3,1  | F0865474005 | 1    | BELLOWS     |       |



 **PRESA DI FORZA CON FRIZIONE INDIPENDENTE**  
**POWER TAKE-OFF WITH INDEPENDENT CLUTCH**  
**PRISE DE FORCE AVEC EMBRAYAGE INDEPEND.**  
**ZAPFWELLE MIT UNABHÄNGIGER KUPPLUNG**  
**TOMA DE FUERZA CON EMBRAGUE INDEPEND.**

 **DIFFERENZIALE CON BLOCCAGGIO ELETTROIDRAUL.**  
**DIFFERENTIAL WITH ELECTROHYDRAULIC LOCKING**  
**DIFFERENTIEL AVEC BLOCAGE ÉLECTROHYDR.**  
**DIFFERENTIAL MIT ELEKTROHYDR. SPERRE**  
**DIFERENCIAL CON BLOQUEO ELECTROHIDRÁULICO**

 **QUADRO STRUMENTAZIONE DIGITALE**  
**DIGITAL INSTRUMENT DISPLAY**  
**TABLEAU DE L'INSTRUMENTATION DIGITALE**  
**DIGITALES GERÄT TAFEL**  
**CUADRANTE DE LA INSTRUMENTACIÓN DIGITAL**



**VEDI ANCHE ...**  
**SEE ALSO ...**  
**VOIR AUSSI ...**  
**SIEHE AUCH ...**  
**VER TAMBIEN ...**

**E.03.01 MONO**  
**E.03.02 REV**



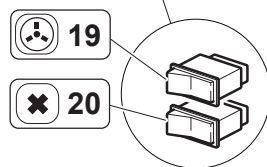
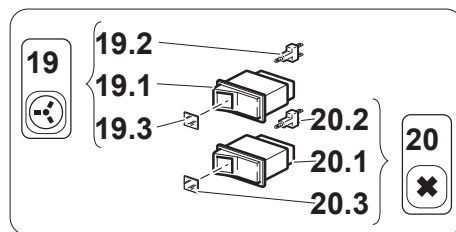
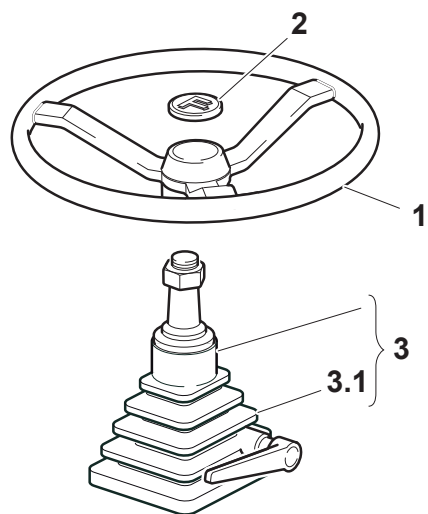
| Pos.   | Code        | Q.ty | Description                | Notes |
|--------|-------------|------|----------------------------|-------|
| 8      | 30000614    | 1    | PANEL                      |       |
| 23     | 31112149    | 2    | SCREW TE M8X12 UNI 5739 8G |       |
| 17     | 31411084    | 4    | WASHER 8,4x17              |       |
| 6      | 31510053    | 6    | RIBBED SCREW TC 4,8X32     |       |
| 5,2    | 55271644    | 1    | INSTRUMENT PANEL           |       |
| 5,1    | 55271852    | 1    | INSTRUMENT PANEL           |       |
| 4      | 55274441    | 1    | INSTRUMENT PANEL           |       |
| 21     | 57374553    | 1    | COVER                      |       |
| 07-feb | 58075384    | 1    | CABLE                      |       |
| 07-gen | 58075776    | 1    | CABLE                      |       |
| 19     | 58170344    | 1    | CHANGE-OVER SWITCH         |       |
| 20     | 58170345    | 1    | CHANGE-OVER SWITCH         |       |
| 15     | 58170376    | 2    | TERMINAL FOR SWITCH        |       |
| 19,1   | 58173116    | 2    | CHANGE-OVER SWITCH         |       |
| 20,1   | 58173116    | 2    | CHANGE-OVER SWITCH         |       |
| 19,2   | 58173119    | 2    | PILOT LIGHT 12V            |       |
| 20,2   | 58173119    | 2    | PILOT LIGHT 12V            |       |
| 19,3   | 58173120    | 1    | GLASS                      |       |
| 20,3   | 58173121    | 1    | GLASS                      |       |
| 14     | 58174928    | 1    | INSTRUMENT                 |       |
| 12     | 58175769    | 1    | DIGITAL INSTRUMENT         |       |
| 13     | 58175770    | 1    | WARNING LIGHT HOLDER       |       |
| 11     | 58175772    | 1    | DIGITAL INSTRUMENT         |       |
| 2      | 59900354    | 1    | PLUG                       |       |
| 10     | F0825115010 | 1    | PUSH-BUTTON                |       |
| 9      | F0825400060 | 1    | COVER                      |       |
| 18     | F0825403050 | 1    | SOCKET                     |       |
| 7,3    | F0825436000 | 1    | SWITCH                     |       |
| 7,4    | F0825436003 | 1    | SWITCH                     |       |
| 8,1    | F0825500220 | 1    | KEY                        |       |
| 22     | F0861867001 | 3    | SCREW M4,2X16 DIN 7981     |       |
| 16     | F0862479020 | 4    | SCREW M8X16 7380           |       |
| 1      | F0865040000 | 1    | STEERING WHEEL             |       |
| 3      | F0865474000 | 1    | UNIT                       |       |


SERIAL


**DASHBOARD**

CODE REV

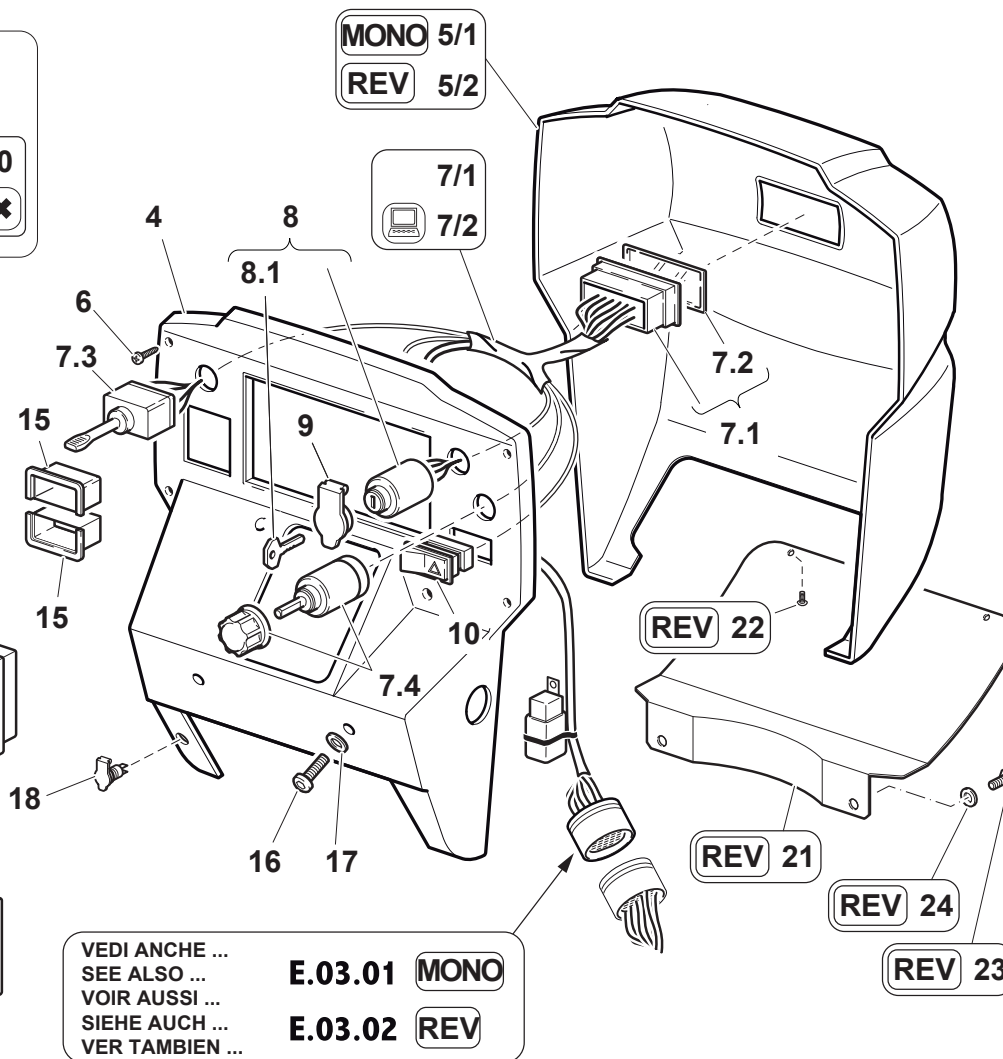
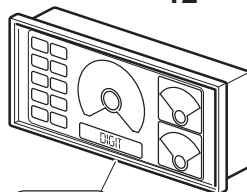
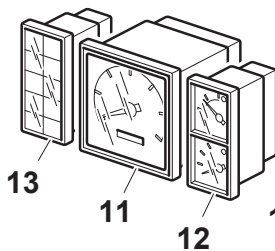
**B.08.01.L50017\_2**



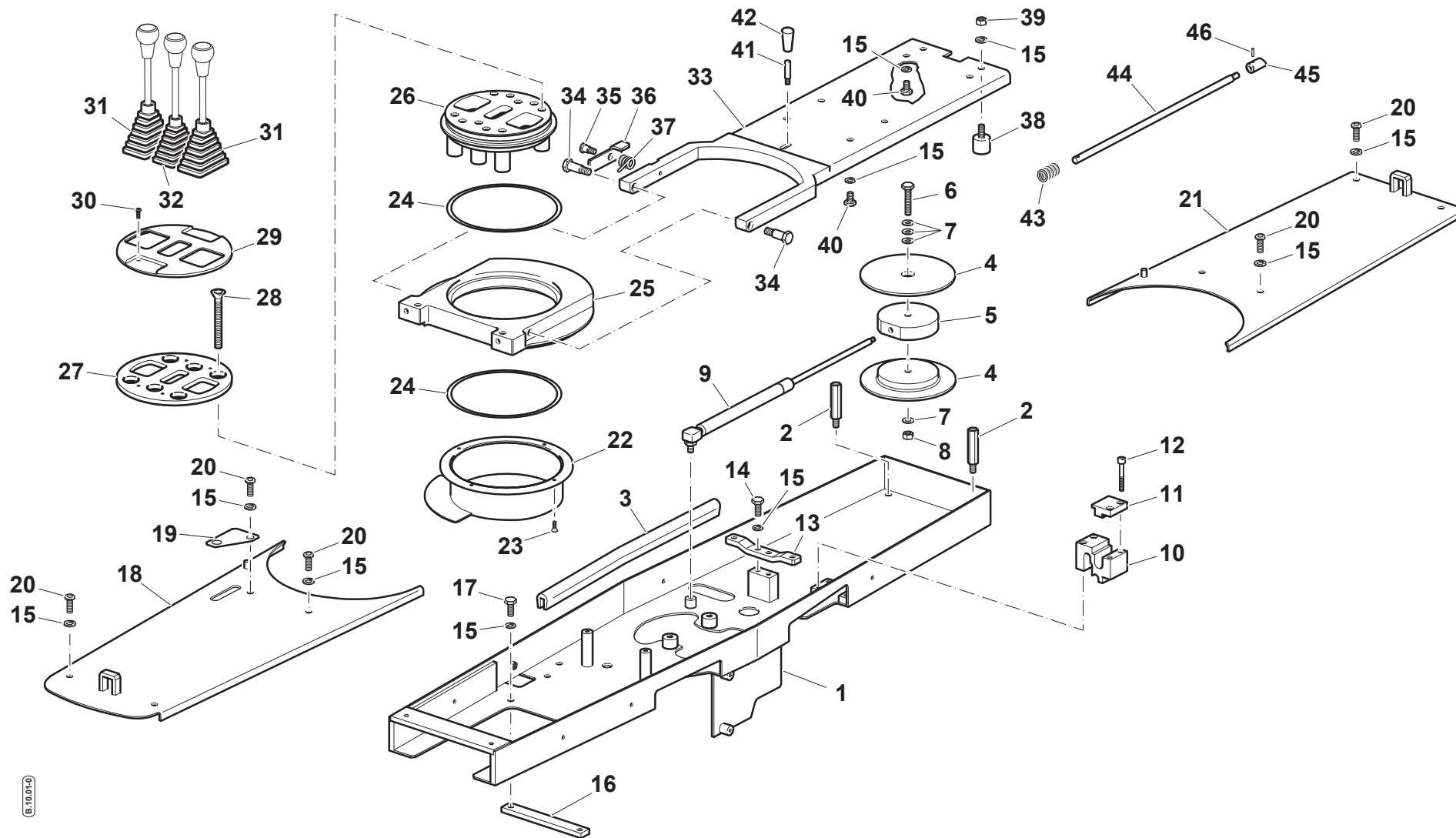
 **PRESA DI FORZA CON FRIZIONE INDIPENDENTE**  
**POWER TAKE-OFF WITH INDEPENDENT CLUTCH**  
**PRISE DE FORCE AVEC EMBRAYAGE INDEPEND.**  
**ZAPFWELLE MIT UNABHÄNGIGER KUPPLUNG**  
**TOMA DE FUERZA CON EMBRAGUE INDEPEND.**

 **DIFFERENZIALE CON BLOCCAGGIO ELETTROIDRAUL.**  
**DIFFERENTIAL WITH ELECTROHYDRAULIC LOCKING**  
**DIFFERENTIEL AVEC BLOCAGE ÉLECTROHYDR.**  
**DIFFERENTIAL MIT ELEKTROHYDR. SPERRE**  
**DIFERENCIAL CON BLOQUEO ELECTROHIDRÁULICO**

 **QUADRO STRUMENTAZIONE DIGITALE**  
**DIGITAL INSTRUMENT DISPLAY**  
**TABLEAU DE L'INSTRUMENTATION DIGITALE**  
**DIGITALES GERÄT TAFEL**  
**CUADRANTE DE LA INSTRUMENTACIÓN DIGITAL**



| Pos. | Code        | Q.ty | Description | Notes |
|------|-------------|------|-------------|-------|
| 3,1  | F0865474005 | 1    | BELLOWS     |       |



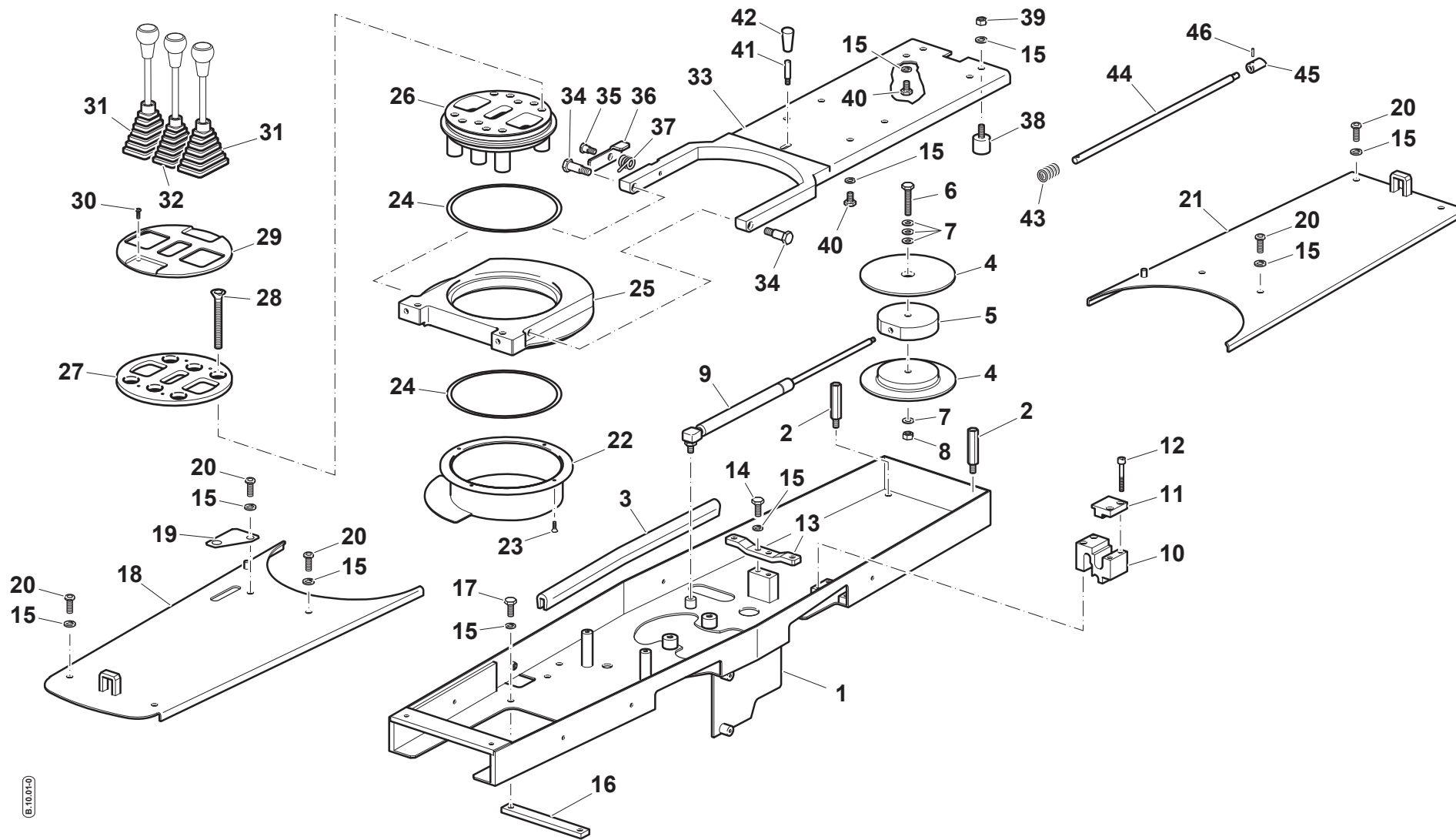
| Pos. | Code     | Q.ty | Description                | Notes |
|------|----------|------|----------------------------|-------|
| 40   | 31111151 | 4    | SCREW TE M8X16 UNI 5739 8G |       |
| 14   | 31112146 | 2    | SCREW TE M8X22 UNI 5739 8G |       |
| 17   | 31112151 | 2    | SCREW TE M8X25 UNI 5739 8G |       |
| 23   | 31132440 | 4    | SCREW TSVEI M4X10 UNI 5933 |       |
| 12   | 31152066 | 4    | SCREW TCEI M6X45 UNI 5931  |       |
| 7    | 31411084 | 4    | WASHER 8,4x17              |       |
| 46   | 34213018 | 1    | ROLL PIN                   |       |
| 25   | 51175212 | 1    | TURRET                     |       |
| 26   | 51274388 | 1    | SUPPORT                    |       |
| 27   | 51274498 | 1    | FLANGE                     |       |
| 32   | 55174162 | 1    | BELLOWS                    |       |
| 31   | 55174163 | 2    | BELLOWS                    |       |
| 41   | 56174461 | 1    | PIN                        |       |
| 36   | 56174462 | 1    | RETAINING PLATE            |       |
| 44   | 56174463 | 1    | ROD                        |       |
| 10   | 56174464 | 1    | SMALL BLOCK                |       |
| 13   | 56174486 | 1    | RETAINER                   |       |
| 2    | 56174492 | 2    | PIN                        |       |
| 19   | 56174499 | 1    | COVER                      |       |
| 16   | 56174730 | 1    | PLATE                      |       |
| 11   | 56174773 | 1    | COVER                      |       |
| 34   | 56274487 | 2    | SPECIAL SCREW              |       |
| 45   | 56374460 | 1    | LOCKING BOLT               |       |
| 35   | 56375436 | 1    | HINGE PIN                  |       |
| 4    | 57374490 | 2    | PULLEY                     |       |
| 5    | 57374491 | 1    | PULLEY                     |       |
| 29   | 57374501 | 1    | COVER                      |       |
| 24   | 57374545 | 2    | GASKET                     |       |
| 3    | 57374686 | 1    | GASKET                     |       |
| 43   | 58070390 | 1    | SEAT SPRINGS               |       |
| 37   | 58074488 | 1    | SPRING                     |       |
| 9    | 58174555 | 1    | SPRING                     |       |
| 38   | 58174644 | 2    | SILENT-BLOCK               |       |
| 22   | 59074403 | 1    | FLANGE                     |       |

SERIAL

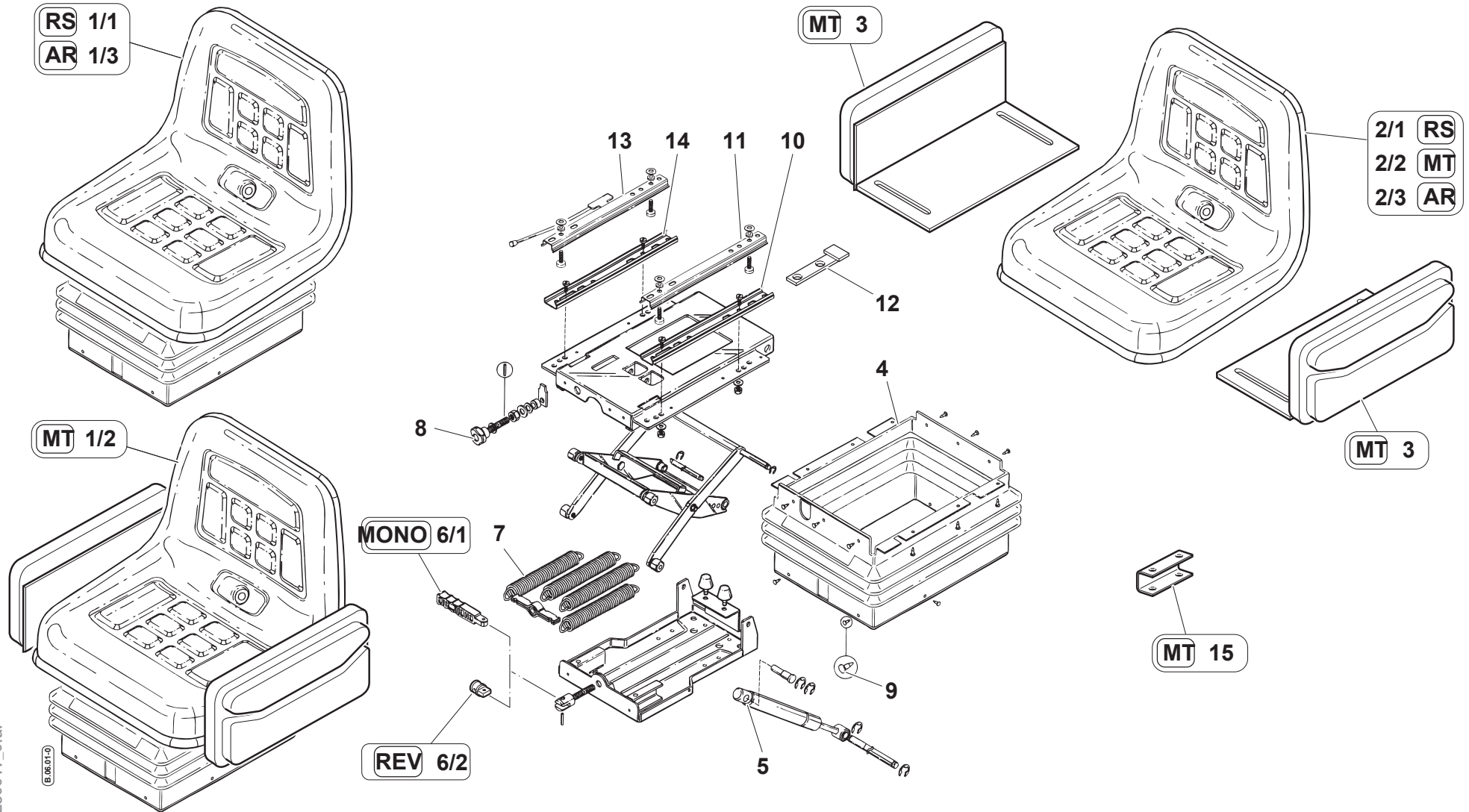
**SEAT SUPPORT / GEAR LEVERS COVER**

CODE REV

**B.10.01.L50020\_0**

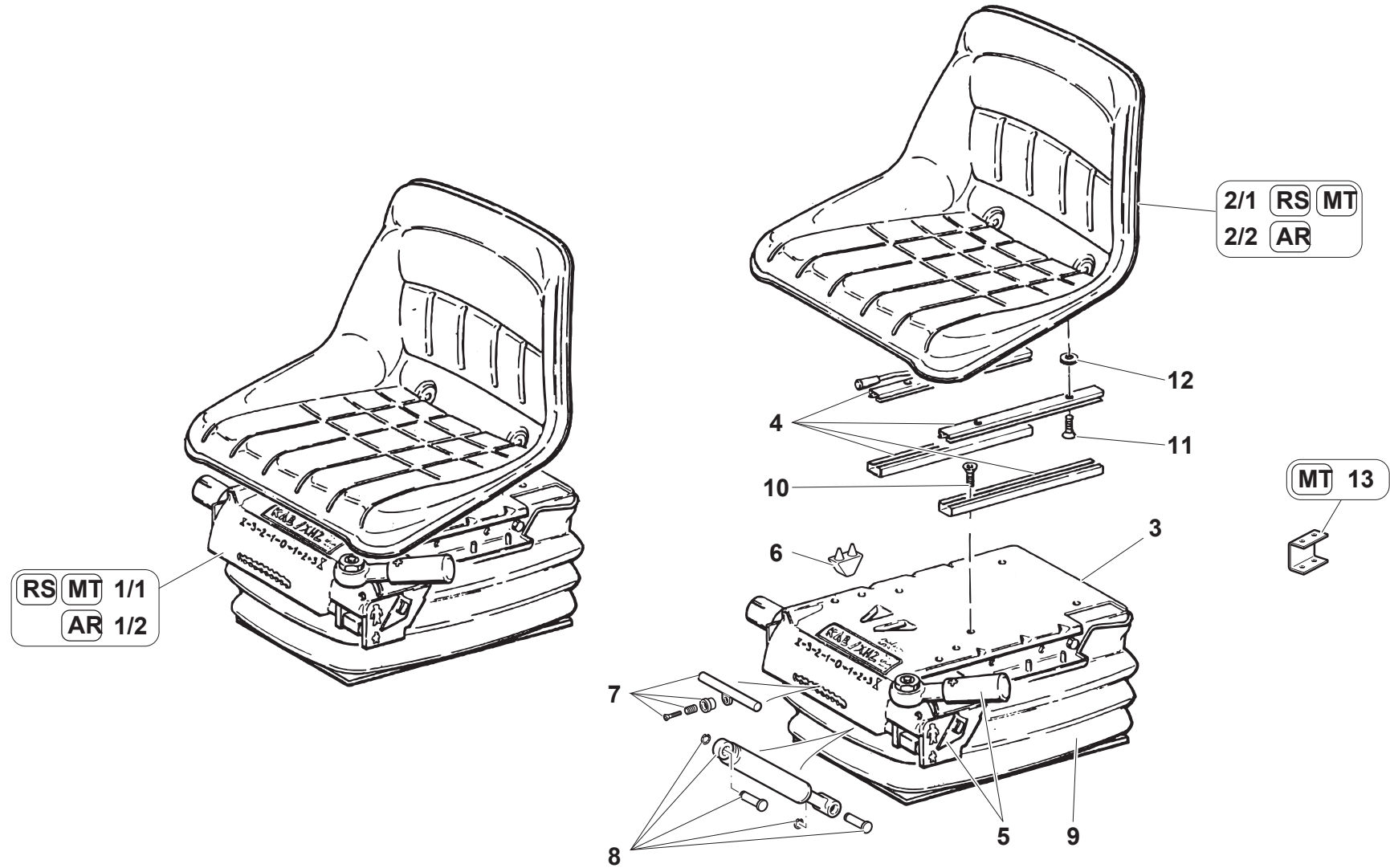


| Pos. | Code        | Q.ty | Description              | Notes |
|------|-------------|------|--------------------------|-------|
| 1    | 59074468    | 1    | BOX                      |       |
| 21   | 59074477    | 1    | COVER                    |       |
| 33   | 59074525    | 1    | SEAT SUPPORT             |       |
| 18   | 59074531    | 1    | FRONT COVER              |       |
| 39   | F0814574000 | 2    | NUT                      |       |
| 8    | F0814585000 | 1    | SELFLOCK NUT             |       |
| 42   | F0837521000 | 1    | GRIP                     |       |
| 15   | F0843643060 | 16   | WASHER 8                 |       |
| 30   | F0861928050 | 4    | SCREW M5X12 ISO 7380     |       |
| 20   | F0862479020 | 8    | SCREW M8X16 7380         |       |
| 6    | F0862875000 | 1    | SCREW M8X1,25/45 UNI5739 |       |
| 28   | F0863586000 | 6    | SCREW M10X80 DIN 7991    |       |

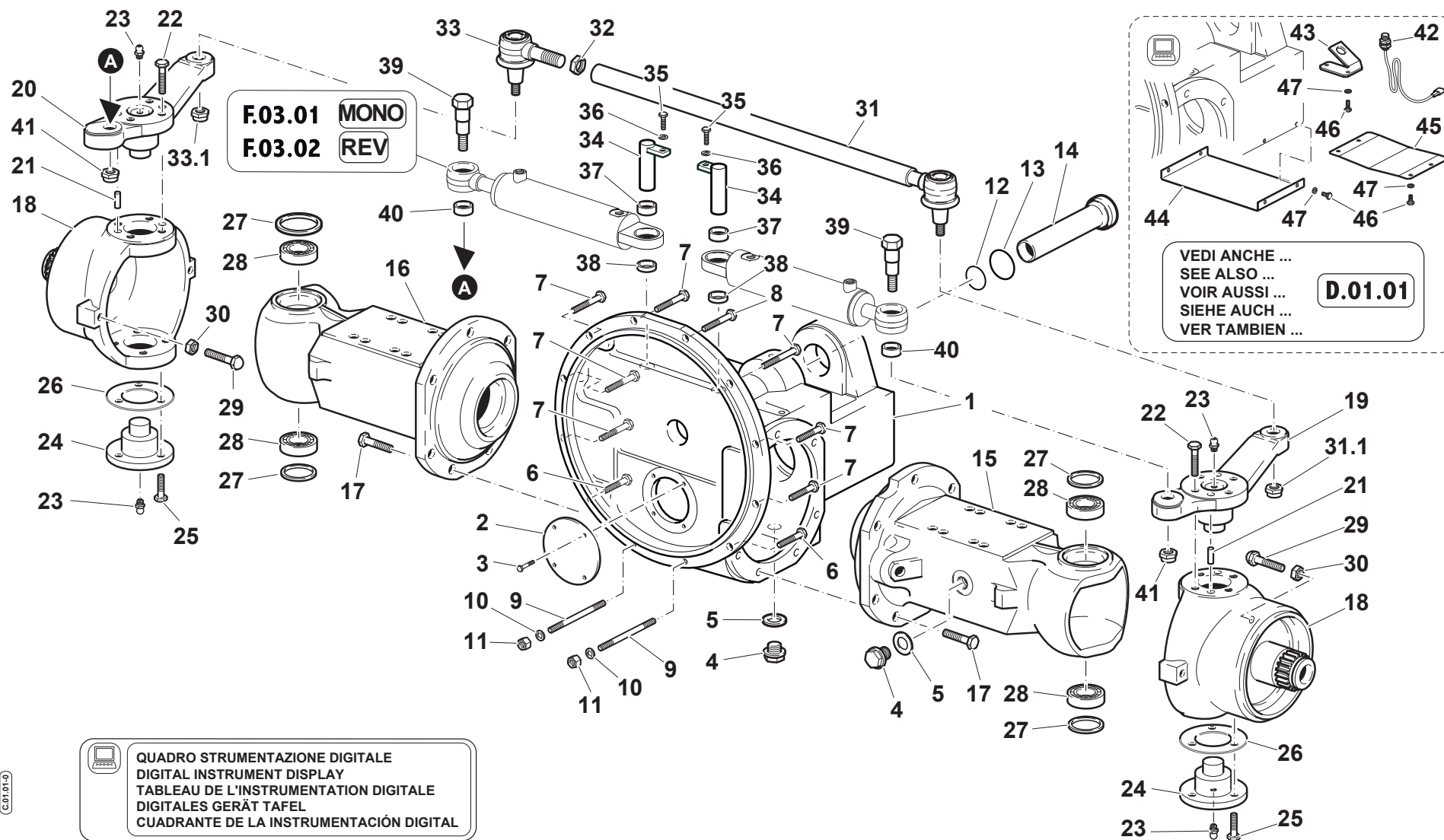




| Pos.   | Code        | Q.ty | Description     | Notes |
|--------|-------------|------|-----------------|-------|
| 06-feb | 56172172    | 1    | SMALL BLOCK     |       |
| 15     | 56175206    | 1    | BRACKET         |       |
| 01-feb | 58170959    | 1    | SEAT            |       |
| 01-mar | 58170995    | 1    | SEAT            |       |
| 3      | 58171239    | 1    | SIDE PANEL      |       |
| 12     | 59071241    | 1    | STOP PLATE      |       |
| 02-gen | 59900151    | 1    | SEAT CAVITY     |       |
| 14     | 59900152    | 1    | LOWER GUIDE     |       |
| 8      | 59900153    | 1    | KNOB            |       |
| 7      | 59900154    | 4    | SPRING          |       |
| 06-gen | 59900155    | 1    | LEVER           |       |
| 5      | 59900156    | 1    | SHOCKS ABSORBER |       |
| 10     | 59900157    | 1    | LOWER GUIDE     |       |
| 9      | 59900158    | 18   | SCREW           |       |
| 4      | 59900159    | 1    | BELLOWS         |       |
| 11     | 59900160    | 1    | GUIDE           |       |
| 13     | 59900161    | 1    | GUIDE           |       |
| 02-mar | 59900162    | 1    | SEAT CAVITY     |       |
| 02-feb | 59900182    | 1    | SEAT CAVITY     |       |
| 01-gen | F0190032529 | 1    | SEAT            |       |



| Pos.   | Code        | Q.ty | Description                | Notes |
|--------|-------------|------|----------------------------|-------|
| 10     | 31111151    | 4    | SCREW TE M8X16 UNI 5739 8G |       |
| 13     | 56171223    | 1    | BRACKET                    |       |
| 4      | 58173437    | 1    | SEAT GUIDE                 |       |
| 5      | 59900183    | 1    | CONTROL                    |       |
| 6      | 59900184    | 1    | LIMITER                    |       |
| 7      | 59900185    | 1    | CONTROL                    |       |
| 8      | 59900186    | 1    | SHOCKS ABSORBER            |       |
| 9      | 59900187    | 1    | BELLOWS                    |       |
| 01-feb | 59900199    | 1    | SEAT                       |       |
| 01-gen | 59900200    | 1    | SEAT                       |       |
| 02-gen | F0150036215 | 1    | SEAT CAVITY                |       |
| 02-feb | F0150036216 | 1    | SEAT CAVITY                |       |
| 3      | F0150036219 | 1    | SPRING                     |       |
| 12     | F0843696000 | 4    | WASHER                     |       |
| 11     | F0862495010 | 4    | SCREW                      |       |



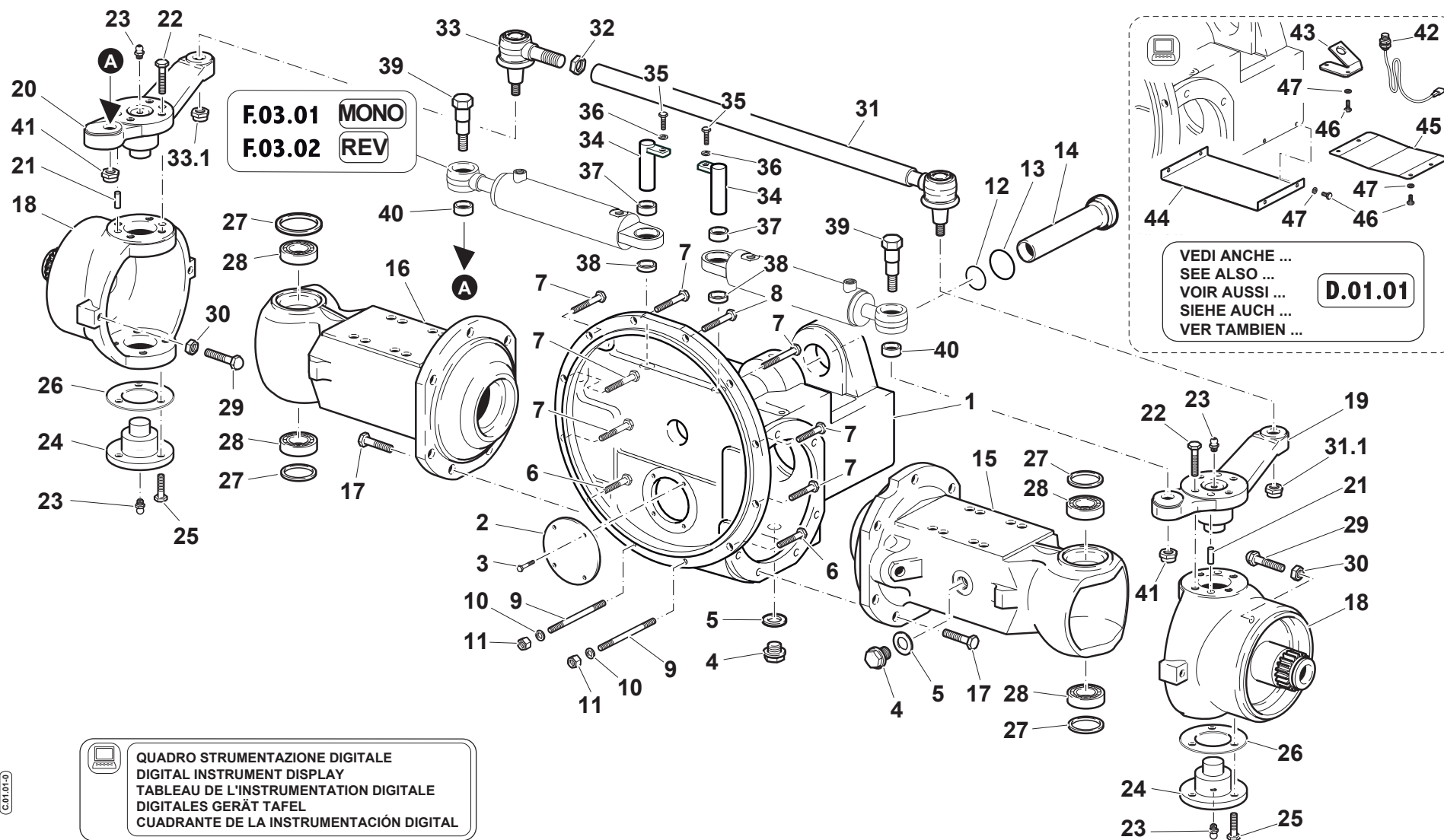
| Pos. | Code     | Q.ty | Description                | Notes |
|------|----------|------|----------------------------|-------|
| 35   | 31111151 | 2    | SCREW TE M8X16 UNI 5739 8G |       |
| 46   | 31112082 | 10   | SCREW TE M6X12 UNI 5739 8G |       |
| 3    | 31112090 | 4    | SCREW TE M6X16 UNI 5739 8G |       |
| 6    | 31112211 | 2    | SCREW TE M10X30 UNI 5739   |       |
| 7    | 31112212 | 7    | SCREW TE M10X35 UNI 5739   |       |
| 8    | 31112213 | 1    | SCREW TE M10X40 UNI 5739   |       |
| 41   | 31241142 | 2    | SELFLOCK NUT               |       |
| 1    | 51174448 | 1    | FRONT AXLE HOUSING         |       |
| 2    | 51174467 | 1    | FRONT COVER                |       |
| 18   | 51270090 | 2    | JOINT                      |       |
| 16   | 51270096 | 1    | FRONT AXLE HOUSING         |       |
| 15   | 51270103 | 1    | FRONT AXLE HOUSING         |       |
| 24   | 52370083 | 2    | JOINT PIN                  |       |
| 20   | 52374703 | 1    | RIGHT ARM                  |       |
| 19   | 52374704 | 1    | STEERING TRACK LEVER       |       |
| 40   | 56074712 | 2    | SPACER                     |       |
| 26   | 56170082 |      | SHIM                       |       |
| 26   | 56170221 |      | SHIM                       |       |
| 26   | 56170222 |      | SHIM                       |       |
| 26   | 56170223 |      | SHIM                       |       |
| 37   | 56170226 | 2    | SPACER                     |       |
| 38   | 56171172 | 2    | SPACER                     |       |
| 45   | 56172538 | 1    | LAMINATION                 |       |
| 26   | 56173353 |      | SHIM                       |       |
| 43   | 56174919 | 1    | BRACKET                    |       |
| 44   | 56174920 | 1    | SHEET                      |       |
| 4    | 56370081 | 2    | PLUG                       |       |
| 29   | 56370217 | 4    | ADJUSTING SCREW            |       |
| 21   | 56370228 | 4    | CYLINDRICAL PLUG           |       |
| 32   | 56370486 | 1    | SPECIAL NUT M20X1 CH32 6S  |       |
| 39   | 56374711 | 2    | HINGE PIN                  |       |
| 33   | 58170069 | 1    | BALL JOINT END             |       |
| 27   | 58170077 | 4    | GASKET                     |       |
| 42   | 58175209 | 1    | SENSOR                     |       |

SERIAL

**FRONT AXLE**

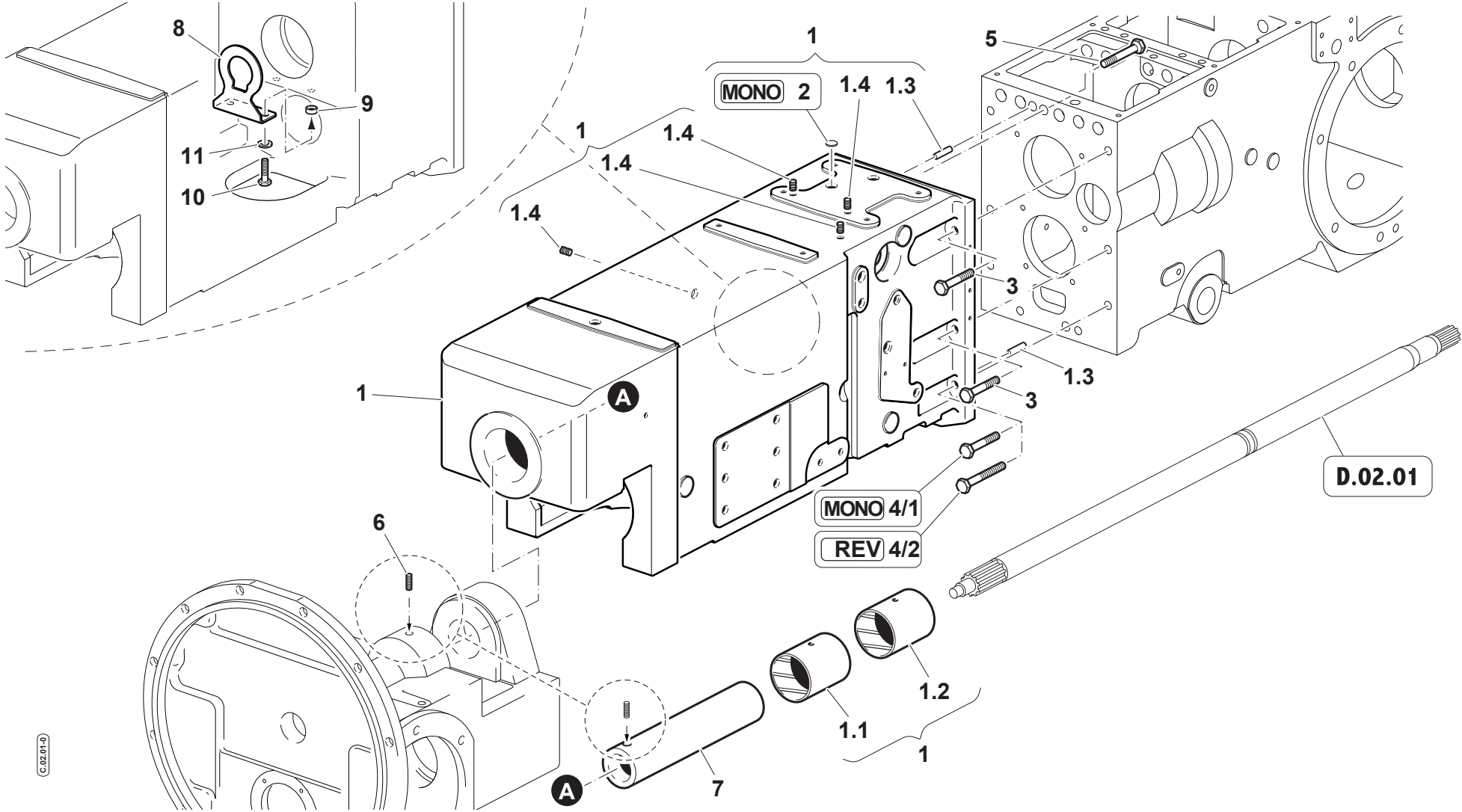
CODE REV

**C.01.01.L50017\_0**



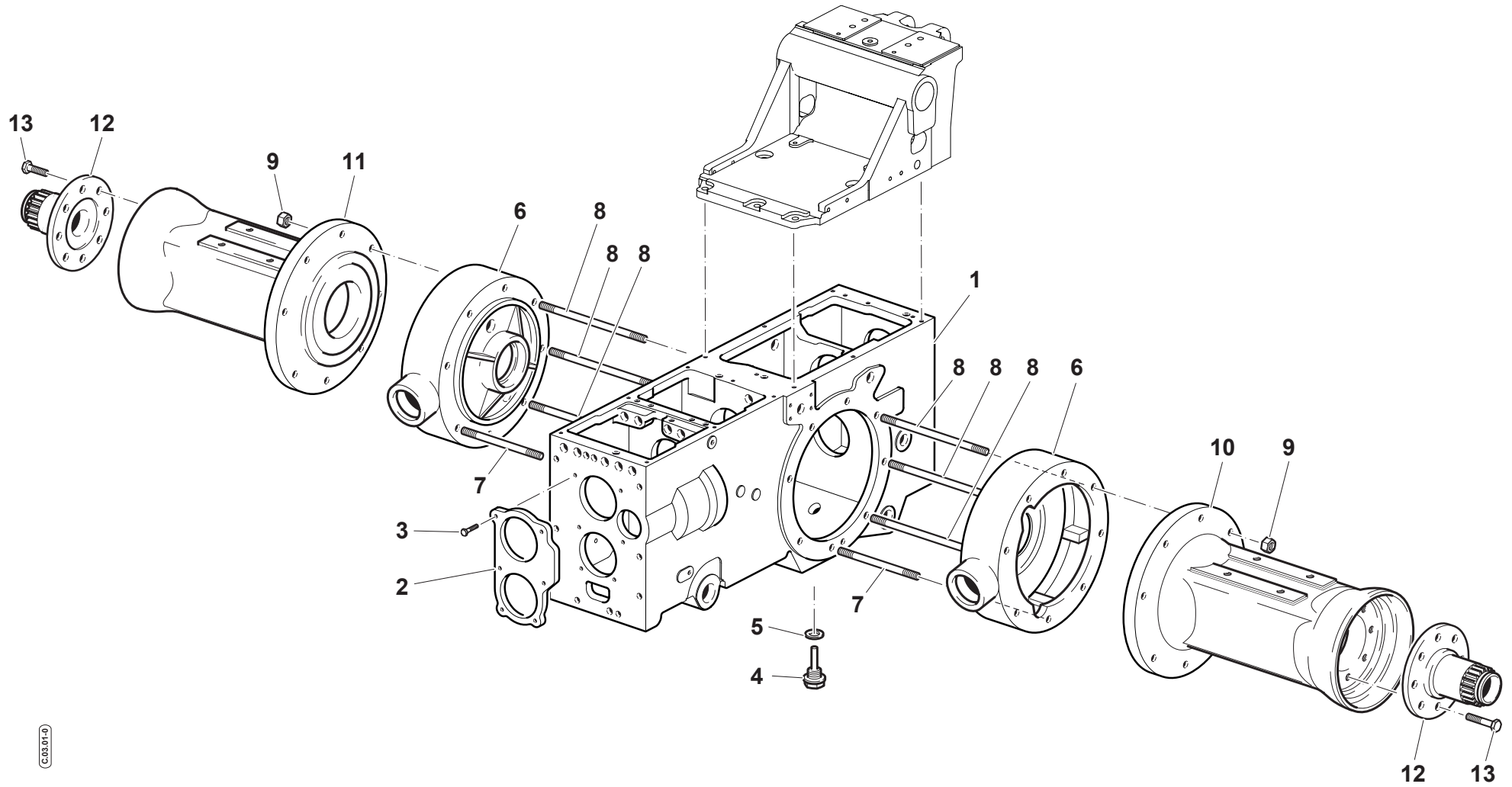
| Pos. | Code        | Q.ty | Description                   | Notes |
|------|-------------|------|-------------------------------|-------|
| 14   | 59070012    | 1    | PIPE                          |       |
| 31   | 59070225    | 1    | ROD                           |       |
| 34   | 59071171    | 2    | HINGE PIN                     |       |
| 12   | F0803209000 | 1    | O-RING                        |       |
| 13   | F0803209070 | 1    | O-RING                        |       |
| 28   | F0812747000 | 4    | BEARING 32006X (30x55x17)     |       |
| 10   | F0814632000 | 2    | NUT M10                       |       |
| 30   | F0814632000 | 4    | NUT M10                       |       |
| 31,1 | F0814797000 | 1    | SELFLOCK NUT                  |       |
| 33,1 | F0814797000 | 1    | SELFLOCK NUT                  |       |
| 23   | F0826038000 | 4    | LUBRICATOR M8x1,25 UNI 7663A  |       |
| 9    | F0838475000 | 2    | STUD BOLT M10X90 UNI 5911 8.8 |       |
| 47   | F0843570000 | 10   | WASHER 6                      |       |
| 36   | F0843643060 | 2    | WASHER 8                      |       |
| 11   | F0843755000 | 2    | WASHER 10                     |       |
| 5    | F0844273090 | 2    | GASKET 22X28X1,5 CU 99,5      |       |
| 25   | F0863267050 | 6    | SCREW M10x25                  |       |
| 22   | F0863358050 | 8    | SCREW                         |       |
| 17   | F0864222010 | 16   | SCREW M14X1,5/40 5738         |       |

CENTRAL SECTION

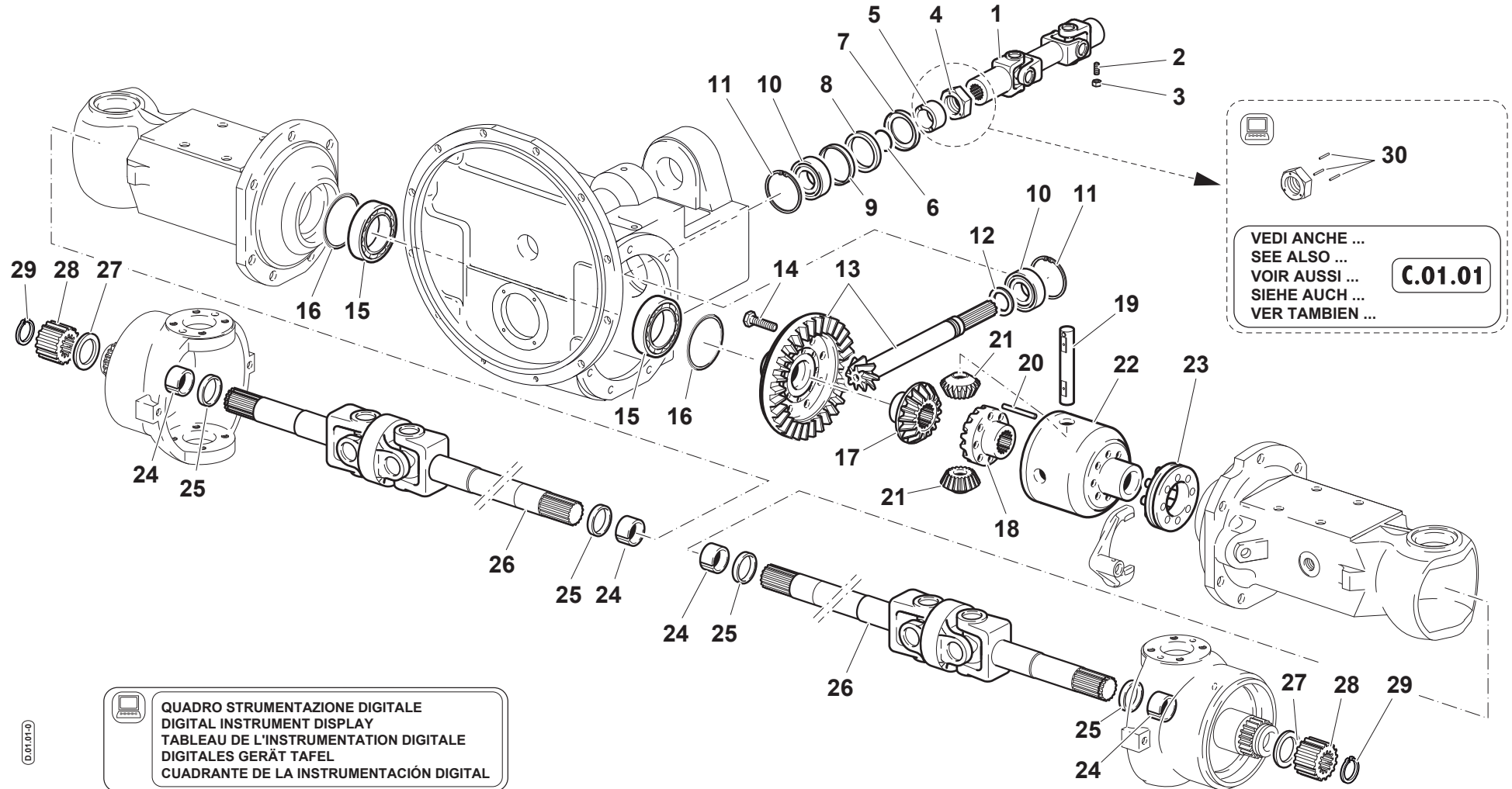




| Pos. | Code        | Q.ty | Description                | Notes |
|------|-------------|------|----------------------------|-------|
| 10   | 31112146    | 2    | SCREW TE M8X22 UNI 5739 8G |       |
| 9    | 56170364    | 2    | SPACER                     |       |
| 1,2  | 56276371    | 1    | BUSHING                    |       |
| 1,1  | 56276372    | 1    | BUSHING                    |       |
| 7    | 56474013    | 1    | PIN                        |       |
| 1,3  | 56570016    | 2    | CYLINDRICAL PLUG           |       |
| 1,4  | 58070743    | 5    | PLUG                       |       |
| 6    | 58170013    | 1    | SCREW                      |       |
| 8    | 59075813    | 1    | BRACKET                    |       |
| 1    | 59276001    | 1    | CLUTCH HOUSING             |       |
| 11   | F0843643060 | 2    | WASHER 8                   |       |
| 2    | F0852540050 | 1    | PLUG                       |       |
| 3    | F0863925000 | 7    | SCREW M12X40 UNI 5737      |       |
| 4/01 | F0863925000 | 1    | SCREW M12X40 UNI 5737      |       |
| 5    | F0863951000 | 1    | SCREW M12X45 UNI 5737      |       |
| 4/02 | F0863997010 | 1    | SCREW M12X50 UNI 5737      |       |



| Pos. | Code        | Q.ty | Description                | Notes |
|------|-------------|------|----------------------------|-------|
| 3    | 31112151    | 6    | SCREW TE M8X25 UNI 5739 8G |       |
| 7    | 31313300    | 10   | STUD BOLT M14X1,5X105      |       |
| 8    | 31313320    | 6    | STUD BOLT M14X1,5X120      |       |
| 6    | 51170020    | 2    | BRAKE HOUSING              |       |
| 2    | 51173650    | 1    | FRONT COVER                |       |
| 11   | 51173803    | 1    | BOX                        |       |
| 10   | 51173804    | 1    | REDUCTION BOX              |       |
| 1    | 51173821    | 1    | GEAR BOX                   |       |
| 12   | 56373800    | 2    | SUPPORT                    |       |
| 4    | 58170021    | 1    | PLUG                       |       |
| 9    | F0814750010 | 16   | NUT M14X1,5                |       |
| 5    | F0844273090 | 1    | GASKET 22X28X1,5 CU 99,5   |       |
| 13   | F0863890010 | 16   | SCREW M12x1,75x35          |       |



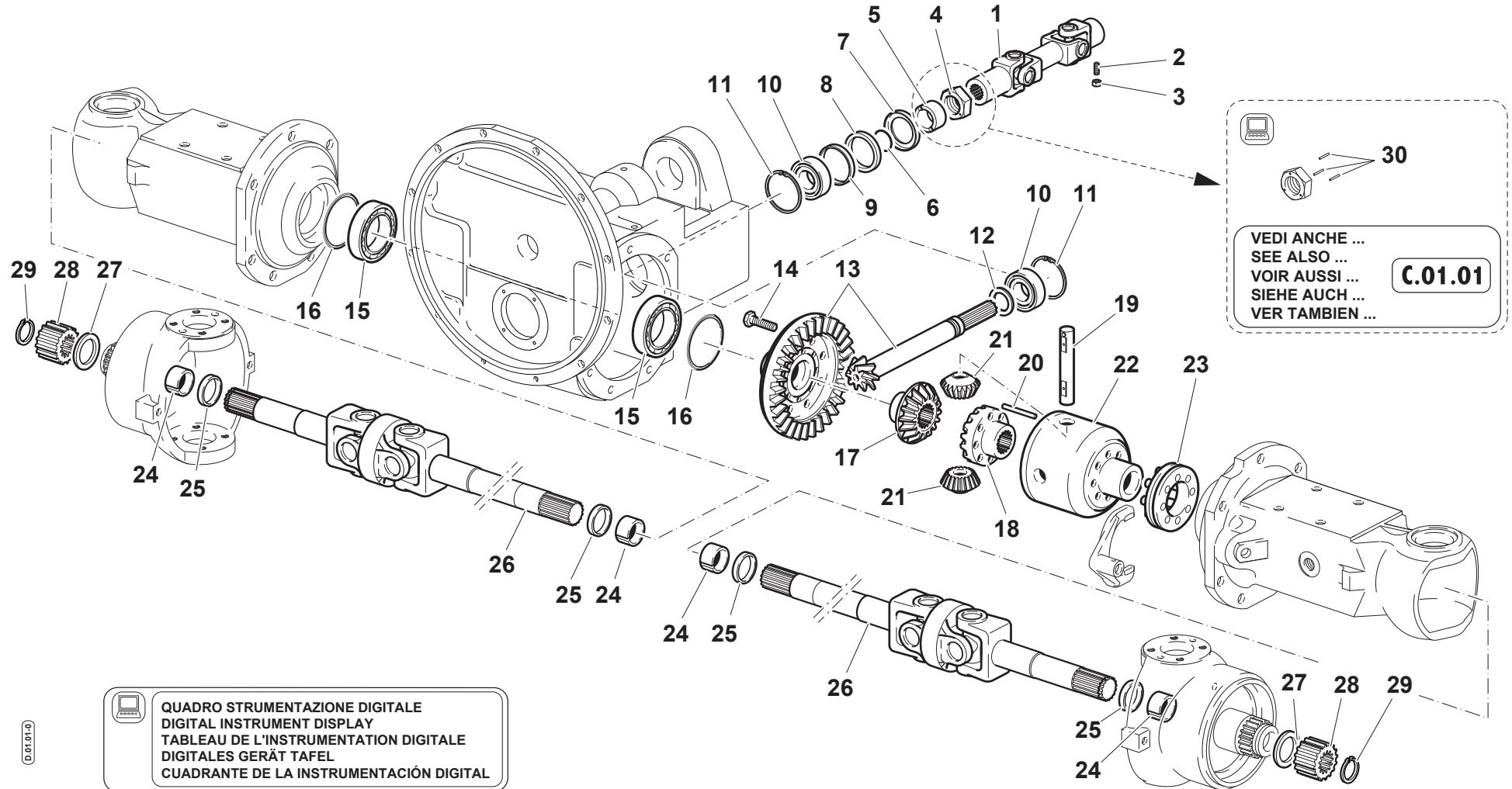
| Pos. | Code        | Q.ty | Description                | Notes |
|------|-------------|------|----------------------------|-------|
| 22   | 51371035    | 1    | HOUSING                    |       |
| 18   | 52470063    | 1    | PINION                     |       |
| 17   | 52470064    | 1    | PINION                     |       |
| 21   | 52470067    | 2    | DIFFERENTIAL PINION        |       |
| 28   | 52470086    | 2    | CROWN WHEEL                |       |
| 9    | 56170213    | 1    | SPACER                     |       |
| 7    | 56170214    | 1    | PROTECTIVE RING D=72       |       |
| 16   | 56370089    |      | RING                       |       |
| 16   | 56370127    |      | RING                       |       |
| 16   | 56370128    |      | RING                       |       |
| 12   | 56370209    |      | SHIM                       |       |
| 12   | 56370210    |      | SHIM                       |       |
| 12   | 56370211    |      | SHIM                       |       |
| 12   | 56370212    |      | SHIM                       |       |
| 20   | 56371037    | 2    | PIN                        |       |
| 4    | 56372536    | 1    | RING NUT                   |       |
| 5    | 56470215    | 1    | SPACER                     |       |
| 27   | 56470216    | 2    | SHIM                       |       |
| 19   | 56471036    | 1    | PIN                        |       |
| 24   | 58170039    | 4    | BUSHING                    |       |
| 26   | 58170107    | 2    | JOINT                      |       |
| 1    | 58174552    | 1    | JOINT                      |       |
| 23   | 59070065    | 1    | SLEEVE                     |       |
| 13   | 59374548    | 1    | BEVEL GEAR                 |       |
| 29   | F0801218010 | 2    | SEEGER RING                |       |
| 11   | F0801422010 | 2    | SEEGER RING                |       |
| 25   | F0802119050 | 4    | SEAL 30x44x11              |       |
| 8    | F0802239045 | 1    | SEAL 50x72x8               |       |
| 6    | F0803078100 | 1    | O-RING                     |       |
| 10   | F0812859000 | 2    | BEARING 32207              |       |
| 15   | F0812956000 | 2    | BEARING 32010 X/Q          |       |
| 3    | F0814574000 | 1    | NUT                        |       |
| 30   | F0851044000 | 3    | PIN 3,0X26 DIN 1481 CL:C72 |       |
| 2    | F0862593050 | 1    | SCREW M8X20 UNI 5927       |       |

SERIAL

**FRONT TRANSMISSION**

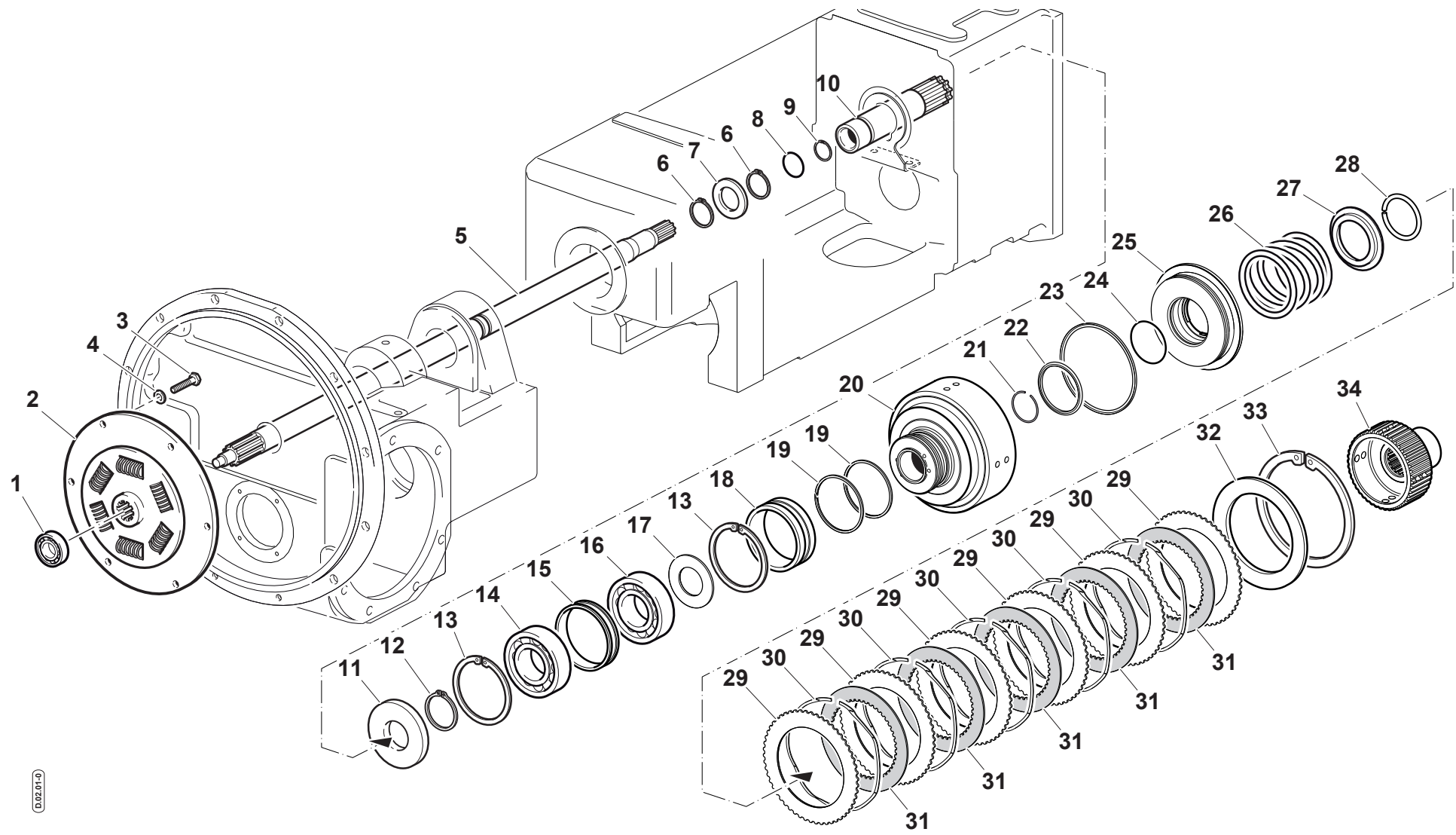
CODE REV

**D.01.01.L50017\_0**



| Pos. | Code        | Q.ty | Description      | Notes |
|------|-------------|------|------------------|-------|
| 14   | F0863311250 | 8    | SCREW M10x1,5x32 |       |

# CLUTCH FRONT SHAFT/ TRANSMISSION CLUTCH





| Pos. | Code        | Q.ty | Description                | Notes |
|------|-------------|------|----------------------------|-------|
| 3    | 31112148    | 6    | SCREW TE M8X18 UNI 5739 8G |       |
| 4    | 31421083    | 6    | WASHER                     |       |
| 13   | 35111080    | 2    | SEEGER RING                |       |
| 6    | 35121030    | 2    | SEEGER RING                |       |
| 14   | 37111354    | 1    | BEARING                    |       |
| 24   | 38104412    | 1    | O-RING                     |       |
| 8    | 38112507    | 1    | O-RING                     |       |
| 34   | 52473655    | 1    | HUB                        |       |
| 10   | 52473658    | 1    | SHAFT                      |       |
| 20   | 52573648    | 1    | CLUTCH HOUSING             |       |
| 25   | 53273025    | 1    | PISTON                     |       |
| 15   | 56175670    | 1    | SPACER                     |       |
| 32   | 56370037    | 1    | CLUTCH DISC                |       |
| 27   | 56370267    | 1    | RING                       |       |
| 17   | 56371162    | 1    | SHIM                       |       |
| 18   | 56470002    | 1    | BUSHING                    |       |
| 5    | 56573662    | 1    | FRONT CLUTCH SHAFT         |       |
| 7    | 57371049    | 1    | WASHER D.44x30,2/4         |       |
| 26   | 58070262    | 1    | RESTORING SPRING           |       |
| 28   | 58070268    | 1    | CIRCLIP                    |       |
| 29   | 58170034    | 6    | DISC                       |       |
| 19   | 58170306    | 2    | SEAL                       |       |
| 22   | 58170443    | 1    | GASKET                     |       |
| 31   | 58172105    | 5    | DISC                       |       |
| 30   | 58172106    | 5    | SPRING                     |       |
| 23   | 58172400    | 1    | GASKET                     |       |
| 2    | 58174716    | 1    | JOINT                      |       |
| 9    | F0801138010 | 1    | SEEGER RING                |       |
| 12   | F0801264050 | 1    | SEEGER RING                |       |
| 21   | F0801266100 | 1    | SAFETY RING                |       |
| 33   | F0801455100 | 1    | SEEGER RING                |       |
| 11   | F0802163010 | 1    | SEAL 35x80/10              |       |
| 1    | F0812523050 | 1    | BEARING 6201-2RS           |       |
| 16   | F0812868060 | 1    | BEARING 6307-Z (35X80X21)  |       |

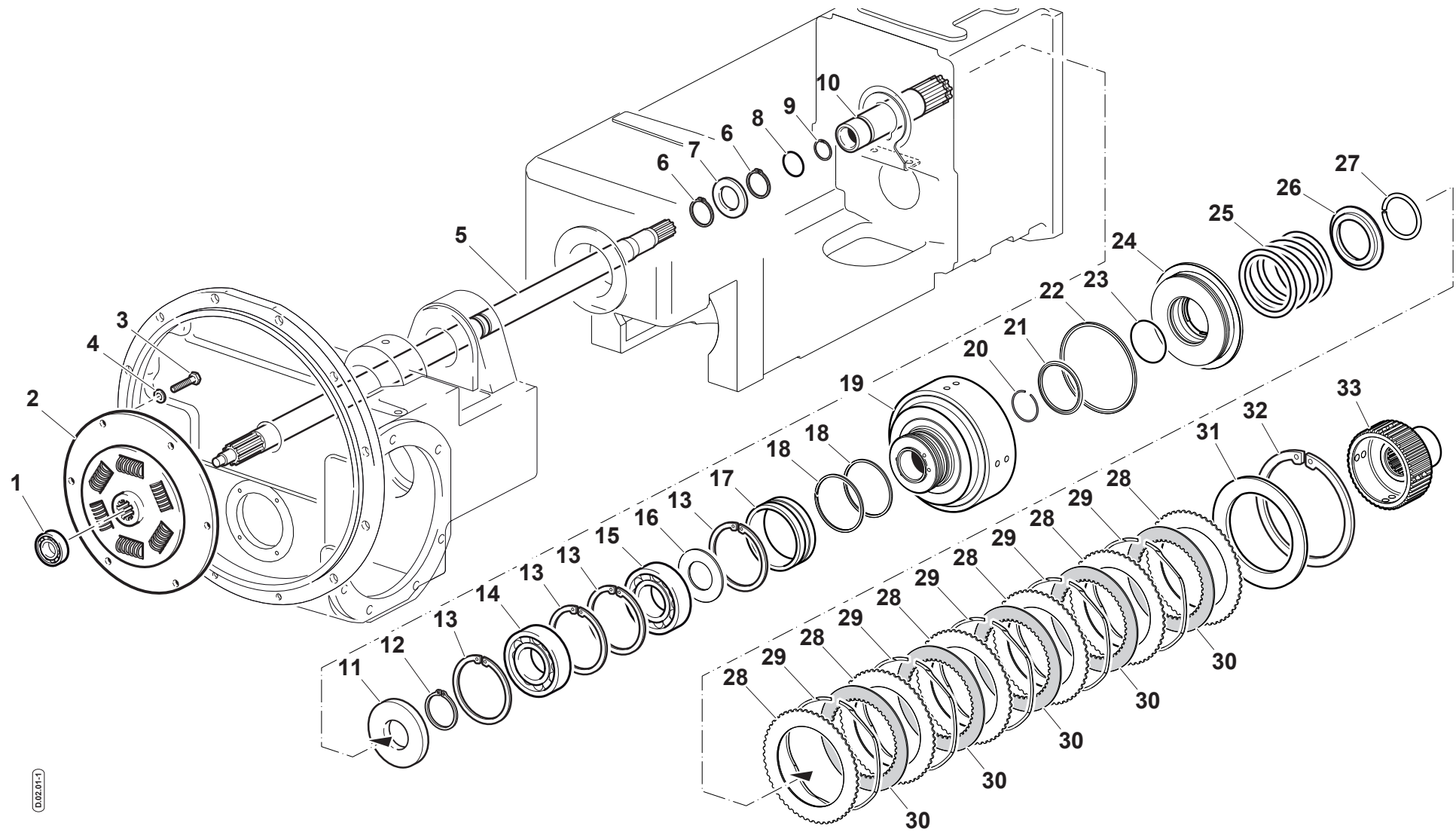
SERIAL

**CLUTCH FRONT SHAFT/ TRANSMISSION CLUTCH**

CODE REV

**D.02.01.L50017\_0**

# CLUTCH FRONT SHAFT/ TRANSMISSION CLUTCH



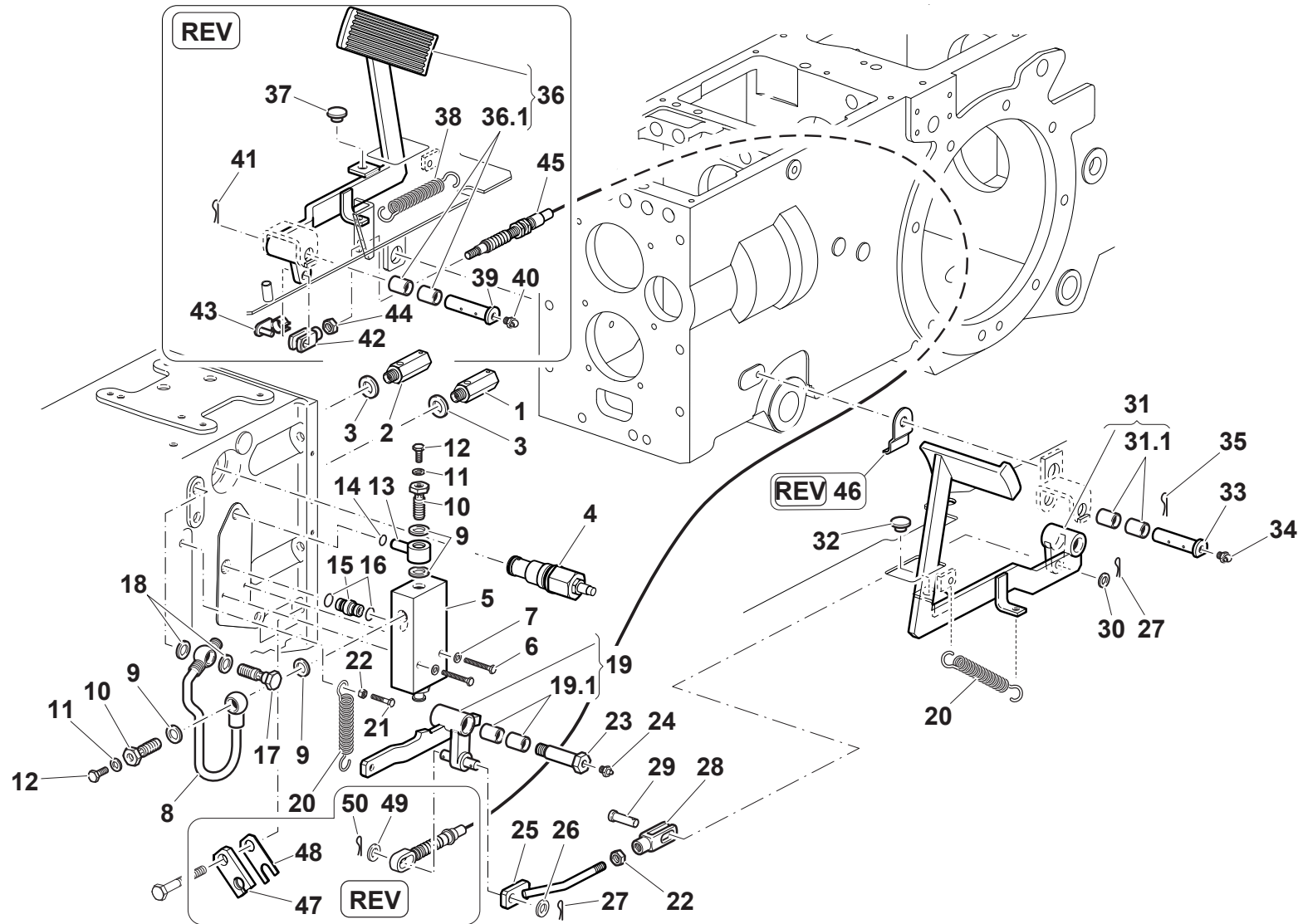
| Pos. | Code        | Q.ty | Description                | Notes |
|------|-------------|------|----------------------------|-------|
| 3    | 31112148    | 6    | SCREW TE M8X18 UNI 5739 8G |       |
| 4    | 31421083    | 6    | WASHER                     |       |
| 13   | 35111080    | 4    | SEEGER RING                |       |
| 6    | 35121030    | 2    | SEEGER RING                |       |
| 14   | 37111354    | 1    | BEARING                    |       |
| 23   | 38104412    | 1    | O-RING                     |       |
| 8    | 38112507    | 1    | O-RING                     |       |
| 33   | 52473655    | 1    | HUB                        |       |
| 10   | 52473658    | 1    | SHAFT                      |       |
| 19   | 52573648    | 1    | CLUTCH HOUSING             |       |
| 24   | 53273025    | 1    | PISTON                     |       |
| 31   | 56370037    | 1    | CLUTCH DISC                |       |
| 26   | 56370267    | 1    | RING                       |       |
| 16   | 56371162    | 1    | SHIM                       |       |
| 17   | 56470002    | 1    | BUSHING                    |       |
| 5    | 56573662    | 1    | FRONT CLUTCH SHAFT         |       |
| 7    | 57371049    | 1    | WASHER D.44x30,2/4         |       |
| 25   | 58070262    | 1    | RESTORING SPRING           |       |
| 27   | 58070268    | 1    | CIRCLIP                    |       |
| 28   | 58170034    | 6    | DISC                       |       |
| 18   | 58170306    | 2    | SEAL                       |       |
| 21   | 58170443    | 1    | GASKET                     |       |
| 30   | 58172105    | 5    | DISC                       |       |
| 29   | 58172106    | 5    | SPRING                     |       |
| 22   | 58172400    | 1    | GASKET                     |       |
| 2    | 58174716    | 1    | JOINT                      |       |
| 9    | F0801138010 | 1    | SEEGER RING                |       |
| 12   | F0801264050 | 1    | SEEGER RING                |       |
| 20   | F0801266100 | 1    | SAFETY RING                |       |
| 32   | F0801455100 | 1    | SEEGER RING                |       |
| 11   | F0802163010 | 1    | SEAL 35x80/10              |       |
| 1    | F0812523050 | 1    | BEARING 6201-2RS           |       |
| 15   | F0812868060 | 1    | BEARING 6307-Z (35X80X21)  |       |

SERIAL

**CLUTCH FRONT SHAFT/ TRANSMISSION CLUTCH**

CODE REV

**D.02.01.L50017\_1**



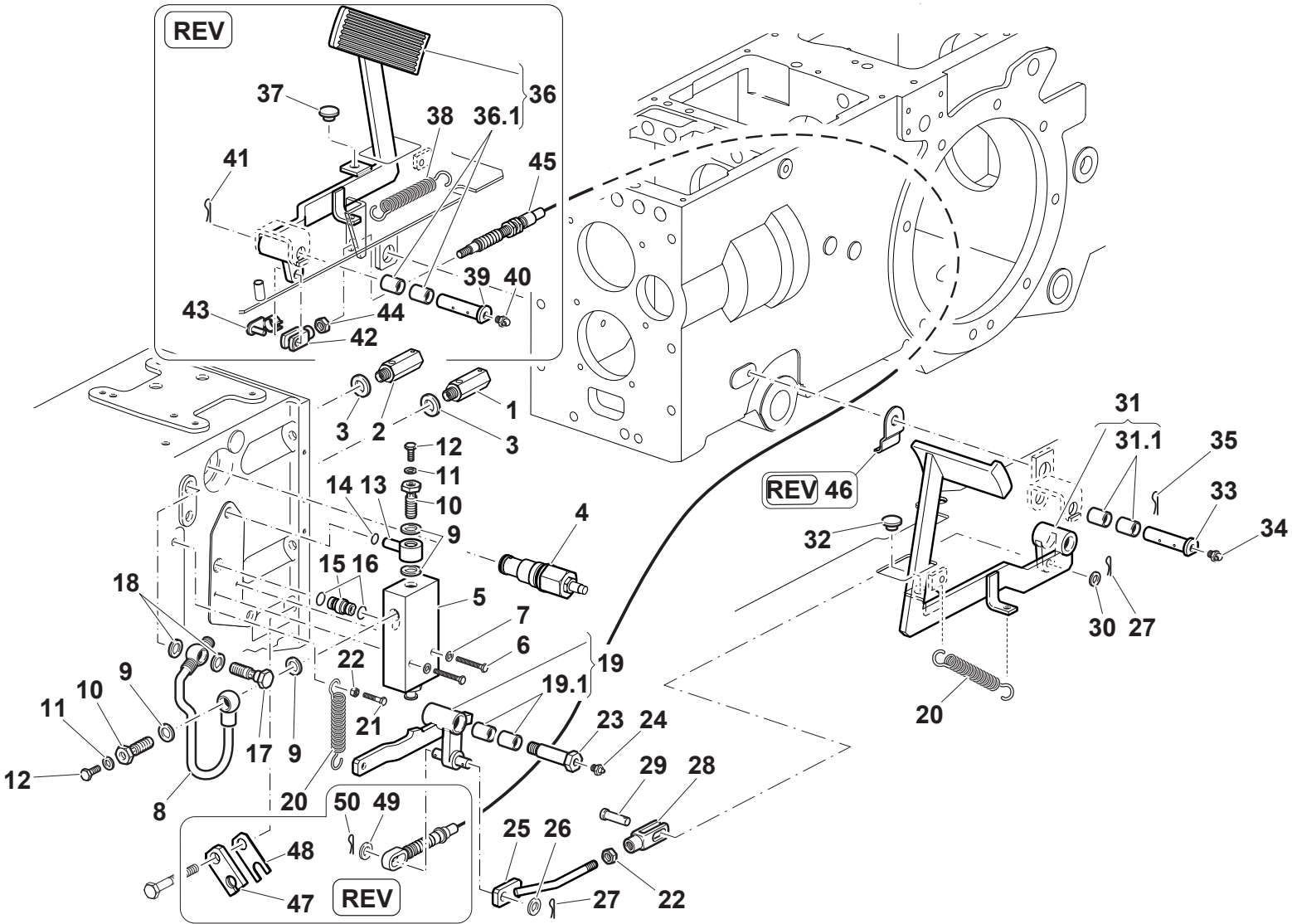
| Pos. | Code        | Q.ty | Description                | Notes |
|------|-------------|------|----------------------------|-------|
| 24   | 30000007    | 1    | LUBRICATOR                 |       |
| 30   | 31411084    | 1    | WASHER 8,4x17              |       |
| 26   | 31411105    | 1    | WASHER 10,5x21             |       |
| 49   | 31411105    | 1    | WASHER 10,5x21             |       |
| 28   | 56074302    | 1    | FORK                       |       |
| 46   | 56075230    | 1    | BRACKET                    |       |
| 15   | 56170029    | 1    | PIPE FITTING               |       |
| 23   | 56173684    | 1    | PIN                        |       |
| 47   | 56174400    | 1    | PLATE                      |       |
| 48   | 56174401    | 1    | FIXING PLATE               |       |
| 33   | 56373194    | 1    | HINGE PIN                  |       |
| 20   | 58070790    | 2    | RESTORING SPRING           |       |
| 38   | 58070790    | 1    | RESTORING SPRING           |       |
| 10   | 58074558    | 2    | PIPE FITTING               |       |
| 5    | 58173030    | 1    | SWITCH                     |       |
| 19,1 | 58173195    | 2    | BUSHING                    |       |
| 31,1 | 58173195    | 2    | BUSHING                    |       |
| 36,1 | 58173195    | 2    | BUSHING                    |       |
| 4    | 58173961    | 1    | VALVE                      |       |
| 45   | 58174417    | 1    | CABLE                      |       |
| 25   | 59073685    | 1    | ROD                        |       |
| 19   | 59073725    | 1    | ROCKER                     |       |
| 36   | 59074081    | 1    | PEDAL                      |       |
| 31   | 59074206    | 1    | CLUTCH PEDAL               |       |
| 39   | 59074296    | 1    | PEDAL                      |       |
| 13   | 59074623    | 1    | PRESSURE PIPE              |       |
| 8    | 59074741    | 1    | PIPE                       |       |
| 1    | 59271860    | 1    | VALVE                      |       |
| 2    | 59276708    | 1    | VALVE                      |       |
| 16   | F0803057000 | 2    | O-RING                     |       |
| 14   | F0803171100 | 1    | O-RING                     |       |
| 27   | F0810510000 | 2    | SPLIT PIN A2,0X20 UNI 1336 |       |
| 50   | F0810510000 | 1    | SPLIT PIN A2,0X20 UNI 1336 |       |
| 35   | F0810527000 | 1    | FRONT COVER                |       |

SERIAL

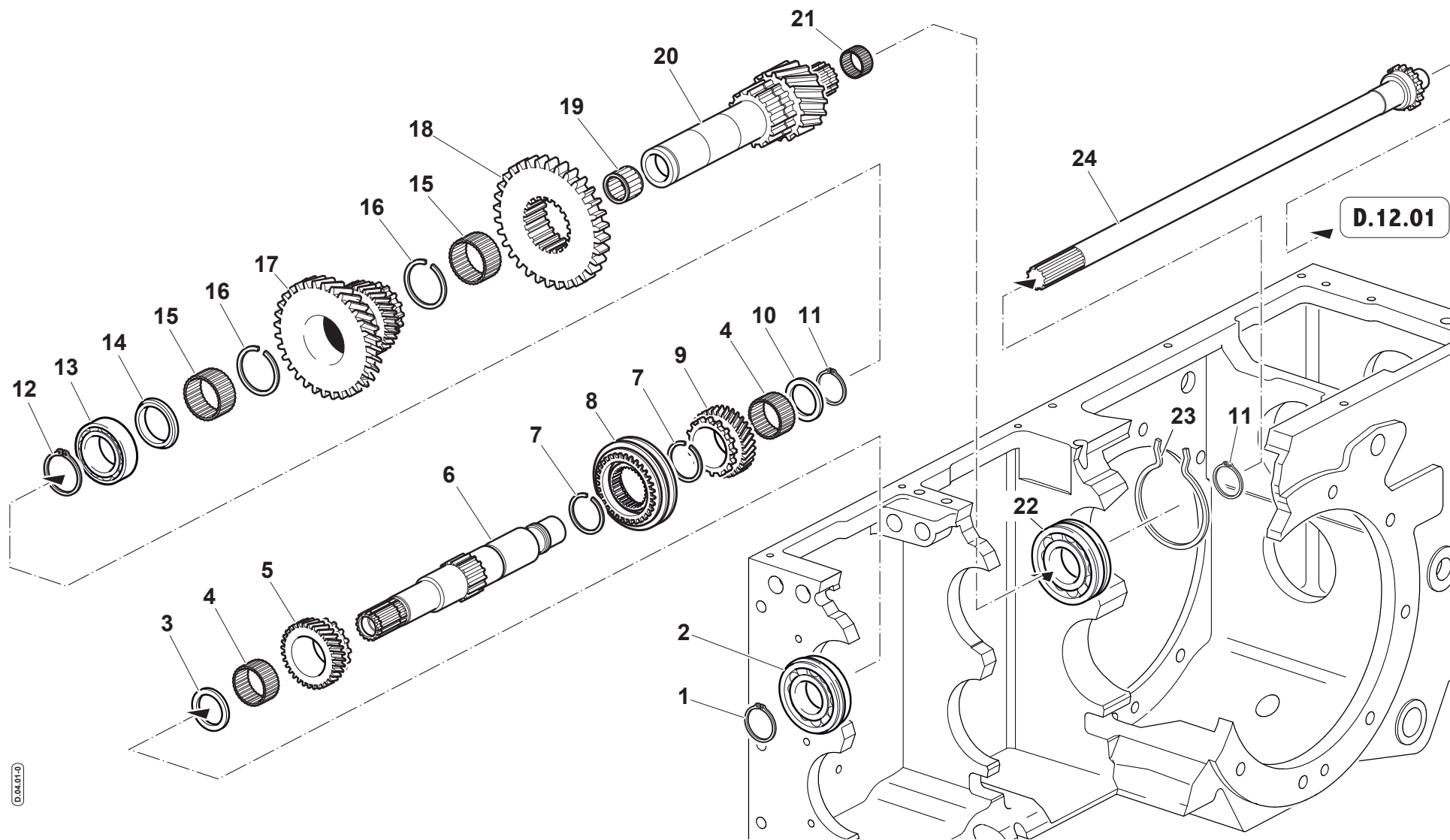
## CLUTCH CONTROLS

CODE REV

D.03.01.L50017\_0



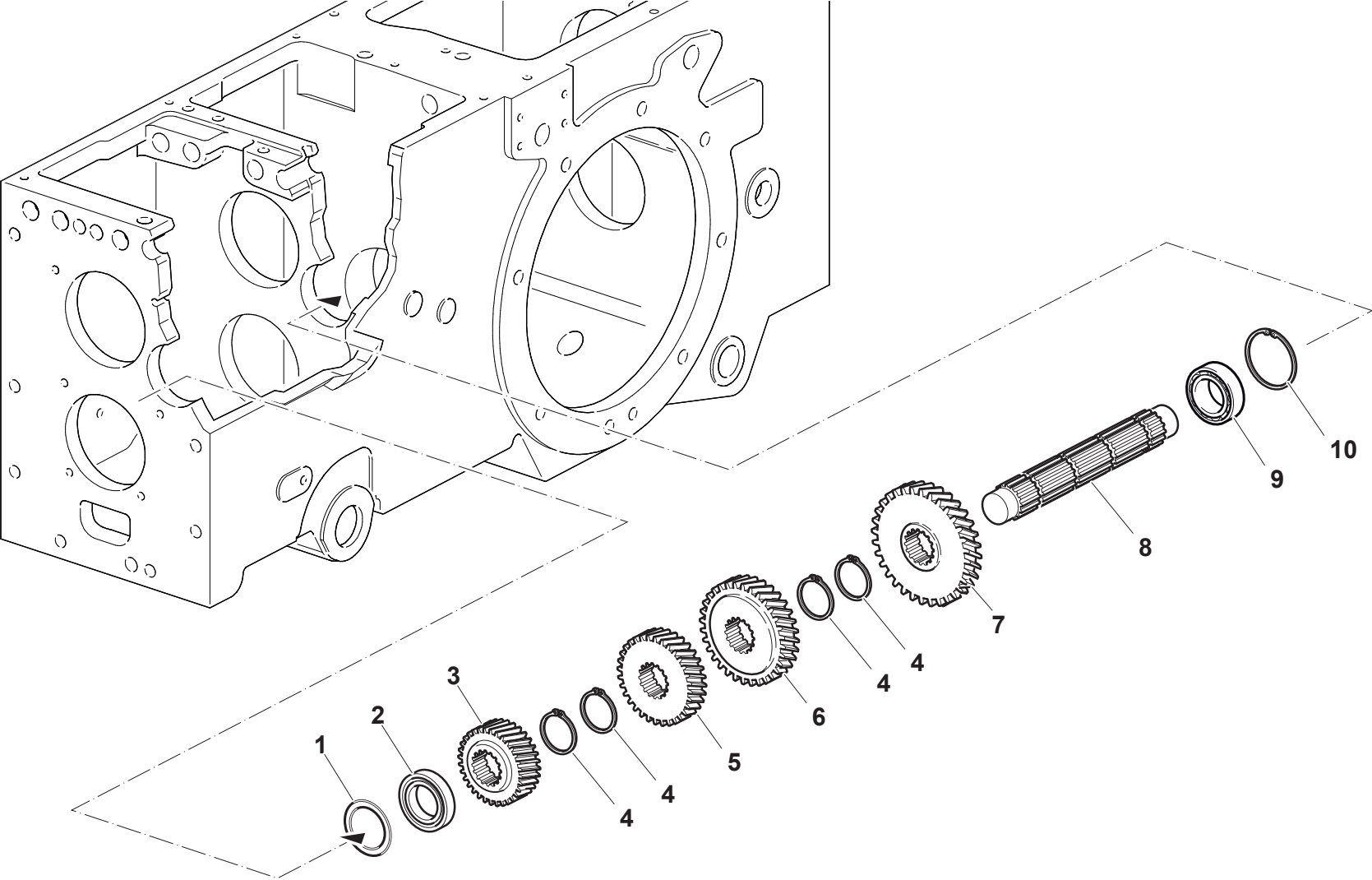
| Pos. | Code        | Q.ty | Description                | Notes |
|------|-------------|------|----------------------------|-------|
| 41   | F0810527000 | 1    | FRONT COVER                |       |
| 22   | F0814569000 | 2    | NUT                        |       |
| 44   | F0814569000 | 1    | NUT                        |       |
| 32   | F0822537050 | 1    | BUFFER                     |       |
| 37   | F0822537050 | 1    | BUFFER                     |       |
| 18   | F0824110000 | 2    | COPPER WASHER 3/8 GAS      |       |
| 34   | F0826039000 | 1    | LUBRICATOR                 |       |
| 40   | F0826039000 | 1    | LUBRICATOR                 |       |
| 29   | F0835523000 | 1    | PIN                        |       |
| 17   | F0843109020 | 1    | PIPE FITTING               |       |
| 7    | F0843581010 | 2    | SPRING WASHER 6            |       |
| 11   | F0843641000 | 2    | COPPER WASHER 8x14/1,5     |       |
| 3    | F0843841000 | 2    | COPPER WASHER 12,0x18/1,5  |       |
| 9    | F0843907000 | 4    | COPPER WASHER 13,66x19/1,5 |       |
| 42   | F0860060010 | 1    | FORK                       |       |
| 43   | F0860060020 | 1    | PIN                        |       |
| 6    | F0862345000 | 2    | SCREW M6X40 UNI 5737       |       |
| 12   | F0862448100 | 2    | SCREW M8X10 UNI 5740       |       |
| 21   | F0862694000 | 1    | SCREW M8X170 UNI 5737      |       |



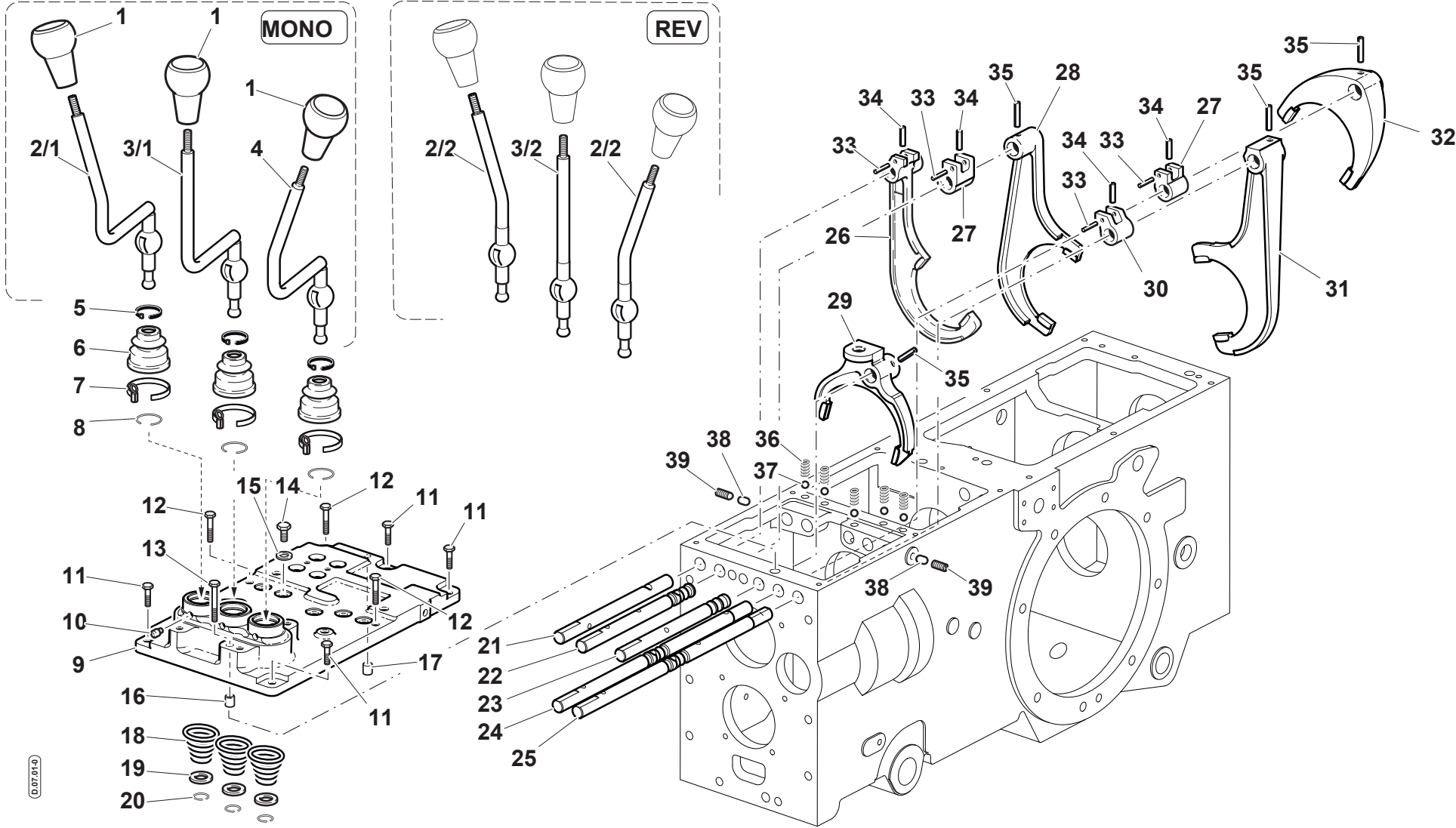


| Pos. | Code        | Q.ty | Description                | Notes |
|------|-------------|------|----------------------------|-------|
| 11   | 35121040    | 2    | SEEGER RING                |       |
| 18   | 52470762    | 1    | SLIDING GEAR               |       |
| 24   | 52473656    | 1    | SHAFT                      |       |
| 5    | 52473838    | 1    | DRIVEN GEAR                |       |
| 9    | 52473839    | 1    | GEAR                       |       |
| 17   | 52474254    | 1    | DOUBLE GEAR                |       |
| 20   | 52475073    | 1    | OUTPUT SHAFT               |       |
| 3    | 56470110    | 1    | SHIM                       |       |
| 14   | 56470111    | 1    | SHIM                       |       |
| 10   | 56470139    | 1    | SHIM                       |       |
| 6    | 56473818    | 1    | SHAFT                      |       |
| 23   | 58170130    | 1    | CIRCLIP                    |       |
| 8    | 58170279    | 1    | LOCK SYNCHRONIZER          |       |
| 1    | F0801264050 | 1    | SEEGER RING                |       |
| 7    | F0801331150 | 2    | SAFETY RING                |       |
| 12   | F0801353000 | 1    | SEEGER RING                |       |
| 16   | F0801380100 | 2    | SAFETY RING                |       |
| 21   | F0812660020 | 1    | ROLLER CAGE K 22X26/17     |       |
| 19   | F0812783000 | 1    | ROLLER CAGE K 32X38/20     |       |
| 2    | F0812868000 | 1    | BEARING 6307-NR            |       |
| 4    | F0812878040 | 2    | ROLLER CAGE K 40X45/27     |       |
| 22   | F0812918010 | 1    | BEARING 6308-NR (40x90x23) |       |
| 15   | F0812951200 | 2    | ROLLER CAGE K 50X55/20 H   |       |
| 13   | F0812952000 | 1    | BEARING 6010               |       |

GEARS MAIN SHAFT/GEARS



| Pos. | Code        | Q.ty | Description     | Notes |
|------|-------------|------|-----------------|-------|
| 10   | 35111052    | 1    | SEEGER RING     |       |
| 9    | 37111255    | 1    | BEARING         |       |
| 8    | 52473827    | 1    | OUTPUT SHAFT    |       |
| 3    | 52473828    | 1    | GEAR            |       |
| 5    | 52473829    | 1    | GEAR            |       |
| 6    | 52473830    | 1    | GEAR            |       |
| 7    | 52473831    | 1    | GEAR            |       |
| 4    | F0801241010 | 4    | SEEGER RING     |       |
| 2    | F0812708030 | 1    | BEARING NJ 205E |       |
| 1    | F0850100000 | 1    | SHIM 41x51/0,2  |       |
| 1    | F0850100010 | 1    | SHIM 41x51/0,3  |       |
| 1    | F0850100020 | 1    | SHIM 41x51/0,5  |       |



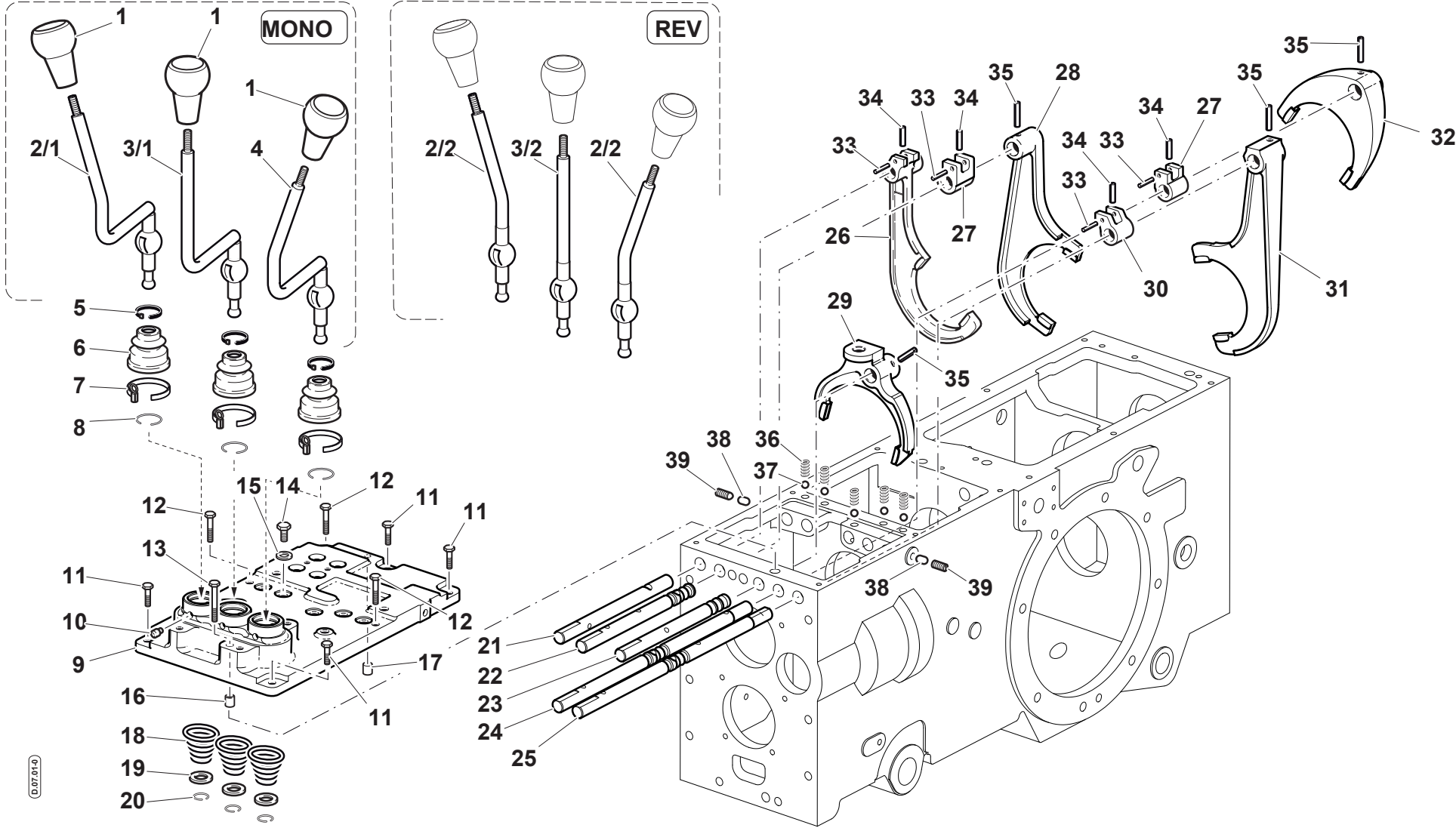
| Pos.   | Code        | Q.ty | Description                | Notes |
|--------|-------------|------|----------------------------|-------|
| 11     | 31112146    | 4    | SCREW TE M8X22 UNI 5739 8G |       |
| 12     | 31112152    | 3    | SCREW TE M8X30 UNI 5739 8G |       |
| 9      | 51174394    | 1    | COVER                      |       |
| 32     | 51270771    | 1    | SELECTOR FORK              |       |
| 31     | 51273893    | 1    | SELECTOR FORK              |       |
| 28     | 52272112    | 1    | SELECTOR FORK              |       |
| 29     | 52273364    | 1    | SELECTOR FORK              |       |
| 26     | 52274299    | 1    | SELECTOR FORK              |       |
| 02-feb | 52374189    | 2    | COMMAND LEVER              |       |
| 27     | 52374297    | 2    | CATCH                      |       |
| 30     | 52374298    | 1    | CATCH                      |       |
| 03-feb | 52374386    | 1    | COMMAND LEVER              |       |
| 6      | 55170053    | 3    | CAP                        |       |
| 16     | 56170017    | 1    | PIN                        |       |
| 10     | 56370018    | 6    | HINGE PIN                  |       |
| 25     | 56370154    | 1    | PULL ROD                   |       |
| 23     | 56370165    | 1    | ROD                        |       |
| 19     | 56370172    | 3    | SPACER                     |       |
| 22     | 56370177    | 1    | PULL ROD                   |       |
| 14     | 56370186    | 5    | PLUG                       |       |
| 21     | 56371065    | 1    | PULL ROD                   |       |
| 24     | 56373213    | 1    | PULL ROD                   |       |
| 17     | 56570016    | 1    | CYLINDRICAL PLUG           |       |
| 38     | 56570125    | 2    | TOGGLE                     |       |
| 18     | 58070164    | 3    | SPRING                     |       |
| 20     | 58070168    | 3    | LOCKRING                   |       |
| 8      | 58070169    | 3    | LOCKRING                   |       |
| 36     | 58070741    | 5    | SPRING                     |       |
| 7      | 58170054    | 3    | COLLAR                     |       |
| 1      | 58174192    | 3    | HANDLE                     |       |
| 02-gen | 59074185    | 1    | COMMAND LEVER              |       |
| 4      | 59074188    | 1    | COMMAND LEVER              |       |
| 03-gen | 59074387    | 1    | COMMAND LEVER              |       |
| 5      | F0817640003 | 3    | CLAMP 4,8x180              |       |

SERIAL

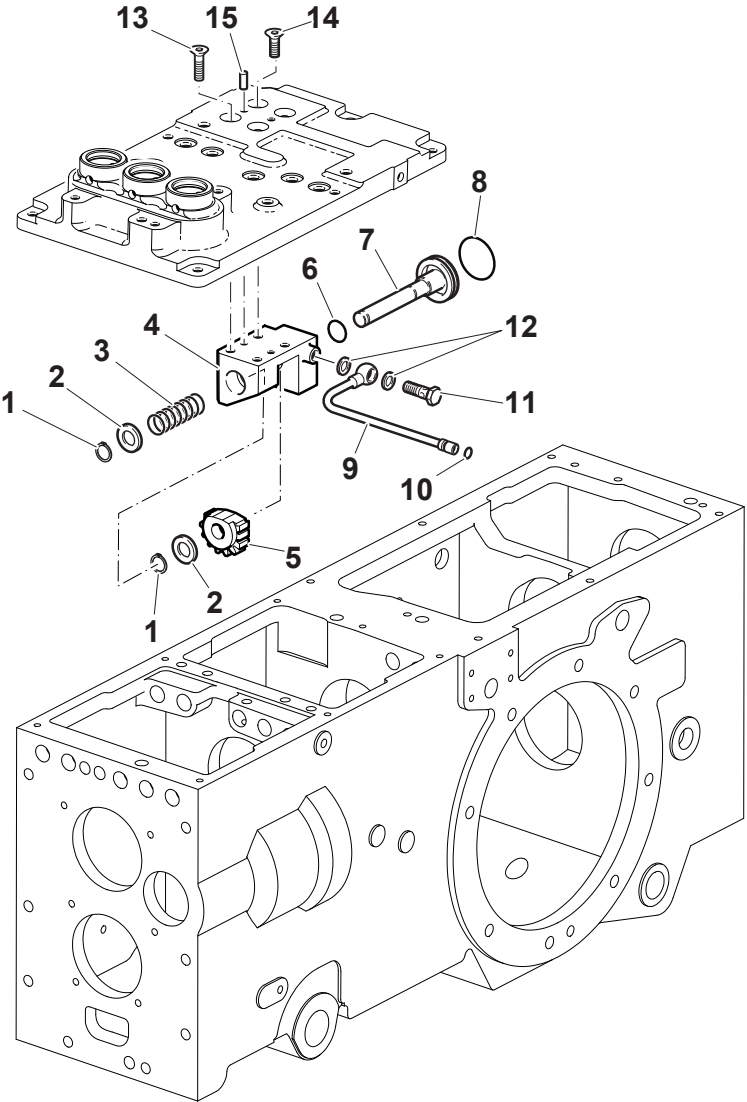
**GEARBOX CONTROLS**

CODE REV

**D.07.01.L50017\_0**

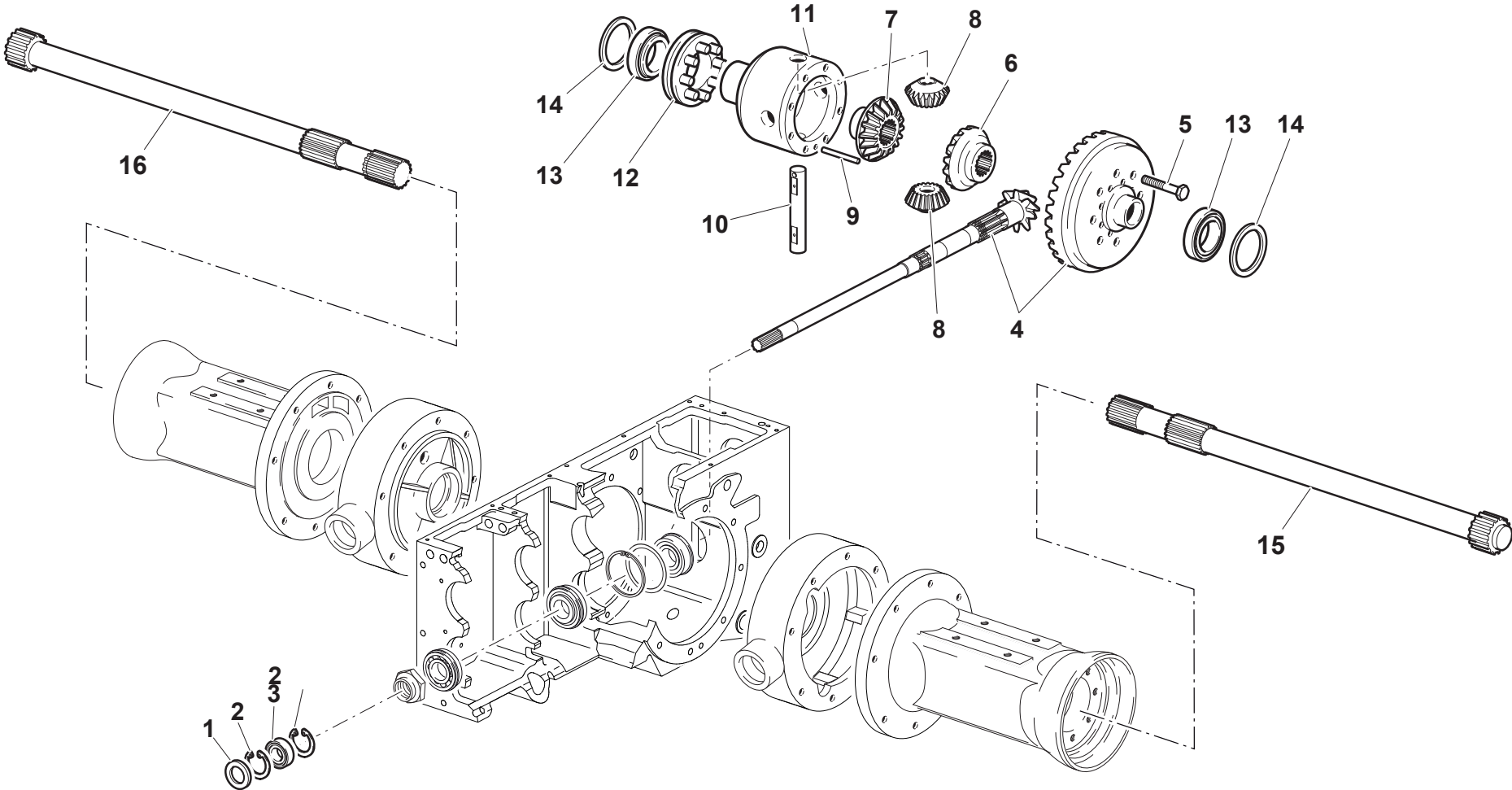


| <b>Pos.</b> | <b>Code</b> | <b>Q.ty</b> | <b>Description</b>       | <b>Notes</b> |
|-------------|-------------|-------------|--------------------------|--------------|
| 15          | F0843771000 | 5           | COPPER WASHER 10,0x16/1  |              |
| 37          | F0847434000 | 5           | BALL                     |              |
| 33          | F0851156000 | 4           | PIN 4X30 DIN 1481 CL:C72 |              |
| 34          | F0851262000 | 4           | PIN 6X26 DIN 7343 CL:C72 |              |
| 35          | F0851267050 | 3           | PIN 6X30 DIN 7343 CL:C72 |              |
| 13          | F0862944000 | 1           | SCREW M8X60 UNI 5737     |              |
| 39          | F0863183000 | 2           | SCREW M10X16 UNI 5923    |              |



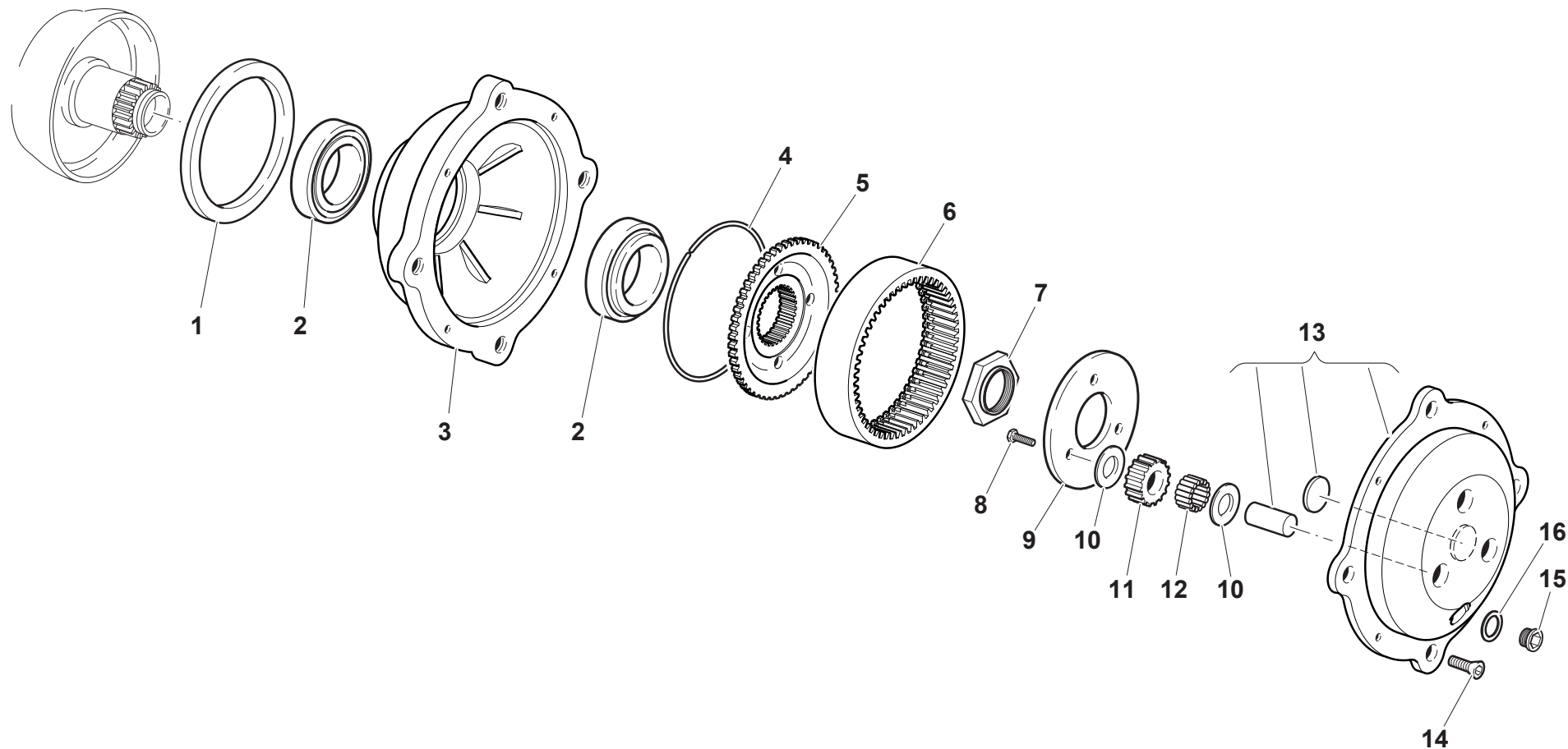


| Pos. | Code        | Q.ty | Description             | Notes |
|------|-------------|------|-------------------------|-------|
| 1    | 35121014    | 0    | SEEGER RING             |       |
| 8    | 38114070    | 0    | O-RING                  |       |
| 15   | 52074435    | 0    | CYLINDRICAL PLUG        |       |
| 5    | 56475839    | 0    | SMALL BLOCK             |       |
| 3    | 58072107    | 0    | SPRING                  |       |
| 9    | 59074436    | 0    | PIPE                    |       |
| 4    | 59074438    | 0    | SMALL BLOCK             |       |
| 7    | 59272073    | 0    | PISTON                  |       |
| 10   | F0803050000 | 0    | O-RING                  |       |
| 6    | F0803186000 | 0    | O-RING                  |       |
| 11   | F0843102000 | 0    | THREADED TERMINAL END   |       |
| 12   | F0843771000 | 0    | COPPER WASHER 10,0x16/1 |       |
| 2    | F0843957000 | 0    | WASHER D.25x14,5/2,2    |       |
| 14   | F0862549000 | 0    | SCREW M8X18 UNI 5933    |       |
| 13   | F0862655000 | 0    | SCREW M8X25-5933        |       |



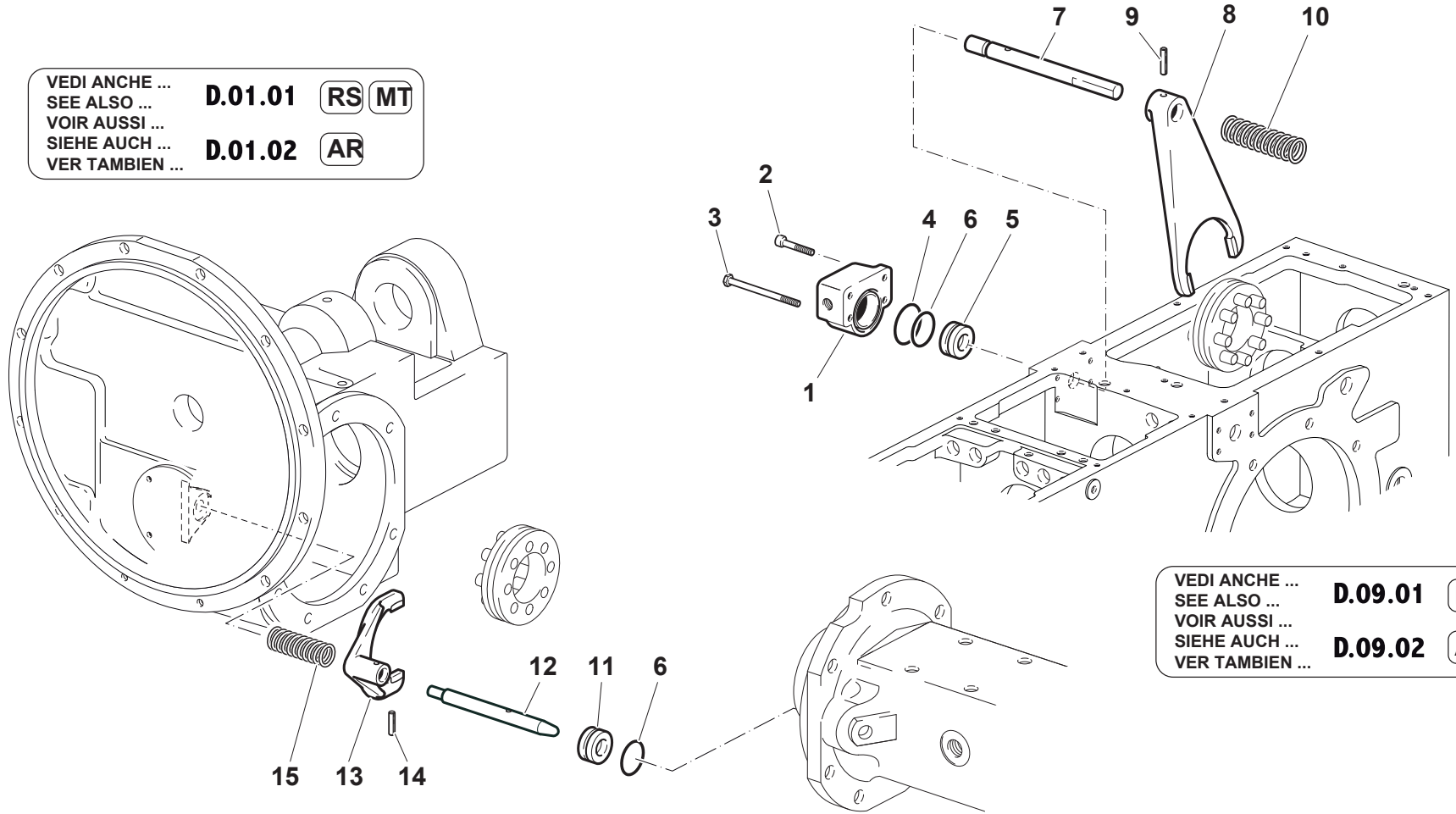
| Pos. | Code        | Q.ty | Description         | Notes |
|------|-------------|------|---------------------|-------|
| 2    | 35111062    | 2    | SEEGER RING         |       |
| 3    | 37111254    | 1    | BEARING             |       |
| 11   | 51371035    | 1    | HOUSING             |       |
| 7    | 52470061    | 1    | PINION              |       |
| 6    | 52470062    | 1    | PINION              |       |
| 8    | 52470067    | 2    | DIFFERENTIAL PINION |       |
| 16   | 52470105    | 1    | REAR AXLE SHAFT     |       |
| 15   | 52470106    | 1    | REAR AXLE SHAFT     |       |
| 14   | 56370089    |      | RING                |       |
| 14   | 56370127    |      | RING                |       |
| 14   | 56370128    |      | RING                |       |
| 14   | 56370830    |      | RING                |       |
| 9    | 56371037    | 2    | PIN                 |       |
| 10   | 56471036    | 1    | PIN                 |       |
| 12   | 59070065    | 1    | SLEEVE              |       |
| 4    | 59374549    | 1    | BEVEL GEAR          |       |
| 1    | F0802104000 | 1    | OIL SEAL 25x62/10   |       |
| 13   | F0812956000 | 2    | BEARING 32010 X/Q   |       |
| 5    | F0863311250 | 8    | SCREW M10x1,5x32    |       |

# EPYCICLIC REDUCTION GEARS



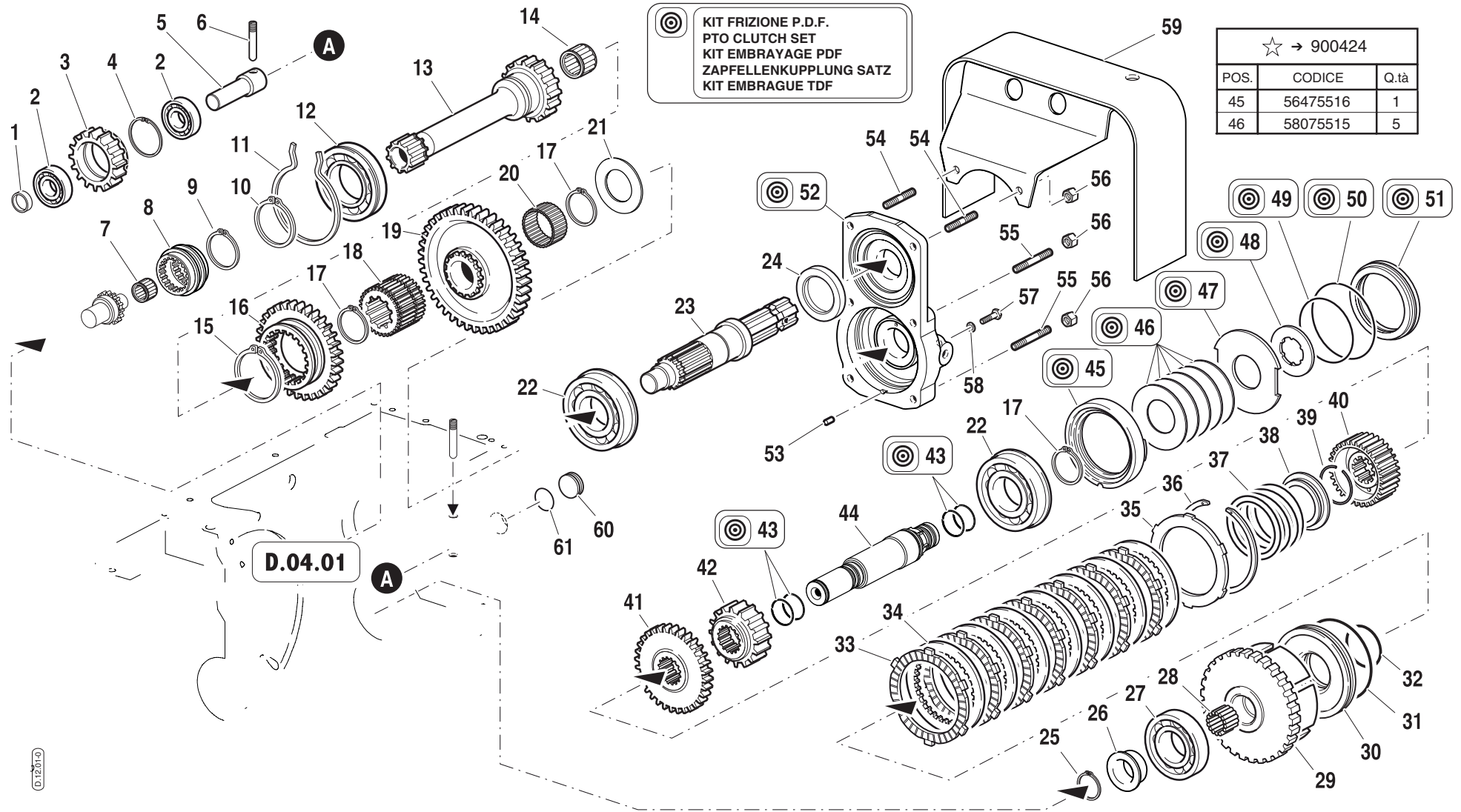
| Pos. | Code        | Q.ty | Description                | Notes |
|------|-------------|------|----------------------------|-------|
| 3    | 51172005    | 1    | HUB                        |       |
| 6    | 52370072    | 1    | CROWN WHEEL                |       |
| 5    | 52370075    | 1    | FLANGE                     |       |
| 11   | 52470087    | 3    | PLANETARY GEAR             |       |
| 9    | 56170074    | 1    | ADJUSTING RING             |       |
| 10   | 56370076    | 6    | SHIM                       |       |
| 7    | 56370079    | 1    | RING NUT                   |       |
| 15   | 56370081    | 1    | PLUG                       |       |
| 4    | 58070071    | 1    | RING                       |       |
| 12   | 58170070    | 3    | ROLLER BEARING             |       |
| 13   | 59070094    | 1    | COVER                      |       |
| 1    | F0802700150 | 1    | SEAL 125x150x12            |       |
| 2    | F0812975250 | 2    | CYL. ROLLER BEARING 32013X |       |
| 16   | F0844273090 | 1    | GASKET 22X28X1,5 CU 99,5   |       |
| 8    | F0862478070 | 3    | SCREW M8x16                |       |
| 14   | F0862655000 | 4    | SCREW M8X25-5933           |       |

VEDI ANCHE ... **D.01.01** **RS** **MT**  
 SEE ALSO ...  
 VOIR AUSSI ...  
 SIEHE AUCH ... **D.01.02** **AR**  
 VER TAMBIEN ...



VEDI ANCHE ... **D.09.01** **RS** **MT**  
 SEE ALSO ...  
 VOIR AUSSI ...  
 SIEHE AUCH ... **D.09.02** **AR**  
 VER TAMBIEN ...

| Pos. | Code        | Q.ty | Description                | Notes |
|------|-------------|------|----------------------------|-------|
| 3    | 31112161    | 2    | SCREW TE M8X50 UNI 5737 8G |       |
| 2    | 31152085    | 2    | SCREW TCEI M8X25 UNI 5931  |       |
| 8    | 51270174    | 1    | FORK                       |       |
| 13   | 51270203    | 1    | FORK                       |       |
| 1    | 52374641    | 1    | SMALL BLOCK                |       |
| 5    | 56370187    | 1    | PISTON                     |       |
| 7    | 56370204    | 1    | LOCKING DEVICE             |       |
| 12   | 56370582    | 1    | LOCKING DEVICE             |       |
| 11   | 56370583    | 1    | PISTON                     |       |
| 10   | 58070198    | 1    | SPRING                     |       |
| 15   | 58070205    | 1    | SPRING                     |       |
| 6    | 58170195    | 2    | GASKET                     |       |
| 4    | F0803209000 | 1    | O-RING                     |       |
| 14   | F0851260000 | 1    | PIN                        |       |
| 9    | F0851267050 | 1    | PIN 6X30 DIN 7343 CL:C72   |       |





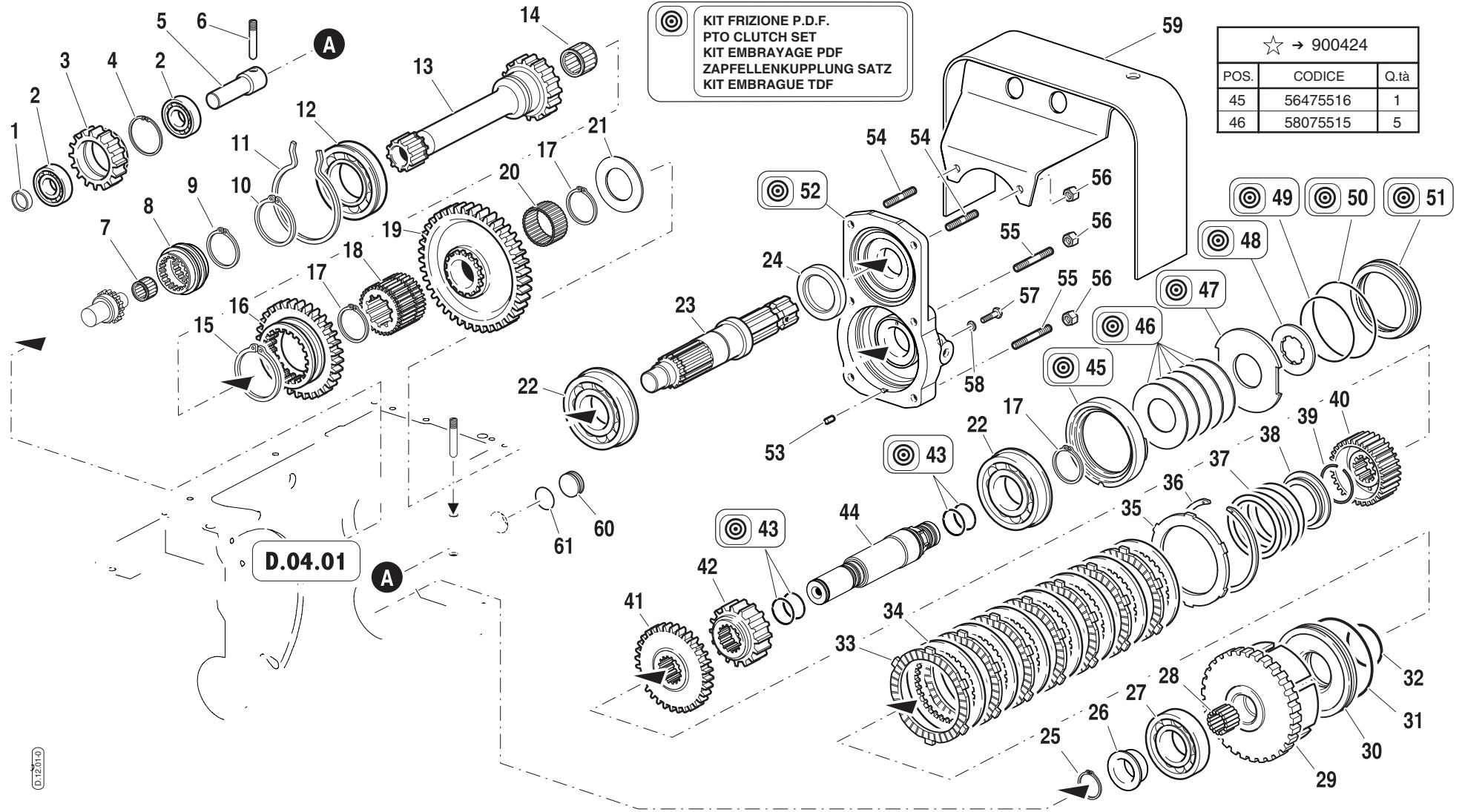
| Pos. | Code     | Q.ty | Description           | Notes |
|------|----------|------|-----------------------|-------|
| 55   | 31312089 | 4    | STUD BOLT M8x52x14x18 |       |
| 4    | 35111047 | 1    | SEEGER RING           |       |
| 9    | 35121040 | 1    | SEEGER RING           |       |
| 27   | 37111404 | 1    | BEARING               |       |
| 49   | 38116317 | 1    | RING                  |       |
| 50   | 38118720 | 1    | O-RING                |       |
| 35   | 52372292 | 1    | RING                  |       |
| 8    | 52470298 | 1    | SLEEVE                |       |
| 3    | 52473873 | 1    | INTERMEDIATE WHEEL    |       |
| 13   | 52473874 | 1    | SHAFT                 |       |
| 19   | 52473875 | 1    | DRIVEN GEAR           |       |
| 23   | 52473876 | 1    | P.T.O. STUB           |       |
| 41   | 52473881 | 1    | GEAR                  |       |
| 40   | 52473885 | 1    | DISC HUB              |       |
| 42   | 52473894 | 1    | GEAR                  |       |
| 18   | 52475059 | 1    | FIX SLEEVE            |       |
| 16   | 52475060 | 1    | PTO GEAR              |       |
| 30   | 53273886 | 1    | PISTON                |       |
| 51   | 53273891 | 1    | PISTON                |       |
| 60   | 56074313 | 1    | PLUG                  |       |
| 1    | 56171572 | 1    | SPACER                |       |
| 5    | 56174108 | 1    | GEAR PIN              |       |
| 6    | 56370178 | 1    | SCREW                 |       |
| 38   | 56372282 | 1    | RING                  |       |
| 26   | 56470987 | 1    | BUSHING               |       |
| 21   | 56473880 | 1    | SHIM                  |       |
| 47   | 56473890 | 1    | BRAKE DISC            |       |
| 47   | 56474713 | 1    | BRAKE DISC            |       |
| 47   | 56474714 | 1    | BRAKE DISC            |       |
| 47   | 56475398 | 1    | BRAKE DISC            |       |
| 47   | 56475416 | 1    | BRAKE DISC            |       |
| 47   | 56475417 | 1    | BRAKE DISC            |       |
| 45   | 56475516 | 1    | SPACER                |       |
| 47   | 56475517 | 1    | BRAKE DISC            |       |

SERIAL

**POWER TAKE-OFF**

CODE REV

**D.12.01.L50017\_0**



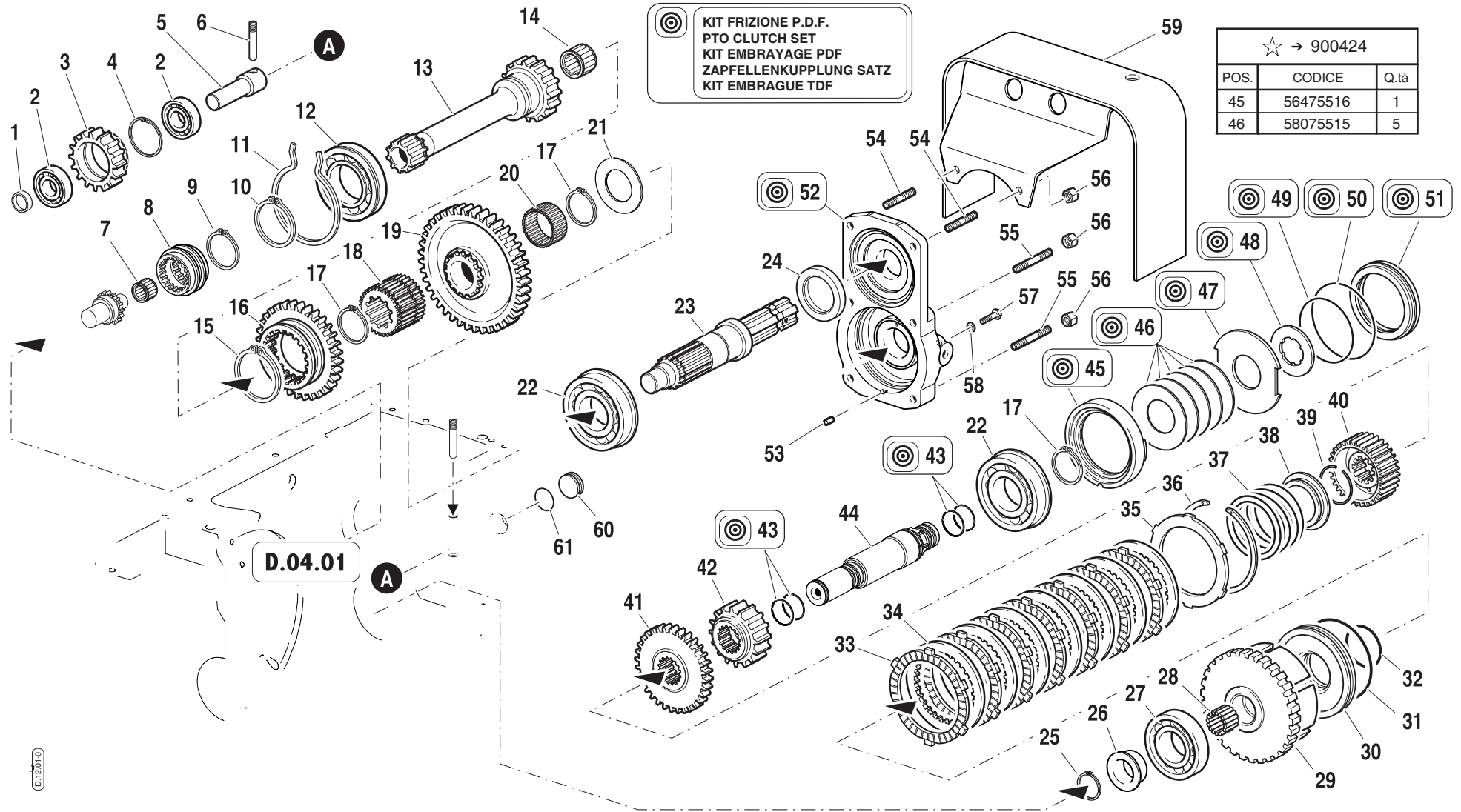
| Pos. | Code        | Q.ty | Description                  | Notes |
|------|-------------|------|------------------------------|-------|
| 47   | 56475518    | 1    | CLUTCH DISC                  |       |
| 47   | 56475757    | 1    | BRAKE DISC                   |       |
| 48   | 56475844    | 1    | CLUTCH DISC                  |       |
| 36   | 58072389    | 1    | CIRCLIP                      |       |
| 43   | 58072398    | 4    | SEAL                         |       |
| 39   | 58072399    | 1    | SAFETY RING                  |       |
| 37   | 58074092    | 1    | RESTORING SPRING             |       |
| 46   | 58075515    | 5    | SPRING                       |       |
| 11   | 58170130    | 1    | CIRCLIP                      |       |
| 31   | 58172400    | 1    | GASKET                       |       |
| 32   | 58172402    | 1    | GASKET                       |       |
| 33   | 58172447    | 7    | DISC                         |       |
| 34   | 58172448    | 7    | DISC                         |       |
| 59   | 59074993    | 1    | P.T.O. PROTECTION            |       |
| 44   | 59275513    | 1    | SHAFT                        |       |
| 29   | 59374107    | 1    | CLUTCH HOUSING               |       |
| 52   | 59375435    | 1    | COVER                        |       |
| 25   | F0801241010 | 1    | SEEGER RING                  |       |
| 17   | F0801297050 | 3    | SEEGER RING                  |       |
| 10   | F0801353000 | 1    | SEEGER RING                  |       |
| 15   | F0801389000 | 1    | SEEGER RING                  |       |
| 24   | F0802228005 | 1    | SEAL 48x65/10                |       |
| 61   | F0803199010 | 1    | O-RING                       |       |
| 7    | F0812599086 | 1    | BUSHING HK1816               |       |
| 2    | F0812637000 | 2    | BEARING 6204 (20x47x14)      |       |
| 14   | F0812689050 | 1    | ROLLER CAGE K 25X33/20       |       |
| 28   | F0812736010 | 1    | ROLLER CAGE K 30X35/20 H     |       |
| 20   | F0812878040 | 1    | ROLLER CAGE K 40X45/27       |       |
| 22   | F0812918010 | 2    | BEARING 6308-NR (40x90x23)   |       |
| 12   | F0812957010 | 1    | BEARING 6210-N (50/90/20)    |       |
| 56   | F0814574000 | 6    | NUT                          |       |
| 54   | F0838154010 | 2    | STUD BOLT M8X25 UNI 5911 8.8 |       |
| 58   | F0843641000 | 1    | COPPER WASHER 8x14/1,5       |       |
| 53   | F0851226000 | 1    | PIN 6X12 UNI 1707 CL:C20     |       |

SERIAL

**POWER TAKE-OFF**

CODE REV

**D.12.01.L50017\_0**

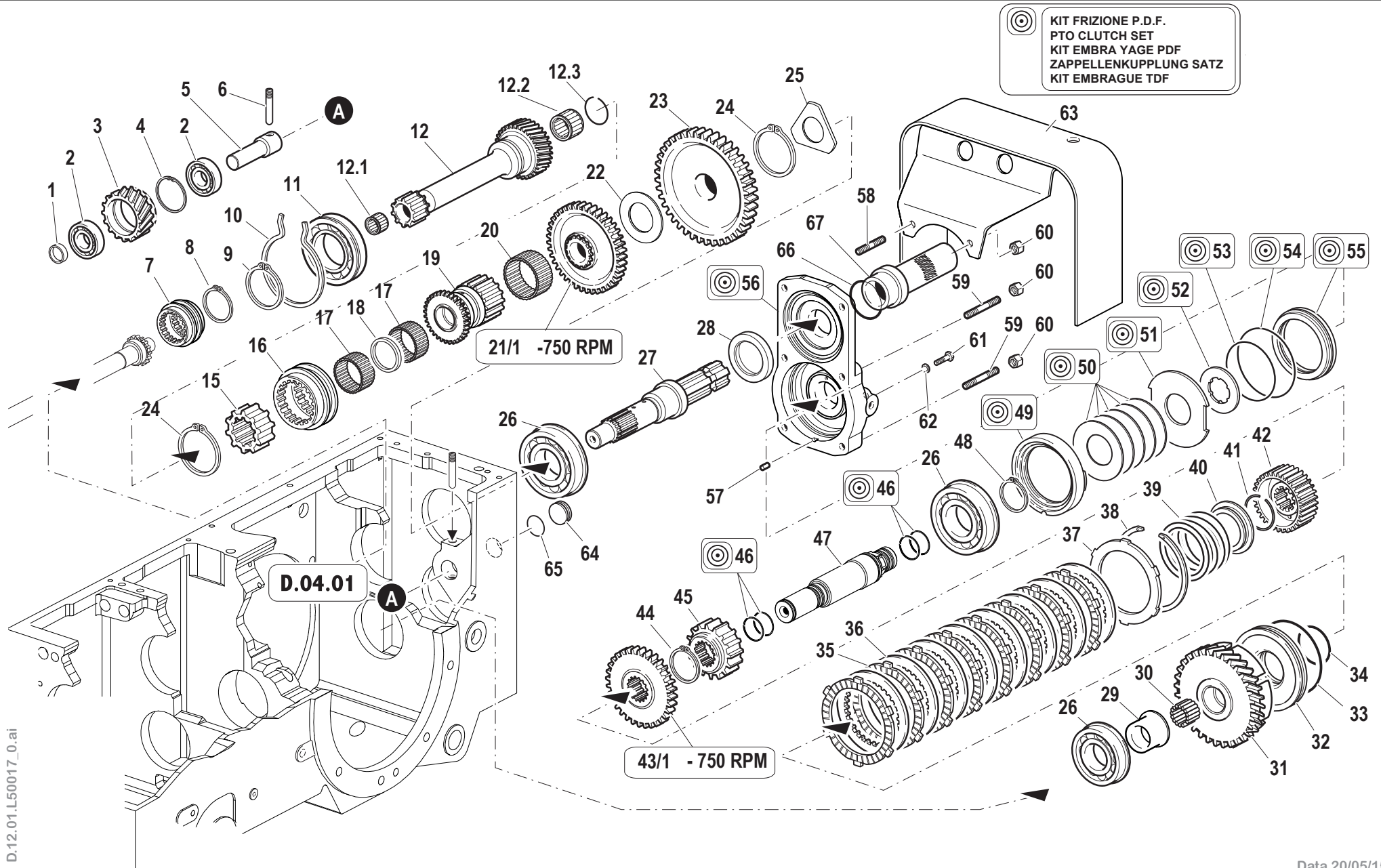


KIT FRIZIONE P.D.F.  
 PTO CLUTCH SET  
 KIT EMBRAYAGE PDF  
 ZAPFELLENKUPPLUNG SATZ  
 KIT EMBRAGUE TDF

| POS. | CODICE   | Q.tà |
|------|----------|------|
| 45   | 56475516 | 1    |
| 46   | 58075515 | 5    |

★ → 900424

| Pos. | Code        | Q.ty | Description          | Notes |
|------|-------------|------|----------------------|-------|
| 57   | F0862448100 | 1    | SCREW M8X10 UNI 5740 |       |



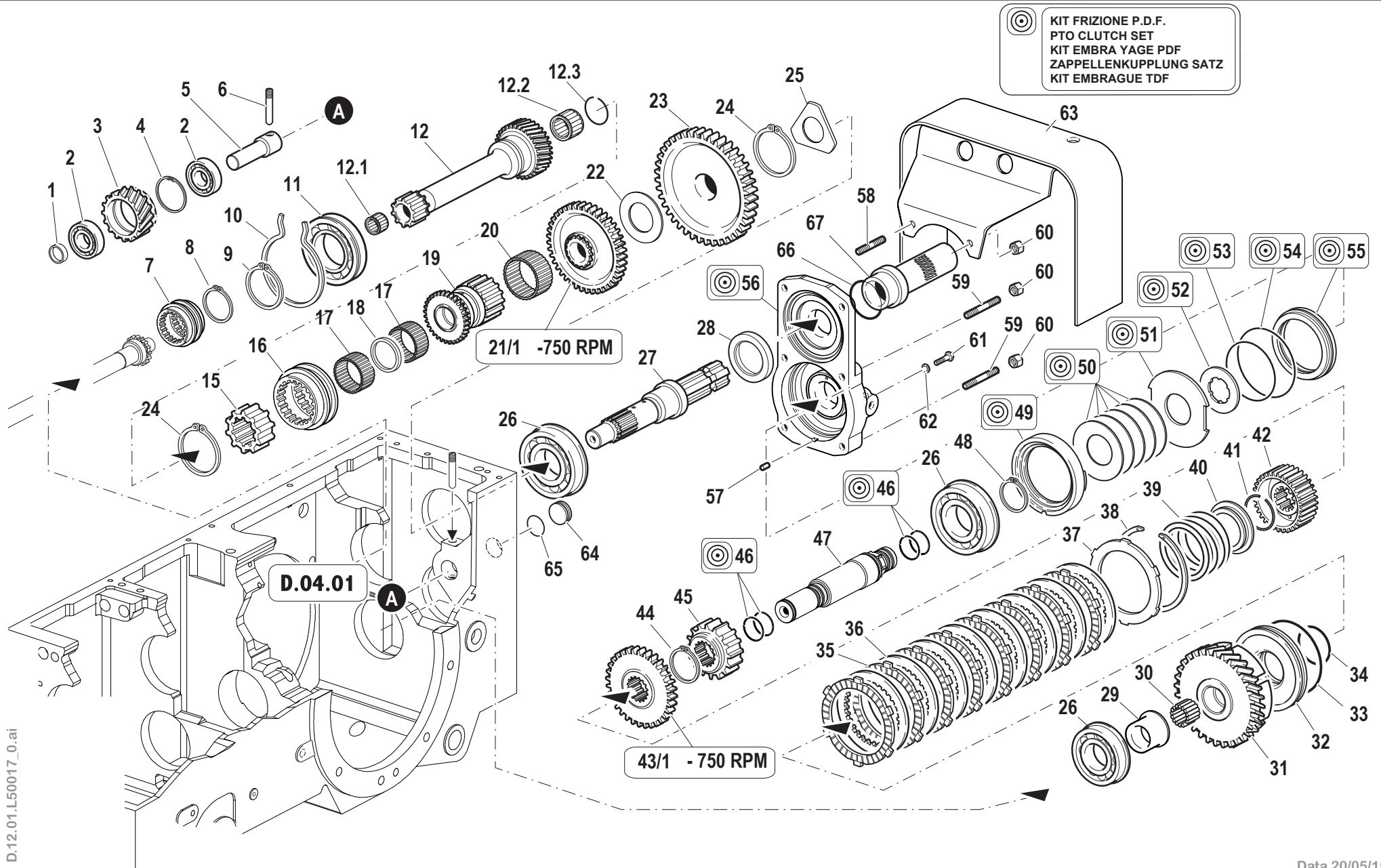
| Pos.   | Code     | Q.ty | Description           | Notes |
|--------|----------|------|-----------------------|-------|
| 60     | 31211080 | 6    | NUT M8                |       |
| 59     | 31312089 | 4    | STUD BOLT M8x52x14x18 |       |
| 4      | 35111047 | 1    | SEEGER RING           |       |
| 8      | 35121040 | 1    | SEEGER RING           |       |
| 53     | 38116317 | 1    | RING                  |       |
| 54     | 38118720 | 1    | O-RING                |       |
| 37     | 52372292 | 1    | RING                  |       |
| 7      | 52470298 | 1    | SLEEVE                |       |
| 45     | 52475551 | 1    | GEAR                  |       |
| 43/01  | 52475552 | 1    | GEAR                  |       |
| 23     | 52475554 | 1    | DRIVEN GEAR           |       |
| 31     | 52475562 | 1    | CLUTCH HOUSING        |       |
| 42     | 52475565 | 1    | DISC HUB              |       |
| 16     | 52476062 | 1    | SHIFTING CLAW         |       |
| 21-gen | 52476063 | 1    | DRIVEN GEAR           |       |
| 19     | 52476067 | 1    | SLEEVE                |       |
| 15     | 52476068 | 1    | SLEEVE                |       |
| 3      | 52476868 | 1    | INTERMEDIATE WHEEL    |       |
| 32     | 53273886 | 1    | PISTON                |       |
| 55     | 53273891 | 1    | PISTON                |       |
| 64     | 56074313 | 1    | PLUG                  |       |
| 18     | 56076074 | 1    | SPACER                |       |
| 1      | 56171572 | 1    | SPACER                |       |
| 5      | 56174108 | 1    | GEAR PIN              |       |
| 6      | 56370178 | 1    | SCREW                 |       |
| 40     | 56372282 | 1    | RING                  |       |
| 29     | 56470987 | 1    | BUSHING               |       |
| 51     | 56473890 | 1    | BRAKE DISC            |       |
| 51     | 56474713 | 1    | BRAKE DISC            |       |
| 51     | 56475398 | 1    | BRAKE DISC            |       |
| 51     | 56475416 | 1    | BRAKE DISC            |       |
| 51     | 56475417 | 1    | BRAKE DISC            |       |
| 49     | 56475516 | 1    | SPACER                |       |
| 51     | 56475517 | 1    | BRAKE DISC            |       |

SERIAL

**POWER TAKE-OFF**

CODE REV

**D.12.01.L50017\_1**






| Pos. | Code        | Q.ty | Description                | Notes |
|------|-------------|------|----------------------------|-------|
| 22   | 56475568    | 1    | SHIM                       |       |
| 51   | 56475757    | 1    | BRAKE DISC                 |       |
| 52   | 56475844    | 1    | CLUTCH DISC                |       |
| 38   | 58072389    | 1    | CIRCLIP                    |       |
| 46   | 58072398    | 4    | SEAL                       |       |
| 41   | 58072399    | 1    | SAFETY RING                |       |
| 39   | 58074092    | 1    | RESTORING SPRING           |       |
| 50   | 58075515    | 5    | SPRING                     |       |
| 10   | 58170130    | 1    | CIRCLIP                    |       |
| 33   | 58172400    | 1    | GASKET                     |       |
| 34   | 58172402    | 1    | GASKET                     |       |
| 35   | 58172447    | 8    | DISC                       |       |
| 36   | 58172448    | 8    | DISC                       |       |
| 63   | 59074993    | 1    | P.T.O. PROTECTION          |       |
| 47   | 59276076    | 1    | SHAFT                      |       |
| 56   | 59377433    | 1    | COVER                      |       |
| 12   | 59900376    | 1    | PTO SHAFT                  |       |
| 27   | 59978087    | 1    | KIT                        |       |
| 24   | F0801244080 | 2    | SEEGER RING                |       |
| 14   | F0801248000 | 1    | SAFETY RING                |       |
| 44   | F0801282050 | 1    | SEEGER RING                |       |
| 48   | F0801297050 | 1    | SEEGER RING                |       |
| 9    | F0801353000 | 1    | SEEGER RING                |       |
| 28   | F0802228005 | 1    | SEAL 48x65/10              |       |
| 65   | F0803199010 | 1    | O-RING                     |       |
| 12,1 | F0812599086 | 1    | BUSHING HK1816             |       |
| 2    | F0812637000 | 2    | BEARING 6204 (20x47x14)    |       |
| 13   | F0812689050 | 1    | ROLLER CAGE K 25X33/20     |       |
| 30   | F0812736010 | 1    | ROLLER CAGE K 30X35/20 H   |       |
| 17   | F0812784000 | 2    | ROLLER CAGE K 32X37/27 H   |       |
| 26   | F0812899000 | 1    | BEARING 6208-NR            |       |
| 26   | F0812918010 | 2    | BEARING 6308-NR (40x90x23) |       |
| 20   | F0812951300 | 1    | ROLLER CAGE K 50X55/27 H   |       |
| 11   | F0812957010 | 1    | BEARING 6210-N (50/90/20)  |       |

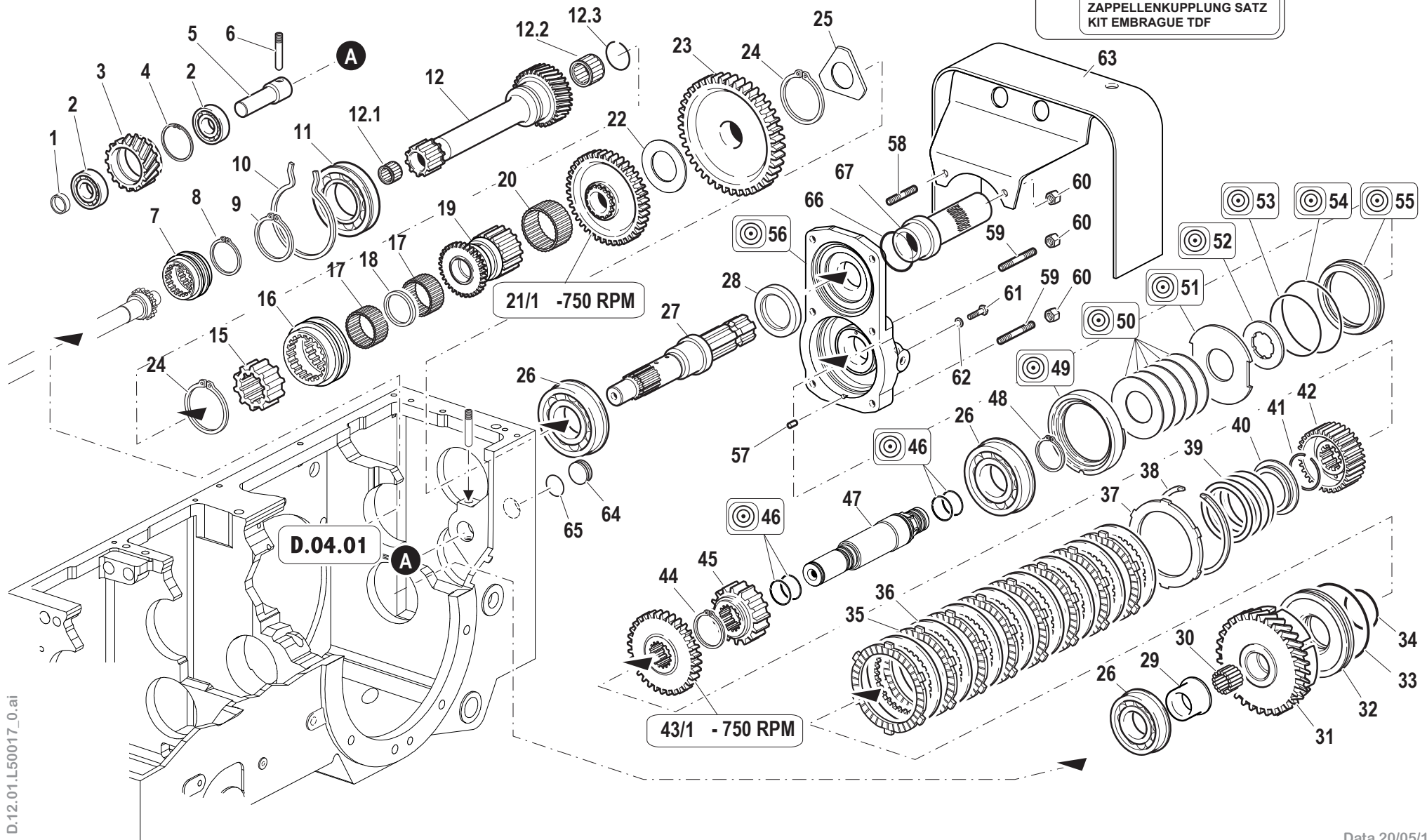
SERIAL

**POWER TAKE-OFF**

CODE REV

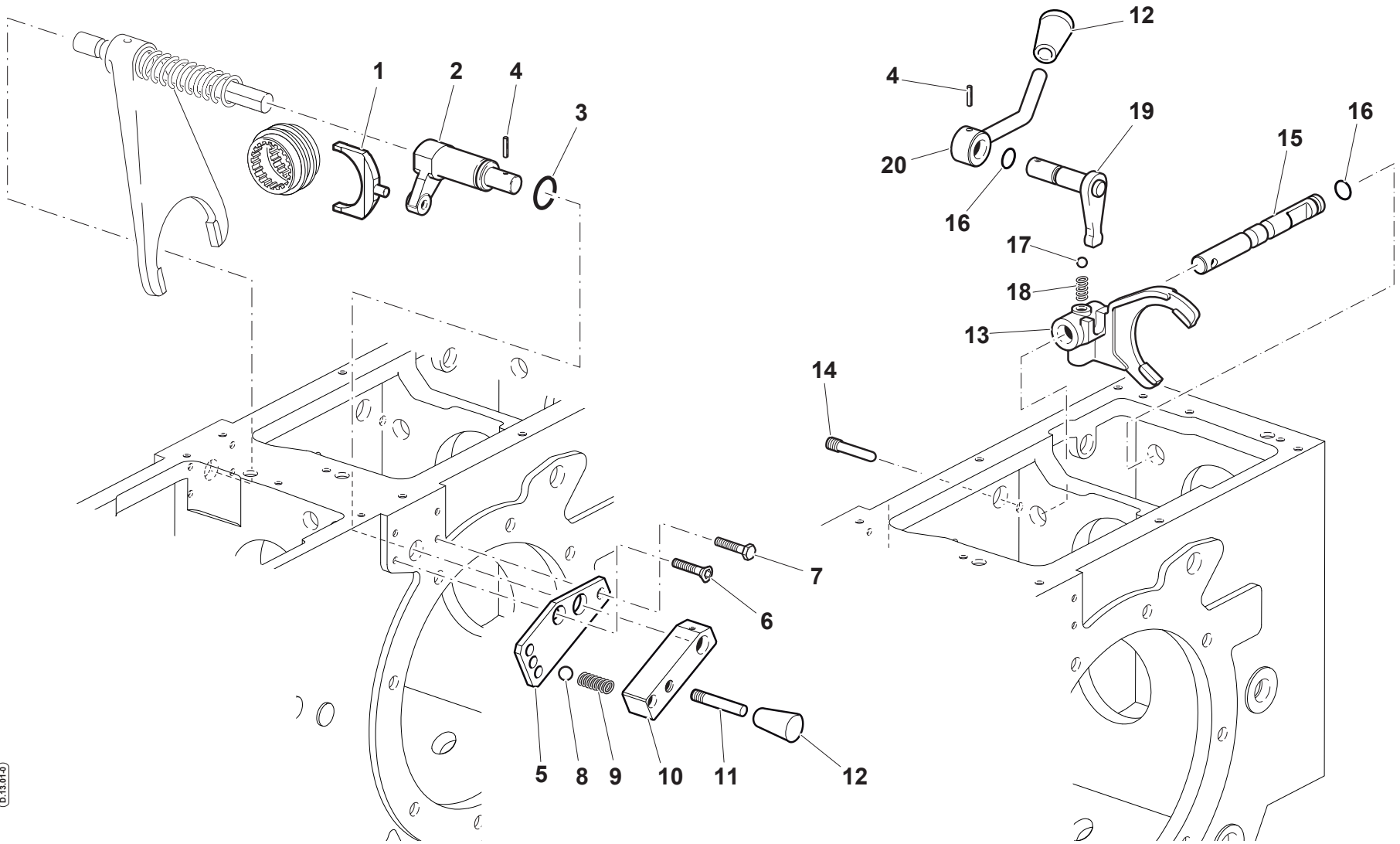
**D.12.01.L50017\_1**


**KIT FRIZIONE P.D.F.**  
**PTO CLUTCH SET**  
**KIT EMBRA YAGE PDF**  
**ZAPPELENKUPPLUNG SATZ**  
**KIT EMBRAGUE TDF**

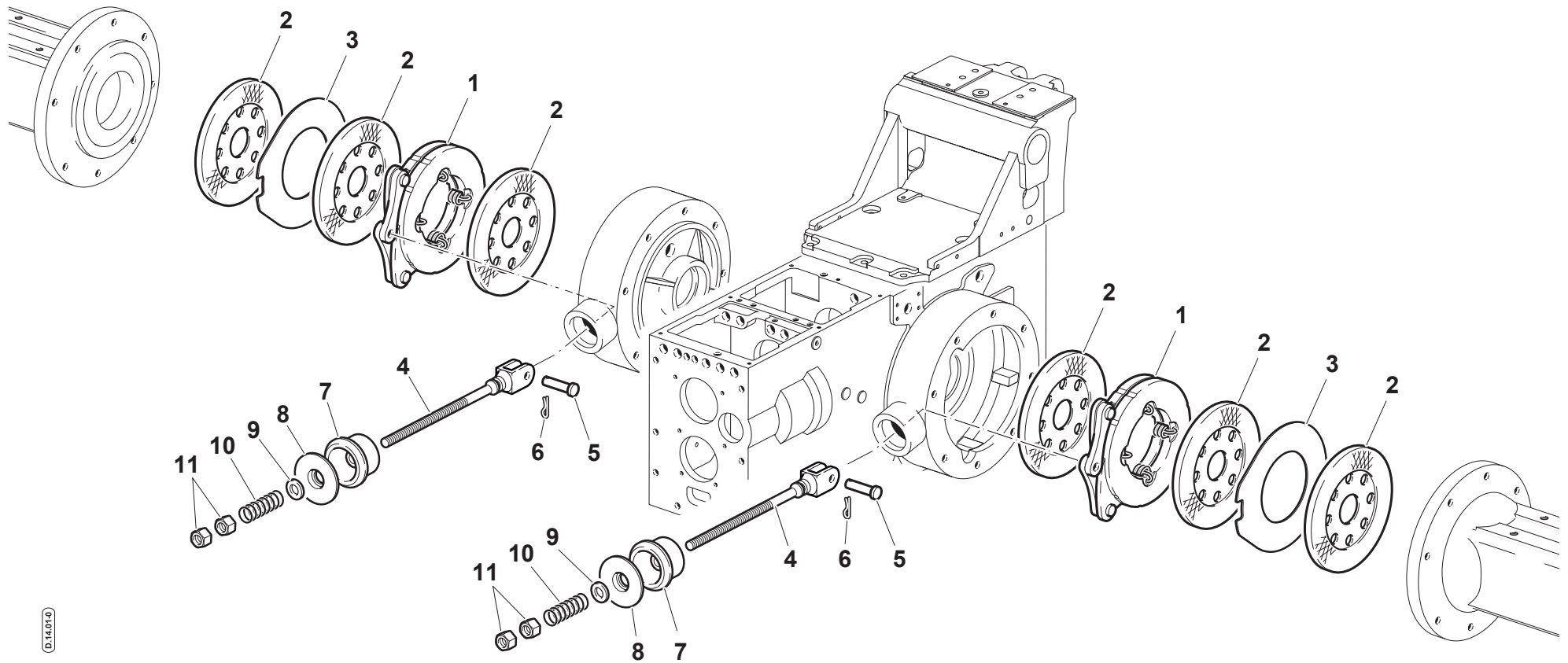


| Pos. | Code          | Q.ty | Description                  | Notes |
|------|---------------|------|------------------------------|-------|
| 58   | F0838154010   | 2    | STUD BOLT M8X25 UNI 5911 8.8 |       |
| 62   | F0843641000   | 1    | COPPER WASHER 8x14/1,5       |       |
| 57   | F0851226000   | 1    | PIN 6X12 UNI 1707 CL:C20     |       |
| 61   | F0862448100   | 1    | SCREW M8X10 UNI 5740         |       |
| 67   | P470330000000 | 1    | GUARD                        |       |
| 66   | P470433000000 | 1    | PROTECTIVE RING              |       |

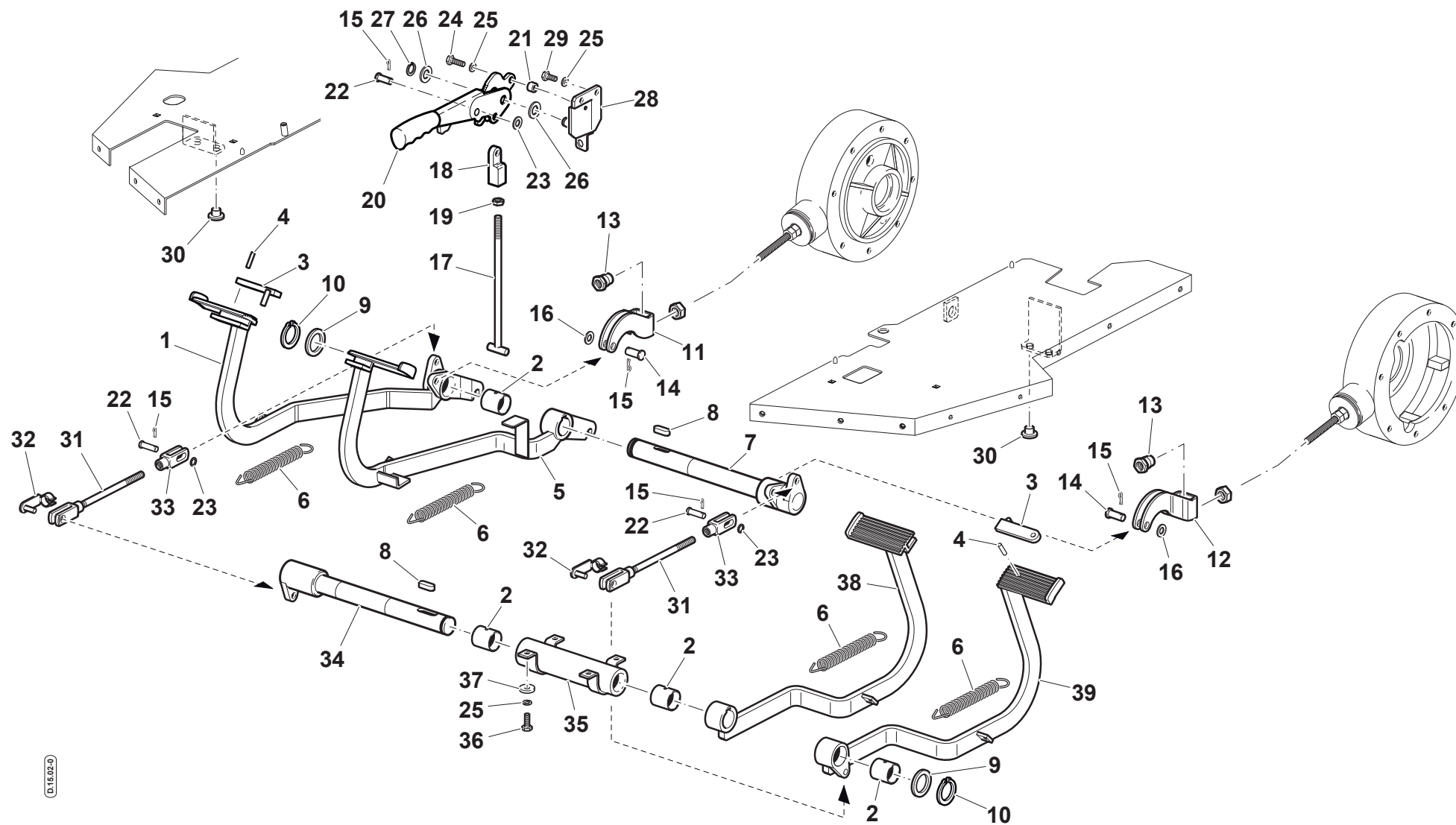
POWER TAKE-OFF CONTROLS



| Pos. | Code        | Q.ty | Description                | Notes |
|------|-------------|------|----------------------------|-------|
| 7    | 31112150    | 1    | SCREW TE M8X20 UNI 5739 8G |       |
| 6    | 31132566    | 1    | SCREW TSVEI M8X20 UNI 5933 |       |
| 4    | 34211054    | 2    | ROLL PIN                   |       |
| 16   | 38111078    | 2    | O-RING                     |       |
| 3    | 38112200    | 1    | O-RING                     |       |
| 13   | 51274080    | 1    | FORK                       |       |
| 2    | 52370152    | 1    | LEVER                      |       |
| 11   | 56170447    | 1    | TIP                        |       |
| 10   | 56174431    | 1    | LEVER                      |       |
| 14   | 56370178    | 1    | SCREW                      |       |
| 15   | 56374076    | 1    | ROD                        |       |
| 5    | 56374430    | 1    | PLATE                      |       |
| 1    | 56470299    | 1    | SELECTOR FORK              |       |
| 18   | 58070741    | 1    | SPRING                     |       |
| 20   | 59072572    | 1    | LEVER                      |       |
| 19   | 59074077    | 1    | LEVER                      |       |
| 9    | F0831047000 | 1    | SPRING                     |       |
| 12   | F0837534060 | 2    | GRIP                       |       |
| 17   | F0847434000 | 1    | BALL                       |       |
| 8    | F0847462000 | 1    | BALL RB-11.112             |       |



| Pos. | Code        | Q.ty | Description                | Notes |
|------|-------------|------|----------------------------|-------|
| 9    | 31411130    | 2    | WASHER 13x24               |       |
| 7    | 55170047    | 2    | BOOT                       |       |
| 8    | 56170043    | 2    | COVER                      |       |
| 4    | 56370038    | 2    | ROD                        |       |
| 5    | 56470231    | 2    | PIN                        |       |
| 10   | 58070366    | 2    | RETAINING SPRING           |       |
| 1    | 58170045    | 2    | BRAKE                      |       |
| 2    | 58170703    | 6    | BRAKE DISC                 |       |
| 3    | 58171019    | 2    | SHIM                       |       |
| 6    | F0810510000 | 2    | SPLIT PIN A2,0X20 UNI 1336 |       |
| 11   | F0814689020 | 4    | NUT                        |       |





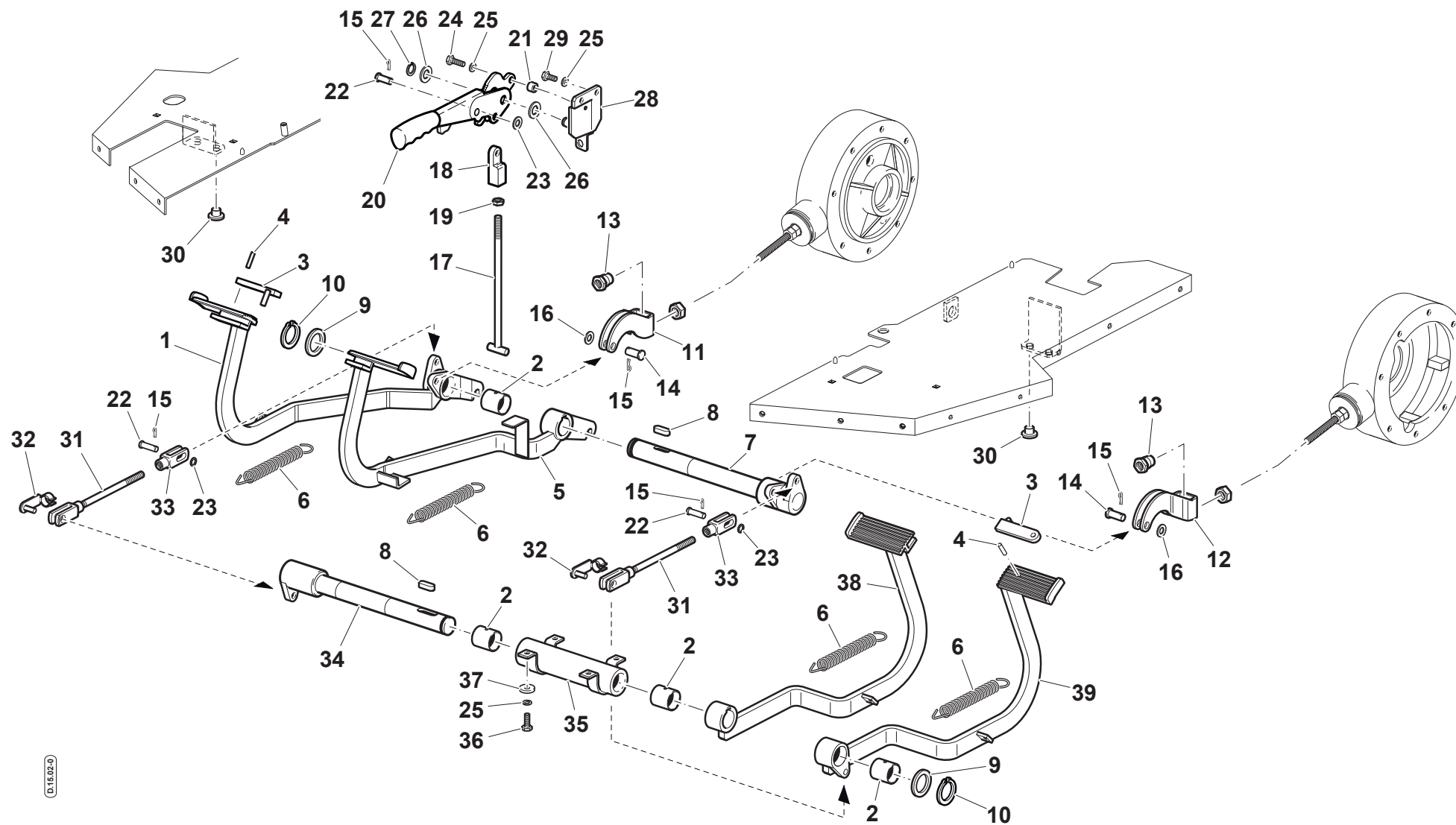
| Pos. | Code        | Q.ty | Description                | Notes |
|------|-------------|------|----------------------------|-------|
| 36   | 31112146    | 4    | SCREW TE M8X22 UNI 5739 8G |       |
| 29   | 31112147    | 2    | SCREW TE M8X18 UNI 5739 8G |       |
| 24   | 31112151    | 1    | SCREW TE M8X25 UNI 5739 8G |       |
| 23   | 31411105    | 3    | WASHER 10,5x21             |       |
| 16   | 31411130    | 2    | WASHER 13x24               |       |
| 26   | 31411150    | 2    | WASHER 15x28               |       |
| 8    | 34321066    | 2    | KEY A10X8X30 UNI 6604      |       |
| 33   | 50970418    | 2    | FORK                       |       |
| 13   | 52373177    | 2    | NUT                        |       |
| 17   | 52375215    | 1    | HANDBRAKE TIE-ROD          |       |
| 9    | 56170367    | 2    | SHIM                       |       |
| 11   | 56170795    | 1    | RIGHT YOKE                 |       |
| 12   | 56170796    | 1    | LEFT BRACKET               |       |
| 21   | 56171936    | 1    | SPACER                     |       |
| 18   | 56371721    | 1    | SMALL BLOCK                |       |
| 22   | 56470365    | 3    | PIN                        |       |
| 14   | 56470797    | 2    | PIN                        |       |
| 6    | 58070790    | 4    | RESTORING SPRING           |       |
| 2    | 58170026    | 4    | BUSHING                    |       |
| 20   | 58174726    | 1    | HAND BRAKE                 |       |
| 35   | 59070051    | 1    | PIPE                       |       |
| 5    | 59070323    | 1    | BRAKE PEDAL                |       |
| 1    | 59070325    | 1    | BRAKE PEDAL                |       |
| 7    | 59070333    | 1    | SHAFT                      |       |
| 3    | 59070398    | 2    | SMALL PLATE                |       |
| 31   | 59073242    | 2    | ROD                        |       |
| 28   | 59074459    | 1    | RETAINER                   |       |
| 34   | 59074561    | 1    | SHAFT                      |       |
| 38   | 59074701    | 1    | BRAKE PEDAL                |       |
| 39   | 59074702    | 1    | BRAKE PEDAL                |       |
| 27   | F0801095000 | 1    | SEEGER RING                |       |
| 10   | F0801241010 | 2    | SEEGER RING                |       |
| 15   | F0810510000 | 5    | SPLIT PIN A2,0X20 UNI 1336 |       |
| 19   | F0814627000 | 1    | NUT M10                    |       |

SERIAL

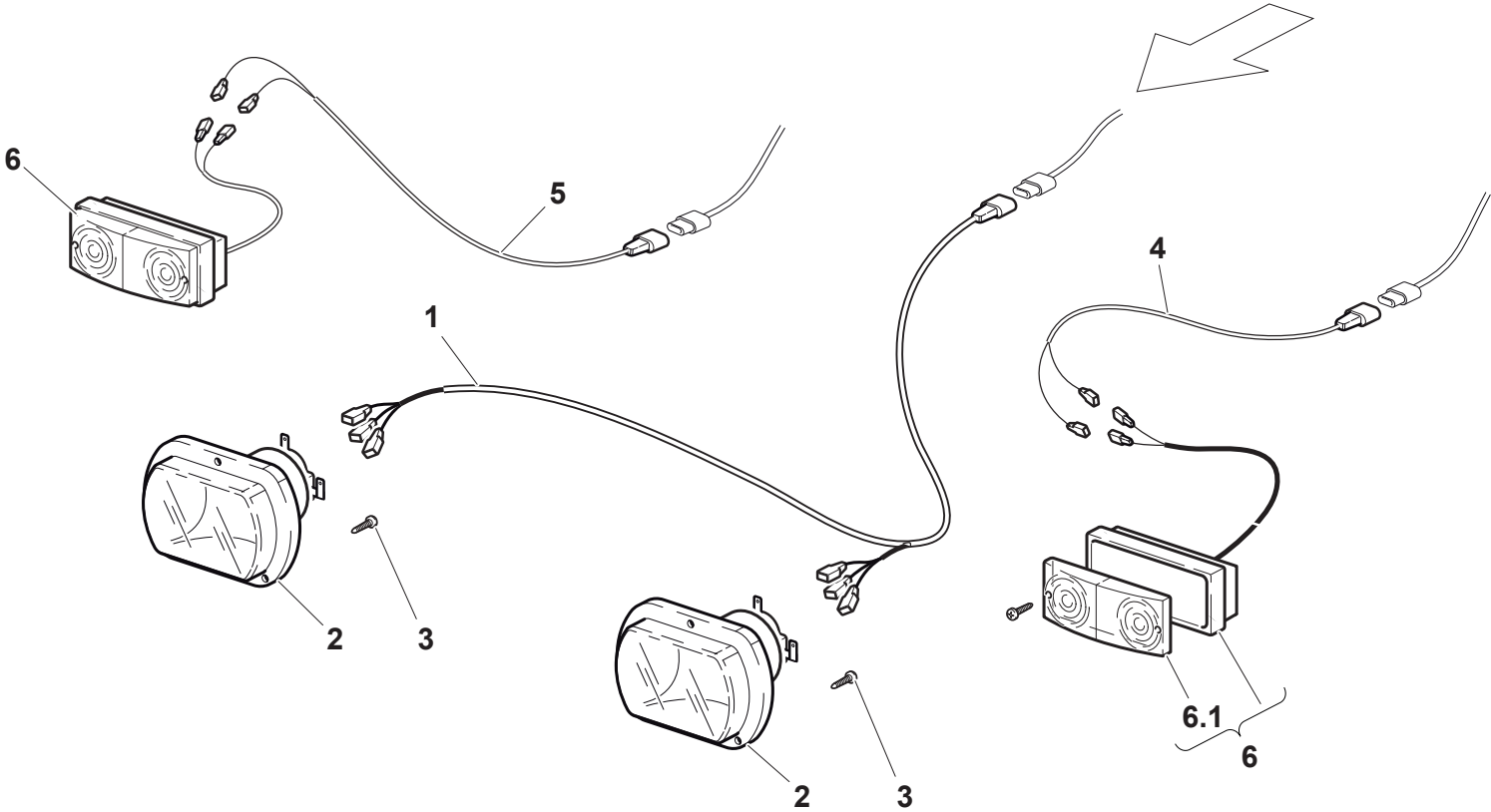
**BRAKES CONTROLS**

CODE REV

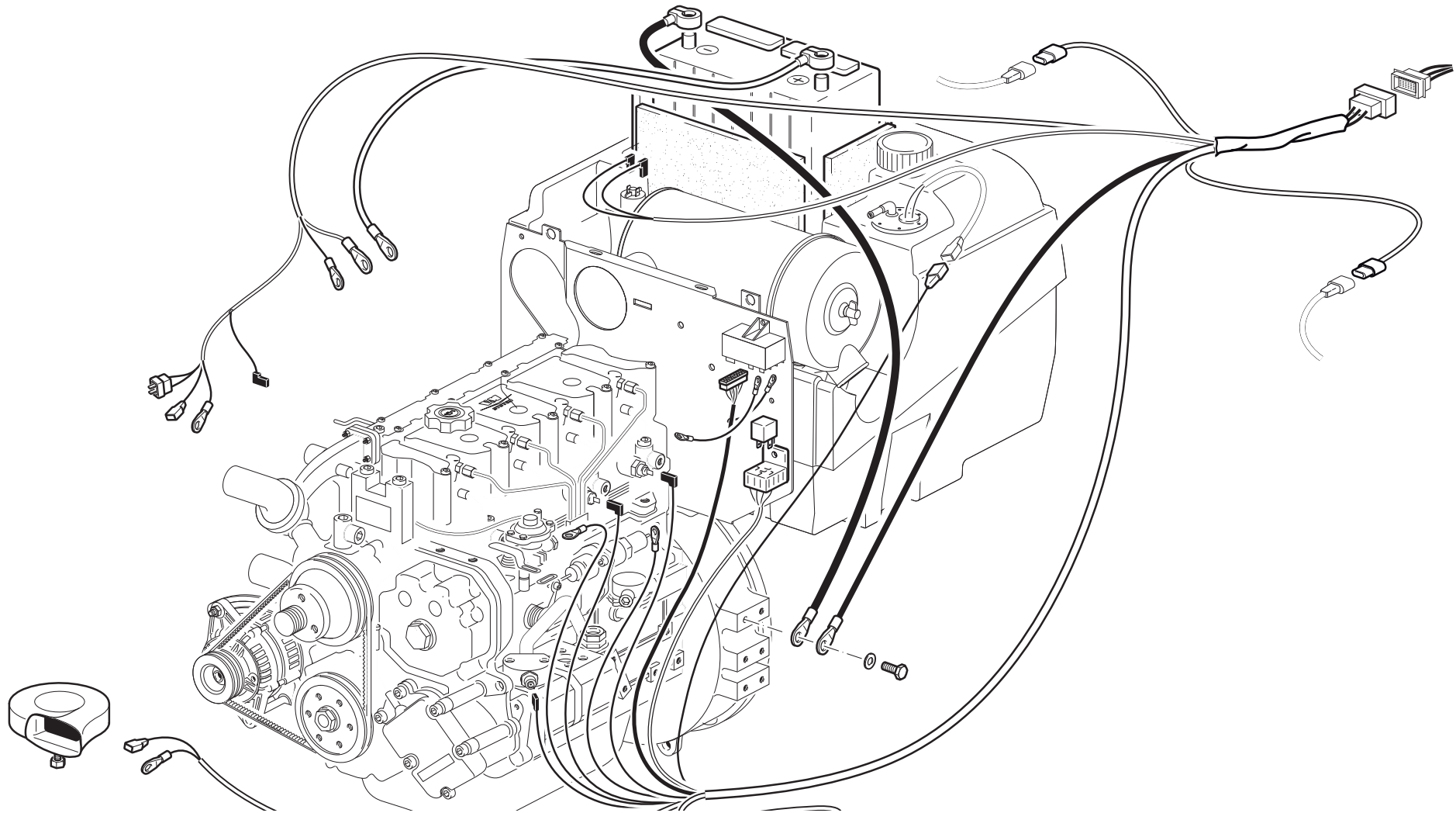
**D.15.02.L50020\_0**



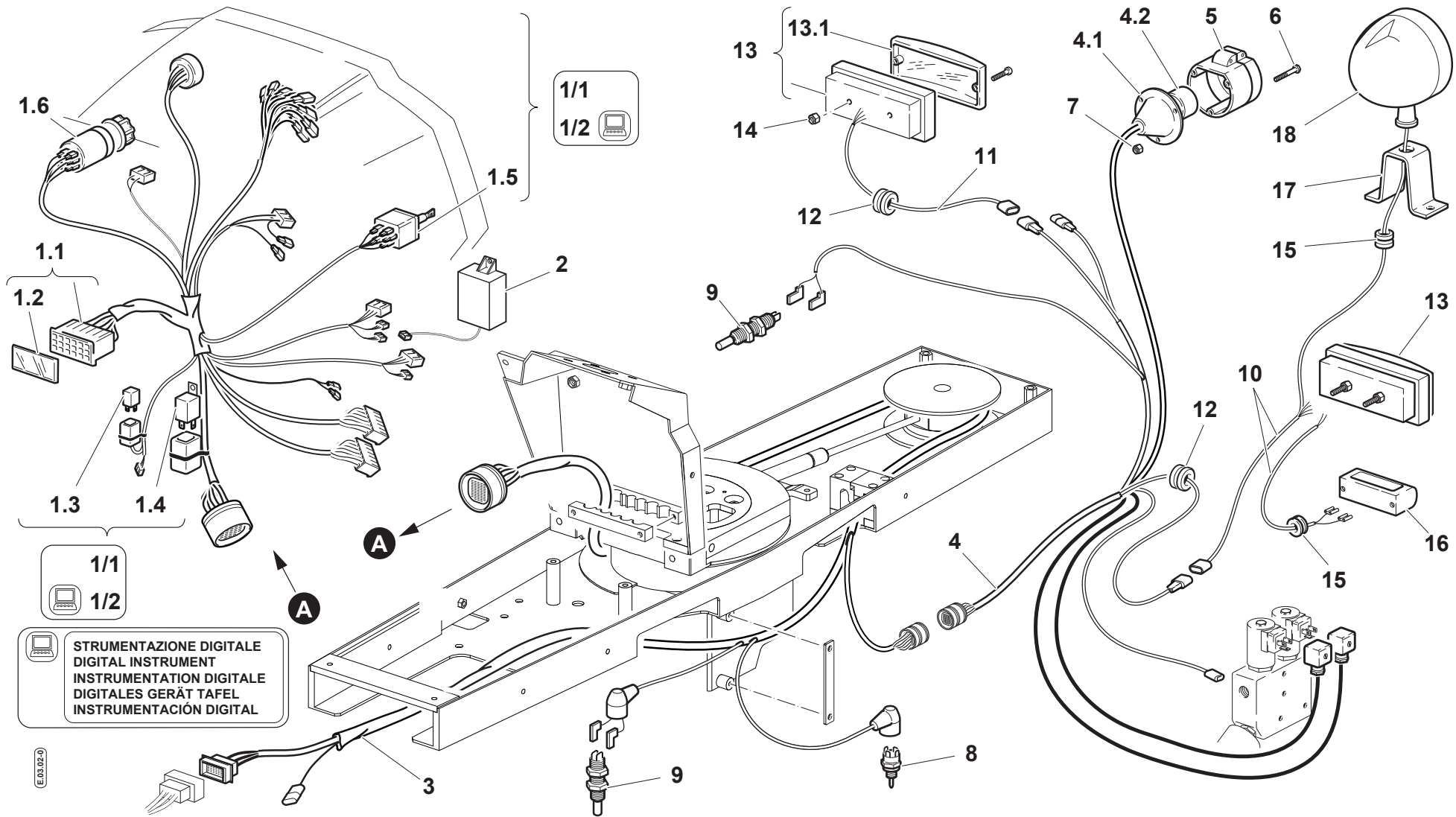
| <b>Pos.</b> | <b>Code</b> | <b>Q.ty</b> | <b>Description</b>       | <b>Notes</b> |
|-------------|-------------|-------------|--------------------------|--------------|
| 30          | F0822537050 | 4           | BUFFER                   |              |
| 25          | F0843643060 | 7           | WASHER 8                 |              |
| 37          | F0843711000 | 4           | WASHER D.24x8,5/4        |              |
| 4           | F0851262000 | 2           | PIN 6X26 DIN 7343 CL:C72 |              |
| 32          | F0860091020 | 2           | PIN                      |              |



| <b>Pos.</b> | <b>Code</b> | <b>Q.ty</b> | <b>Description</b>     | <b>Notes</b> |
|-------------|-------------|-------------|------------------------|--------------|
| 4           | 58071307    | 1           | CABLE                  |              |
| 5           | 58071308    | 1           | CABLE                  |              |
| 1           | 58074904    | 1           | CABLE                  |              |
| 2           | F0825404050 | 2           | HEADLIGHT              |              |
| 6           | F0825420500 | 2           | LAMP                   |              |
| 6,1         | F0825420560 | 2           | GLASS                  |              |
| 3           | F0861867050 | 6           | SCREW M4,2X19 DIN 7981 |              |



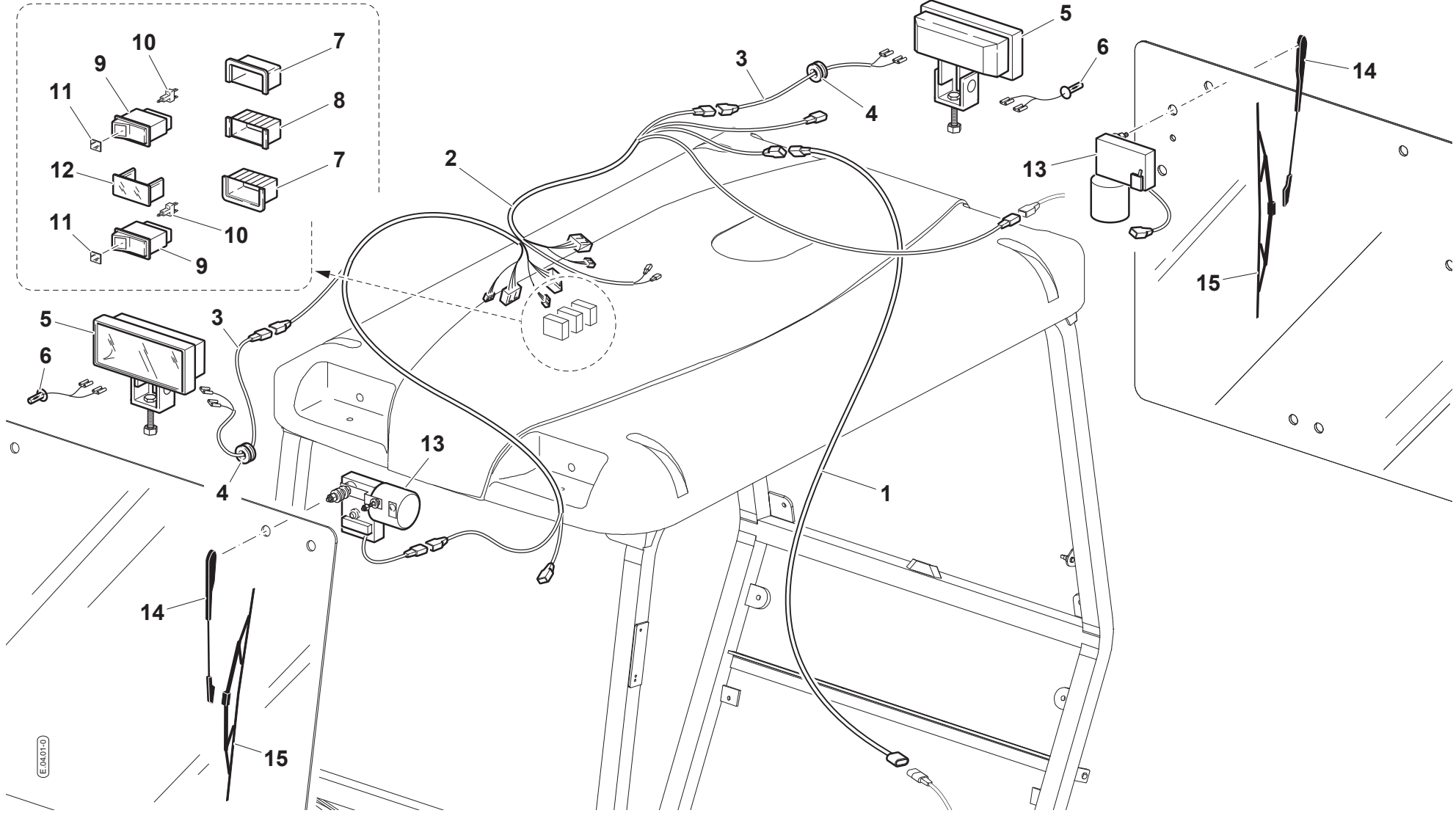
| Pos. | Code        | Q.ty | Description              | Notes |
|------|-------------|------|--------------------------|-------|
| 5    | 31112210    | 1    | SCREW TE M10X20 UNI 5739 |       |
| 3    | 58071313    | 1    | CABLE                    |       |
| 4    | 58072081    | 1    | CABLE                    |       |
| 7    | 58074903    | 1    | CABLE                    |       |
| 7,1  | 58170700    | 1    | RELAY                    |       |
| 2    | F0190018909 | 1    | LINING                   |       |
| 8    | F0825417000 | 1    | HORN                     |       |
| 1    | F0825480100 | 1    | BATTERY                  |       |
| 6    | F0843755000 | 1    | WASHER 10                |       |



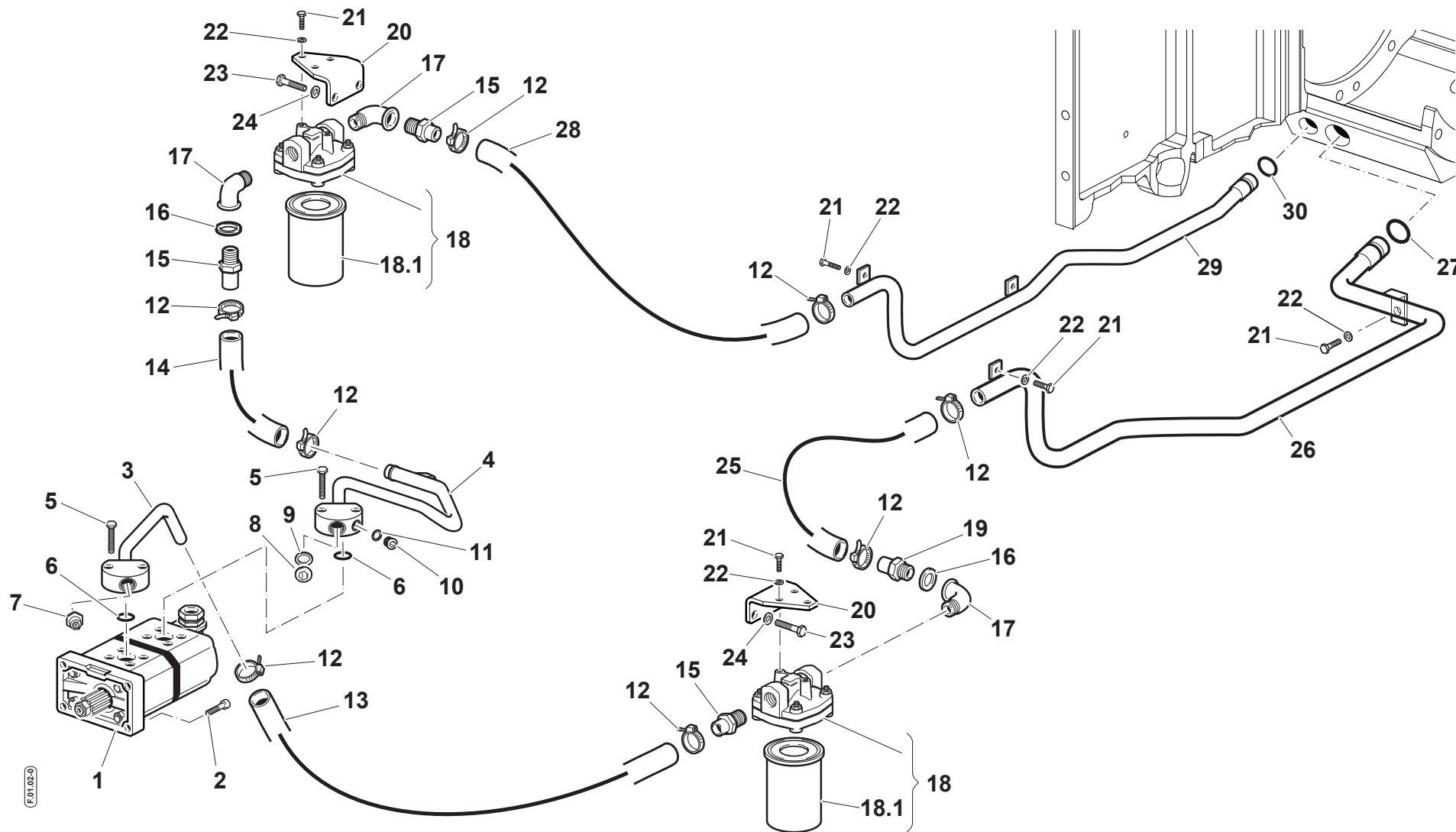
1/1  
1/2  
STRUMENTAZIONE DIGITALE  
DIGITAL INSTRUMENT  
INSTRUMENTATION DIGITALE  
DIGITALES GERÄT TAFEL  
INSTRUMENTACIÓN DIGITAL



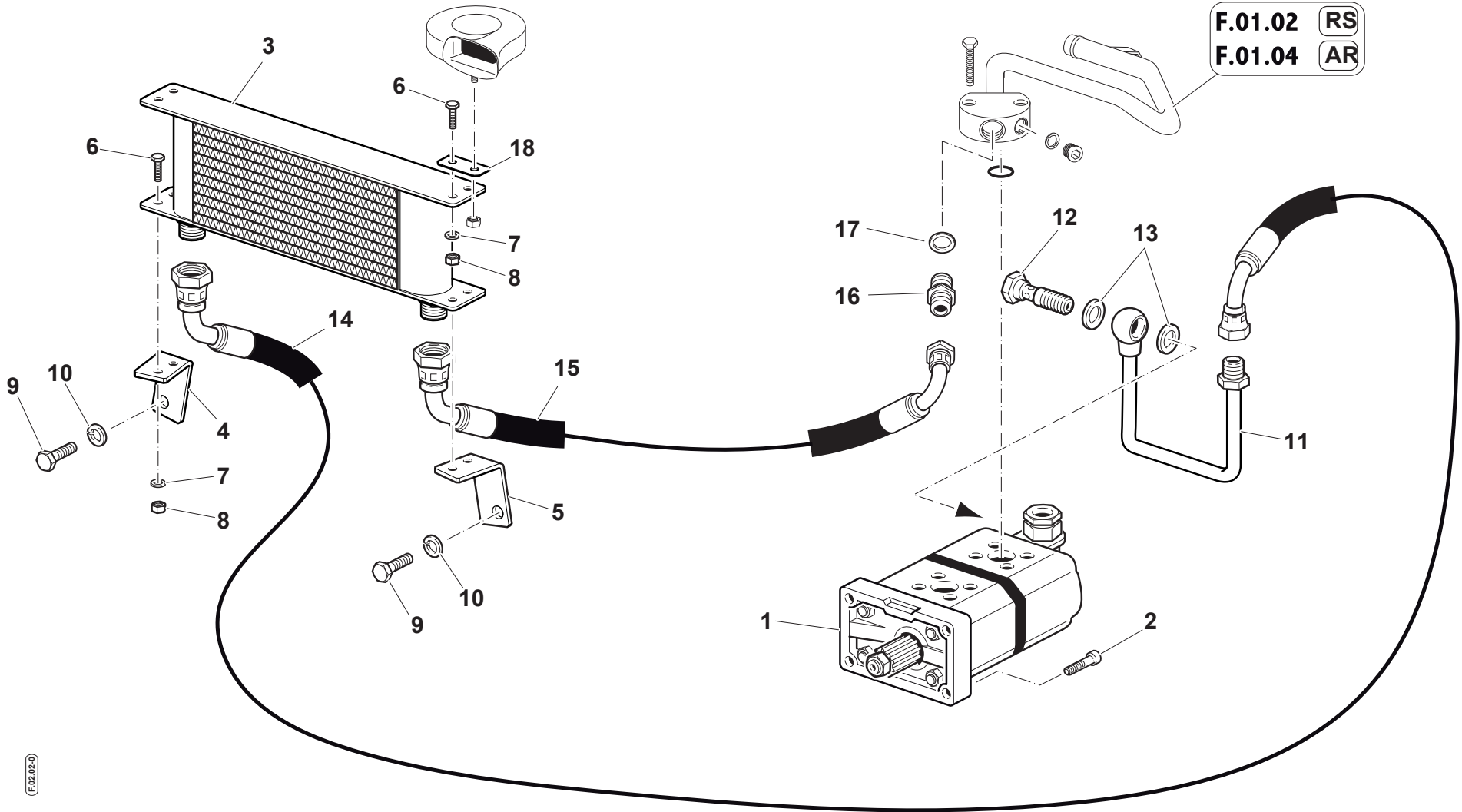
| Pos. | Code        | Q.ty | Description               | Notes |
|------|-------------|------|---------------------------|-------|
| 16   | 30000506    | 1    | LAMP                      |       |
| 11   | 58071305    | 1    | CABLE                     |       |
| 10   | 58072568    | 1    | CABLE                     |       |
| 1/01 | 58074901    | 1    | CABLE                     |       |
| 3    | 58074906    | 1    | CABLE                     |       |
| 4    | 58074908    | 1    | CABLE                     |       |
| 1/02 | 58075384    | 1    | CABLE                     |       |
| 1,1  | 58170453    | 1    | FUSE BOX                  |       |
| 4,2  | 58170571    | 1    | ATTACHMENT PLUG           |       |
| 4,1  | 58170572    | 1    | CAP                       |       |
| 12   | 58170947    | 2    | CABLE GLAND               |       |
| 1,2  | 58172267    | 1    | COVER                     |       |
| 2    | 58175700    | 1    | SWITCHING CONTROL UNIT    |       |
| 1,3  | 59900242    | 1    | RELAY                     |       |
| 17   | F0190035152 | 1    | SUPPORT                   |       |
| 7    | F0814525000 | 1    | NUT                       |       |
| 14   | F0814529080 | 4    | SELFLOCK NUT              |       |
| 8    | F0825117000 | 1    | SWITCH                    |       |
| 1,4  | F0825139000 | 1    | FLASHER                   |       |
| 15   | F0825414000 | 2    | CABLE GLAND 7-15-18,5-2,5 |       |
| 13   | F0825420600 | 2    | LAMP                      |       |
| 13,1 | F0825420660 |      | GLASS                     |       |
| 1,5  | F0825436000 | 1    | SWITCH                    |       |
| 1,6  | F0825436003 | 1    | SWITCH                    |       |
| 5    | F0825438000 | 1    | SOCKET                    |       |
| 9    | F0825488000 | 2    | SWITCH                    |       |
| 18   | F0825493000 | 1    | HEADLIGHT                 |       |
| 6    | F0861941000 | 1    | SCREW                     |       |



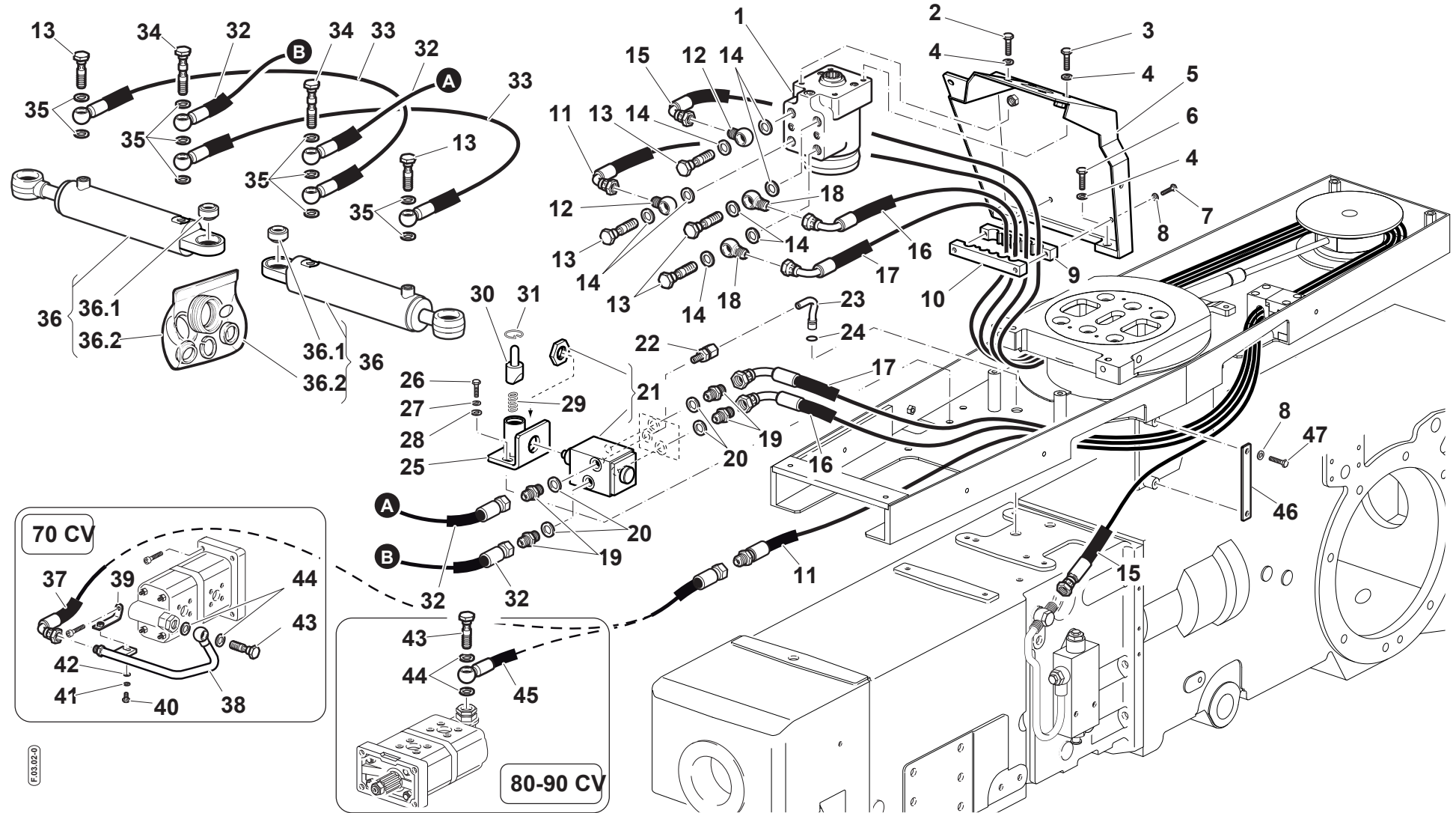
| Pos. | Code        | Q.ty | Description               | Notes |
|------|-------------|------|---------------------------|-------|
| 1    | 58075165    | 1    | CABLE                     |       |
| 2    | 58075166    | 1    | CABLE                     |       |
| 3    | 58075167    | 4    | CABLE                     |       |
| 7    | 58170376    | 2    | TERMINAL FOR SWITCH       |       |
| 13   | 58170837    | 2    | WIPER MOTOR               |       |
| 5    | 58170847    | 4    | WORKING SPOTLIGHT         |       |
| 15   | 58170860    | 2    | WIPER BLADE               |       |
| 14   | 58170861    | 2    | ARM                       |       |
| 4    | 58170947    | 4    | CABLE GLAND               |       |
| 12   | 58172043    | 1    | FRONT GRILLE              |       |
| 9    | 58173118    | 2    | SWITCH                    |       |
| 10   | 58173119    | 2    | PILOT LIGHT 12V           |       |
| 8    | 58175162    | 1    | CHANGE-OVER SWITCH HOLDER |       |
| 11   | 58175164    | 2    | GLASS                     |       |
| 6    | F0825429003 | 4    | LAMP                      |       |



| Pos. | Code        | Q.ty | Description                | Notes |
|------|-------------|------|----------------------------|-------|
| 8    | 30000777    | 1    | PLUG 3/8 DIN 908           |       |
| 21   | 31111151    | 7    | SCREW TE M8X16 UNI 5739 8G |       |
| 5    | 31112155    | 4    | SCREW                      |       |
| 23   | 31112210    | 4    | SCREW TE M10X20 UNI 5739   |       |
| 2    | 31152083    | 4    | SCREW TCEI M8X30 UNI 5931  |       |
| 6    | 38112200    | 2    | O-RING                     |       |
| 30   | 38112507    | 1    | O-RING                     |       |
| 15   | 56170350    | 3    | PIPE FITTING               |       |
| 19   | 56170351    | 1    | PIPE FITTING               |       |
| 20   | 56174725    | 2    | OIL FILTER BRACKET         |       |
| 13   | 58170352    | 1    | FLEXIBLE HOSE              |       |
| 25   | 58172806    | 1    | FLEXIBLE HOSE              |       |
| 14   | 58173505    | 1    | FLEXIBLE HOSE              |       |
| 28   | 58173506    | 1    | FLEXIBLE HOSE              |       |
| 1    | 58174774    | 1    | LIFT PUMP                  |       |
| 18   | 58175014    | 2    | FILTER                     |       |
| 7    | 58175122    | 1    | DIGITAL INSTRUMENT         |       |
| 4    | 59074745    | 1    | SUCTION PIPE               |       |
| 29   | 59074747    | 1    | PIPE                       |       |
| 3    | 59074750    | 1    | SUCTION PIPE               |       |
| 26   | 59074752    | 1    | PIPE                       |       |
| 28   | F0803208020 | 1    | O-RING                     |       |
| 12   | F0817523010 | 8    | CLAMP                      |       |
| 9    | F0824110000 | 1    | COPPER WASHER 3/8 GAS      |       |
| 16   | F0824185000 | 2    | COPPER WASHER 26X34X1,5    |       |
| 18,1 | F0825718020 | 2    | FILTER INSERT              |       |
| 17   | F0840563000 | 3    | PIPE FITTING               |       |
| 22   | F0843643060 | 7    | WASHER 8                   |       |
| 24   | F0843755000 | 4    | WASHER 10                  |       |
| 11   | F0843907000 | 1    | COPPER WASHER 13,66x19/1,5 |       |
| 10   | F0852538050 | 1    | PLUG                       |       |



| Pos. | Code        | Q.ty | Description                | Notes |
|------|-------------|------|----------------------------|-------|
| 6    | 31112090    | 5    | SCREW TE M6X16 UNI 5739 8G |       |
| 9    | 31112210    | 2    | SCREW TE M10X20 UNI 5739   |       |
| 2    | 31152083    | 4    | SCREW TCEI M8X30 UNI 5931  |       |
| 8    | 31212060    | 5    | NUT                        |       |
| 12   | 56172547    | 1    | THREADED TERMINAL END      |       |
| 4    | 56174987    | 1    | RIGHT YOKE                 |       |
| 5    | 56174988    | 1    | LEFT BRACKET               |       |
| 18   | 56175294    | 1    | BRACKET                    |       |
| 14   | 58075228    | 1    | PRESSURE PIPE              |       |
| 15   | 58075229    | 1    | FLEXIBLE HOSE              |       |
| 1    | 58174775    | 1    | LIFT PUMP                  |       |
| 3    | 58175222    | 1    | OIL EXCHANGER              |       |
| 11   | 59075063    | 1    | PRESSURE PIPE              |       |
| 17   | F0824110000 | 1    | COPPER WASHER 3/8 GAS      |       |
| 13   | F0824113000 | 2    | COPPER WASHER 18X24/1,5    |       |
| 16   | F0835024010 | 1    | NIPPLE                     |       |
| 7    | F0843570000 | 5    | WASHER 6                   |       |
| 10   | F0843755000 | 2    | WASHER 10                  |       |





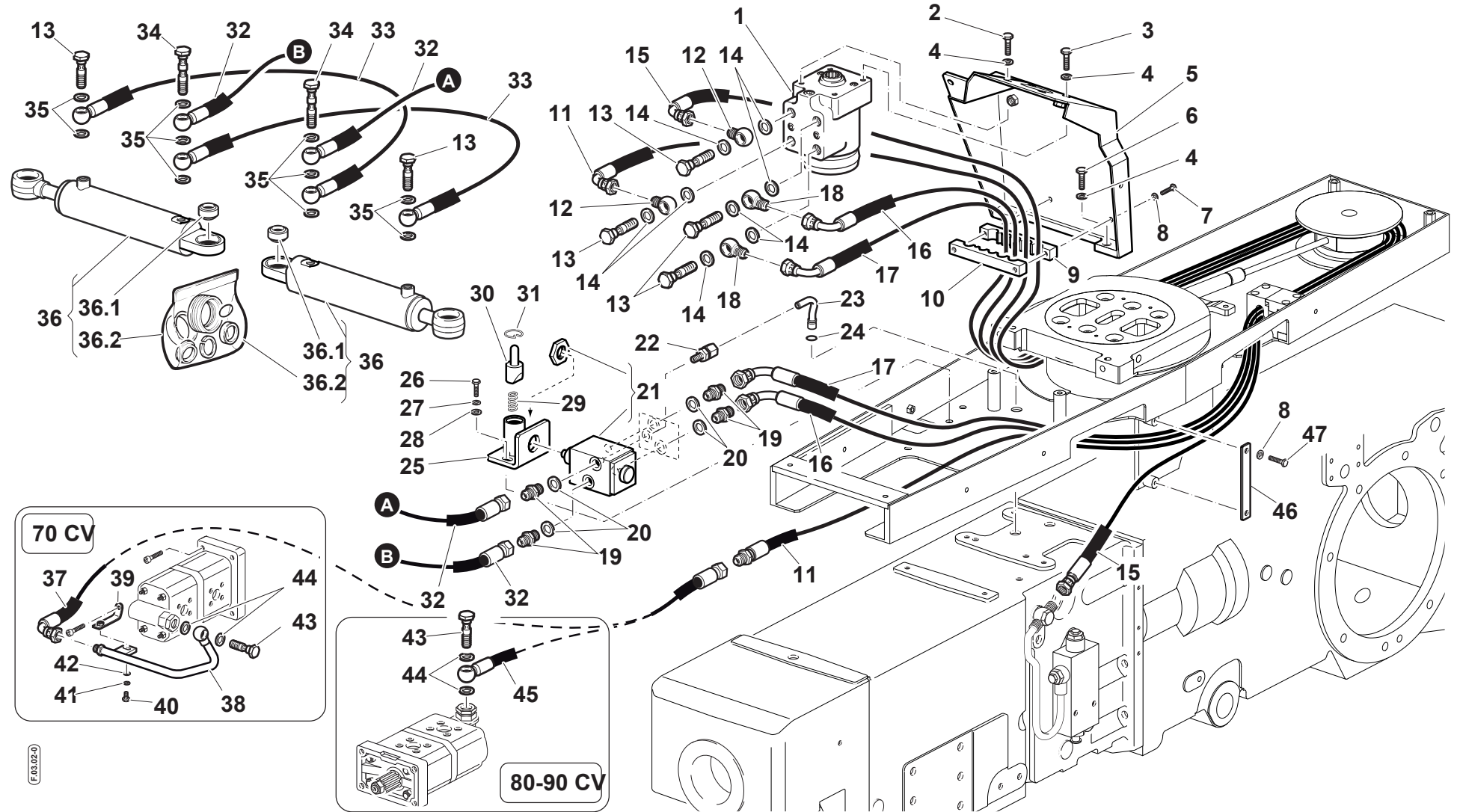
| Pos. | Code        | Q.ty | Description                | Notes |
|------|-------------|------|----------------------------|-------|
| 34   | 30000211    | 2    | HOLLOW SCREW M14X1,5       |       |
| 7    | 31112086    | 2    | SCREW TE M6X30 UNI 5737 8G |       |
| 40   | 31112090    | 1    | SCREW TE M6X16 UNI 5739 8G |       |
| 26   | 31112150    | 2    | SCREW TE M8X20 UNI 5739 8G |       |
| 2    | 31112210    | 1    | SCREW TE M10X20 UNI 5739   |       |
| 6    | 31112211    | 2    | SCREW TE M10X30 UNI 5739   |       |
| 3    | 31112219    | 3    | SCREW TE M10X25 UNI 5739   |       |
| 42   | 31411064    | 1    | WASHER 6,4x12,5            |       |
| 28   | 31411084    | 2    | WASHER 8,4x17              |       |
| 10   | 56174480    | 1    | COMB                       |       |
| 9    | 56174481    | 1    | COMB                       |       |
| 30   | 56174485    | 1    | CURSOR                     |       |
| 46   | 56174494    | 1    | SMALL PLATE                |       |
| 33   | 58074733    | 2    | CONNECTION PIPE            |       |
| 32   | 58074734    | 2    | FLEXIBLE HOSE              |       |
| 15   | 58074738    | 1    | RETURN PIPE                |       |
| 45   | 58074739    | 1    | PRESSURE PIPE              |       |
| 17   | 58074740    | 1    | FLEXIBLE HOSE              |       |
| 11   | 58074836    | 1    | FLEXIBLE HOSE              |       |
| 16   | 58074891    | 1    | FLEXIBLE HOSE              |       |
| 37   | 58075248    | 1    | FLEXIBLE HOSE              |       |
| 1    | 58171160    | 1    | HYDROSTEERING              |       |
| 36,1 | 58171739    | 1    | BALL JOINT                 |       |
| 22   | 58174547    | 1    | NIPPLE                     |       |
| 36   | 58174710    | 2    | STEERING CYLINDER          |       |
| 5    | 59072974    | 1    | SUPPORT                    |       |
| 25   | 59074482    | 1    | PLATE                      |       |
| 23   | 59074546    | 1    | EXHAUST                    |       |
| 38   | 59075224    | 1    | PRESSURE PIPE              |       |
| 39   | 59075225    | 1    | FIXING BRACKET             |       |
| 36,2 | 59900339    | 1    | GASKET SET                 |       |
| 31   | F0801163000 | 1    | SEEGER RING                |       |
| 24   | F0803050000 | 1    | O-RING                     |       |
| 44   | F0824113000 | 2    | COPPER WASHER 18X24/1,5    |       |

SERIAL

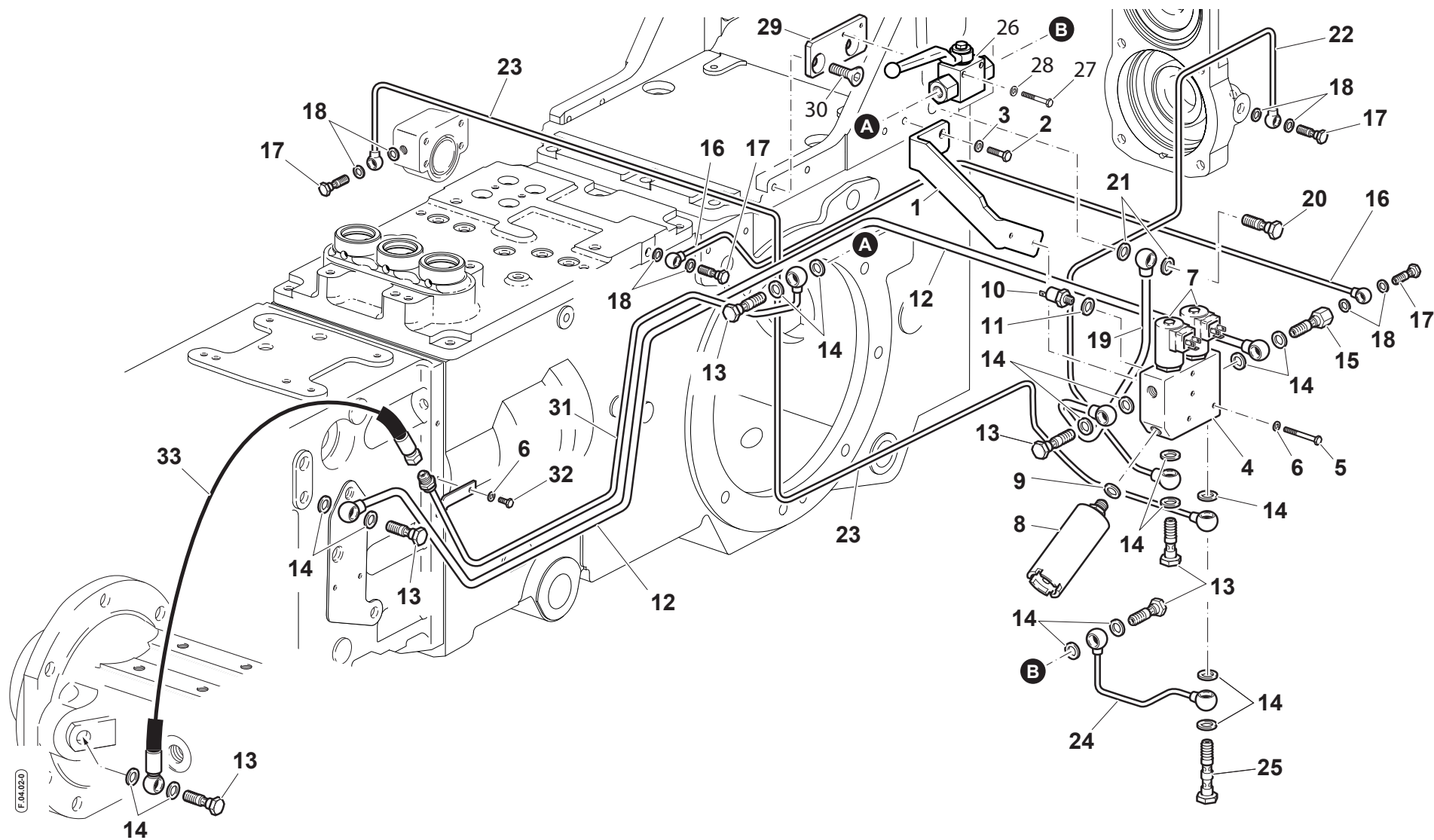
**STEERING HYDR. SYSTEM**

CODE REV

**F.03.02.L50020\_0**



| Pos. | Code          | Q.ty | Description                   | Notes |
|------|---------------|------|-------------------------------|-------|
| 14   | F0824141000   | 8    | COPPER WASHER 21x27/1,5       |       |
| 29   | F0831065000   | 1    | SPRING                        |       |
| 19   | F0835031010   | 4    | NIPPLE                        |       |
| 18   | F0835040030   | 2    | PIPE FITTING                  |       |
| 12   | F0842512000   | 2    | PIPE FITTING                  |       |
| 43   | F0843110010   | 1    | THREADED TERMINAL END M18x1,5 |       |
| 13   | F0843116000   | 6    | PIPE FITTING 1/2              |       |
| 41   | F0843570000   | 1    | WASHER 6                      |       |
| 27   | F0843643060   | 2    | WASHER 8                      |       |
| 8    | F0843643060   | 4    | WASHER 8                      |       |
| 4    | F0843755000   | 6    | WASHER 10                     |       |
| 20   | F0843907000   | 4    | COPPER WASHER 13,66x19/1,5    |       |
| 35   | F0843948000   | 10   | COPPER WASHER 14,0x20/1,5     |       |
| 47   | F0862129000   | 2    | SCREW M6X18 UNI 5739 8.8      |       |
| 21   | P227332000000 | 1    | D.A. VALVE                    |       |



| Pos. | Code          | Q.ty | Description                | Notes |
|------|---------------|------|----------------------------|-------|
| 32   | 31111090      | 1    | SCREW                      |       |
| 2    | 31112150      | 2    | SCREW TE M8X20 UNI 5739 8G |       |
| 25   | 56170413      | 1    | PIPE FITTING               |       |
| 15   | 56172072      | 1    | PIPE FITTING               |       |
| 4    | 56172749      | 1    | SMALL BLOCK                |       |
| 1    | 56174665      | 1    | SUPPORT                    |       |
| 29   | 56175076      | 1    | FIXING BRACKET             |       |
| 33   | 58074736      | 1    | FLEXIBLE HOSE              |       |
| 26   | 58171072      | 1    | SWITCH                     |       |
| 7    | 58172463      | 2    | ELECTRO VALVE              |       |
| 10   | 58173399      | 1    | PRESSURE SWITCH            |       |
| 16   | 59074640      | 1    | PIPE                       |       |
| 12   | 59074742      | 1    | PRESSURE PIPE              |       |
| 22   | 59074743      | 1    | PRESSURE PIPE              |       |
| 19   | 59074744      | 1    | EXHAUST                    |       |
| 23   | 59074748      | 1    | PRESSURE PIPE              |       |
| 31   | 59075067      | 1    | PRESSURE PIPE              |       |
| 24   | 59075068      | 1    | PIPE                       |       |
| 8    | 59271011      | 1    | UNIT                       |       |
| 21   | F0824110000   | 2    | COPPER WASHER 3/8 GAS      |       |
| 17   | F0843102000   | 4    | THREADED TERMINAL END      |       |
| 20   | F0843109020   | 1    | PIPE FITTING               |       |
| 28   | F0843561000   | 2    | WASHER 5                   |       |
| 6    | F0843570000   | 3    | WASHER 6                   |       |
| 3    | F0843643060   | 2    | WASHER 8                   |       |
| 18   | F0843771000   | 8    | COPPER WASHER 10,0x16/1    |       |
| 11   | F0843841000   | 1    | COPPER WASHER 12,0x18/1,5  |       |
| 14   | F0843907000   | 17   | COPPER WASHER 13,66x19/1,5 |       |
| 9    | F0843948000   | 1    | COPPER WASHER 14,0x20/1,5  |       |
| 27   | F0861943000   | 2    | SCREW M5X35 UNI 5737       |       |
| 5    | F0862345000   | 2    | SCREW M6X40 UNI 5737       |       |
| 30   | F0862481000   | 2    | SCREW M8x16 UNI 5933       |       |
| 13   | P988438000001 | 6    | HOLLOW SCREW 1/4           |       |

SERIAL

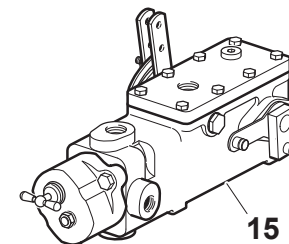
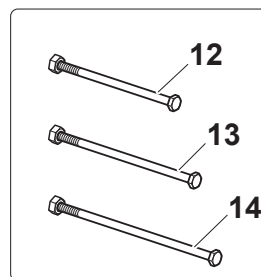
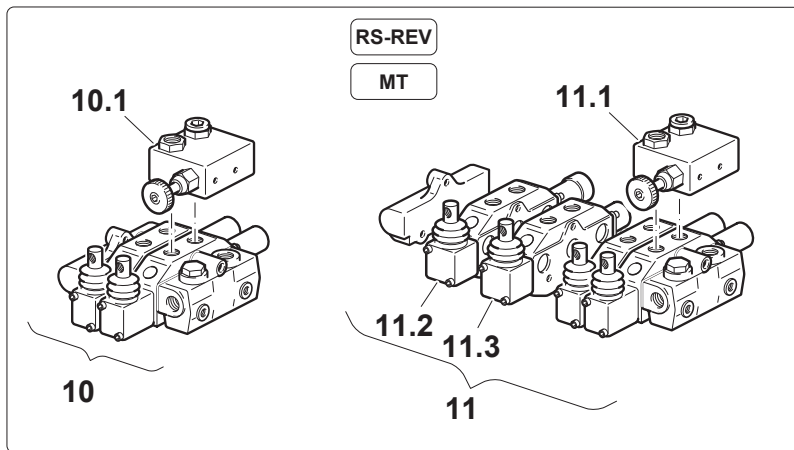
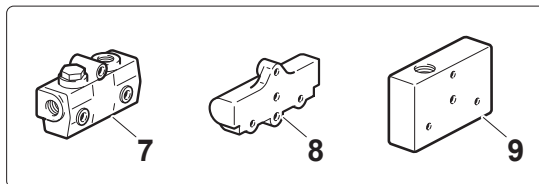
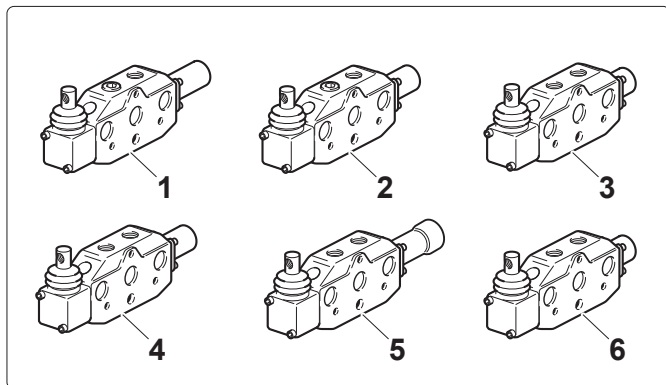
**PTO /DIFFERENTIAL LOCK HYDR. SYSTEM**

CODE REV

**F.04.02.L50023\_0**



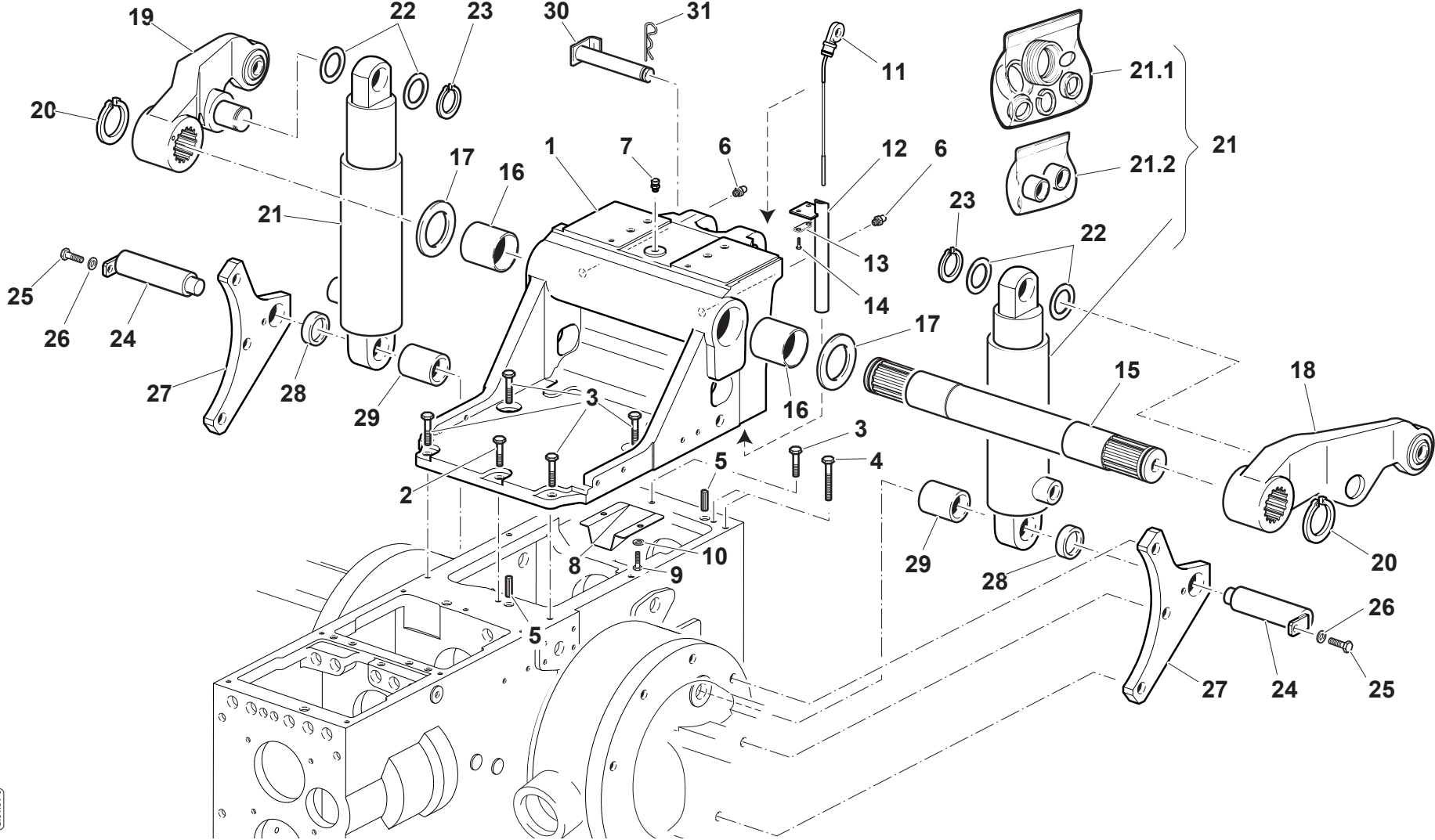
- VEDI TAVOLE GRUPPI...  
- SEE TABLES OF GROUPS...  
- VOIR TABLES GROUPE...  
- SIEHE GRUPPETAFFEL...  
- MIRAR TABLAS GRUPOS...



VEDI TAVOLE GRUPPO...  
SEE TABLES OF GROUP...  
VOIR TABLES GROUPE...  
SIEHE GRUPPETAFFEL...  
MIRAR TABLAS GRUPO...



| Pos. | Code     | Q.ty | Description           | Notes |
|------|----------|------|-----------------------|-------|
| 10   | 58171925 | 1    | FLOATING DEVICE GROUP |       |
| 1    | 58172011 | 1    | S.A. VALVE            |       |
| 3    | 58172012 | 1    | D.A. VALVE            |       |
| 4    | 58172013 | 1    | D.A. VALVE            |       |
| 11,2 | 58172014 | 1    | D.A. VALVE            |       |
| 5    | 58172014 | 1    | D.A. VALVE            |       |
| 12   | 58172016 | 1    | ROD                   |       |
| 13   | 58172017 | 1    | ROD                   |       |
| 14   | 58172018 | 1    | ROD                   |       |
| 11,3 | 58172240 | 1    | D.A. VALVE            |       |
| 6    | 58172240 | 1    | D.A. VALVE            |       |
| 7    | 58172304 | 1    | HEAD                  |       |
| 8    | 58172489 | 1    | COVER                 |       |
| 2    | 58172707 | 1    | S.A. VALVE            |       |
| 9    | 58173361 | 1    | COVER                 |       |
| 11   | 58174974 | 1    | FLOATING DEVICE GROUP |       |
| 15   | 58175191 | 1    | DISTRIBUTOR           |       |
| 10,1 | 59900230 | 1    | VALVE                 |       |
| 11,1 | 59900230 | 1    | VALVE                 |       |





| Pos. | Code        | Q.ty | Description                | Notes |
|------|-------------|------|----------------------------|-------|
| 14   | 31112082    | 2    | SCREW TE M6X12 UNI 5739 8G |       |
| 9    | 31112149    | 2    | SCREW TE M8X12 UNI 5739 8G |       |
| 25   | 31112150    | 2    | SCREW TE M8X20 UNI 5739 8G |       |
| 3    | 31112211    | 5    | SCREW TE M10X30 UNI 5739   |       |
| 2    | 31112219    | 1    | SCREW TE M10X25 UNI 5739   |       |
| 1    | 51174315    | 1    | SUPPORT                    |       |
| 13   | 52071702    | 1    | CLAMPING PLATE             |       |
| 27   | 56170283    | 2    | BRACKET                    |       |
| 29   | 56170285    | 2    | SPACER                     |       |
| 28   | 56170286    | 2    | SPACER                     |       |
| 8    | 56173638    | 1    | GUARD                      |       |
| 22   | 56370282    | 4    | SHIM                       |       |
| 24   | 56370287    | 2    | HINGE PIN                  |       |
| 17   | 56370288    | 2    | SHIM                       |       |
| 5    | 56570016    | 2    | CYLINDRICAL PLUG           |       |
| 15   | 56570284    | 1    | SHAFT                      |       |
| 7    | 58075603    | 1    | PLUG                       |       |
| 21   | 58170245    | 2    | LIFTING CYLINDER           |       |
| 16   | 58170291    | 2    | BUSHING                    |       |
| 21,2 | 58171536    | 1    | BUSHINGS KIT               |       |
| 21,1 | 58171537    | 1    | GASKET SET                 |       |
| 11   | 58174581    | 1    | OIL LEVEL ROD              |       |
| 18   | 59070289    | 1    | LIFTING ARM                |       |
| 19   | 59070290    | 1    | RIGHT ARM                  |       |
| 30   | 59073189    | 1    | CONNECTING BOLT            |       |
| 12   | 59074443    | 1    | PIPE                       |       |
| 23   | F0801241010 | 2    | SEEGER RING                |       |
| 20   | F0801331050 | 2    | SEEGER RING                |       |
| 6    | F0826056000 | 2    | LUBRICATOR M10 UNI 7663A   |       |
| 10   | F0843643060 | 2    | WASHER 8                   |       |
| 26   | F0843643060 | 2    | WASHER 8                   |       |
| 31   | F0851486000 | 1    | SPLIT PIN                  |       |
| 4    | F0863429000 | 4    | SCREW M10X45 UNI 5737      |       |

SERIAL

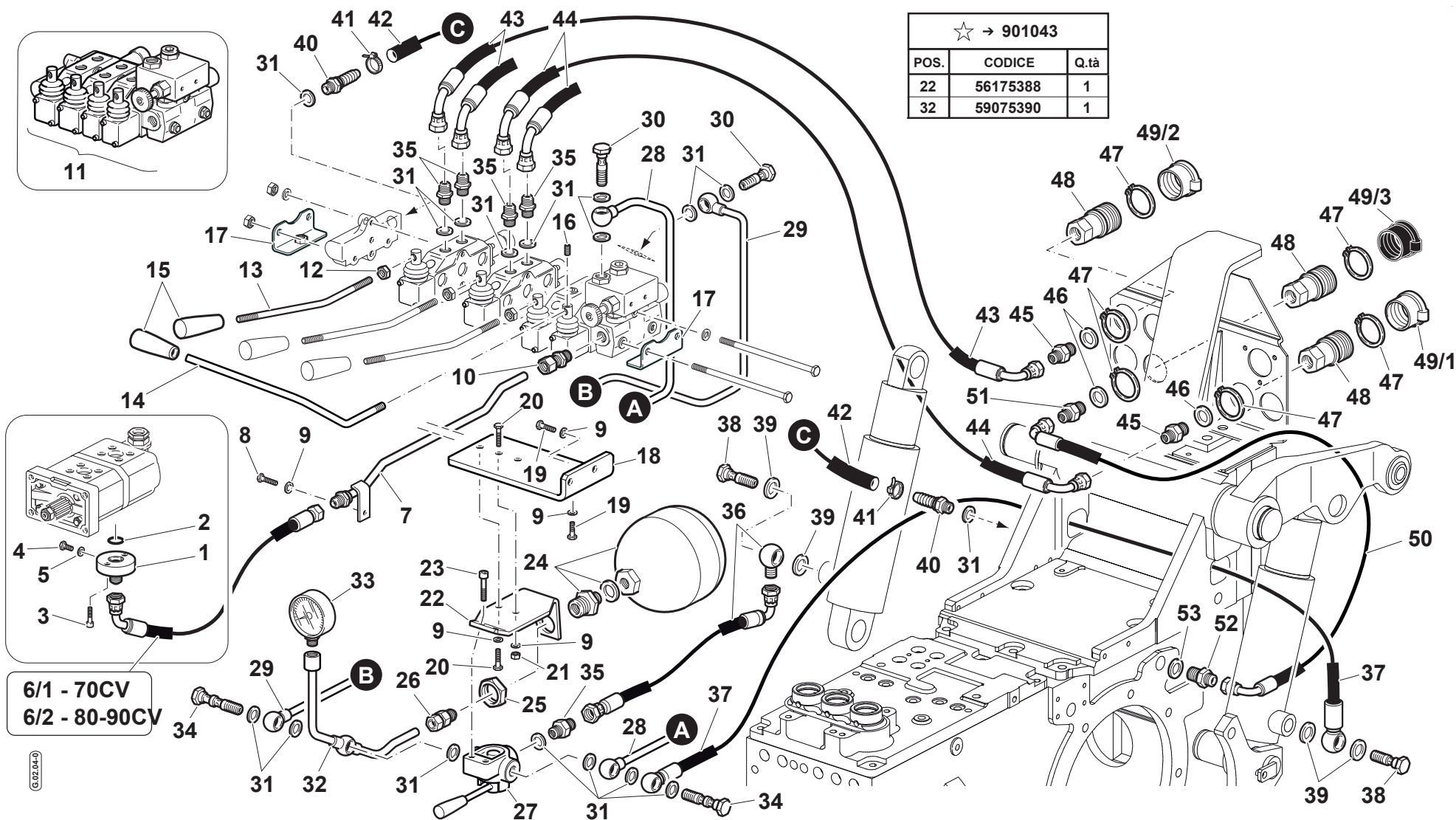
**RAISE/LOWER LIFT**

CODE REV

**L.01.01.L50017\_0**

☆ → 901043

| POS. | CODICE   | Q.tà |
|------|----------|------|
| 22   | 56175388 | 1    |
| 32   | 59075390 | 1    |



6/1 - 70CV  
6/2 - 80-90CV

| Pos. | Code     | Q.ty | Description                | Notes |
|------|----------|------|----------------------------|-------|
| 51   | 30000205 | 1    | NIPPLE                     |       |
| 8    | 31111151 | 1    | SCREW TE M8X16 UNI 5739 8G |       |
| 19   | 31112150 | 3    | SCREW TE M8X20 UNI 5739 8G |       |
| 20   | 31112151 | 2    | SCREW TE M8X25 UNI 5739 8G |       |
| 3    | 31152057 | 2    | SCREW                      |       |
| 23   | 31152084 | 2    | SCREW TCEI M8X35 UNI 5931  |       |
| 21   | 31211080 | 1    | NUT M8                     |       |
| 12   | 31211100 | 3    | NUT M10                    |       |
| 25   | 56170779 | 1    | NUT                        |       |
| 13   | 56170964 | 3    | COMMAND LEVER              |       |
| 18   | 56174202 | 1    | RETAINER                   |       |
| 14   | 56175157 | 1    | COMMAND LEVER              |       |
| 22   | 56175388 | 1    | SUPPORT                    |       |
| 42   | 58070519 | 1    | OIL PIPE                   |       |
| 6/02 | 58073147 | 1    | FLEXIBLE HOSE              |       |
| 37   | 58075074 | 1    | FLEXIBLE HOSE              |       |
| 43   | 58075080 | 2    | FLEXIBLE HOSE              |       |
| 44   | 58075087 | 2    | FLEXIBLE HOSE              |       |
| 50   | 58075151 | 1    | FLEXIBLE HOSE              |       |
| 6/01 | 58075247 | 1    | FLEXIBLE HOSE              |       |
| 26   | 58170251 | 1    | PIPE FITTING               |       |
| 33   | 58170597 | 1    | MANOMETER                  |       |
| 34   | 58170693 | 2    | PIPE FITTING               |       |
| 10   | 58172015 | 1    | PIPE FITTING               |       |
| 40   | 58172307 | 2    | RUBBER HOLDER              |       |
| 11   | 58174974 | 1    | FLOATING DEVICE GROUP      |       |
| 52   | 58175083 | 1    | NIPPLE                     |       |
| 17   | 59072057 | 2    | FIXING BRACKET             |       |
| 7    | 59074754 | 1    | PRESSURE PIPE              |       |
| 28   | 59075064 | 1    | PIPE                       |       |
| 29   | 59075389 | 1    | DISTRIBUTING PIPE          |       |
| 32   | 59075390 | 1    | PRESSURE PIPE              |       |
| 24   | 59900364 | 1    | KIT                        |       |
| 36   | 59900365 | 1    | PIPE SET                   |       |

SERIAL

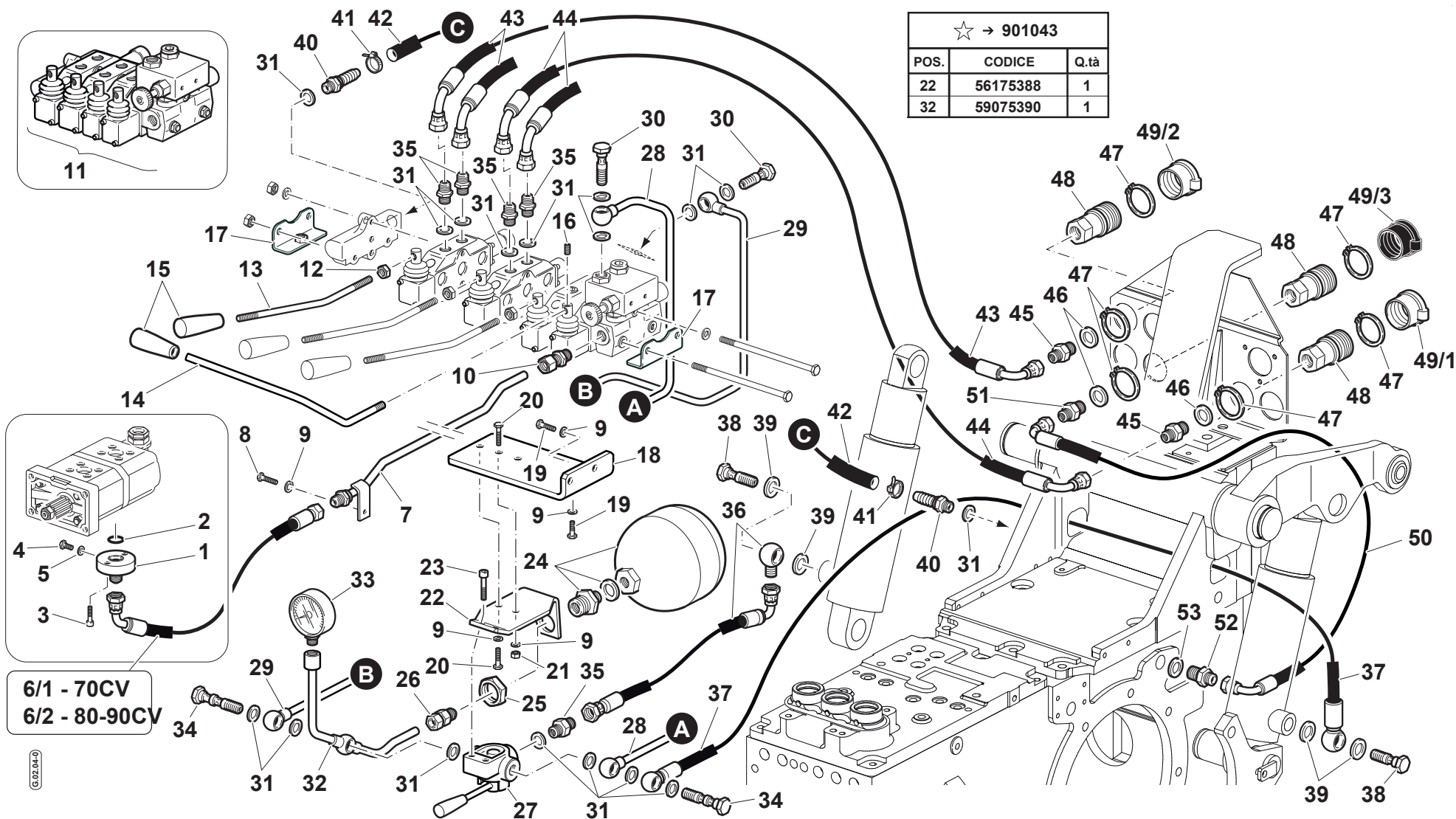
**HYDR. SUSPENSION VERSION**

CODE REV

**L.02.04.L50023\_0**

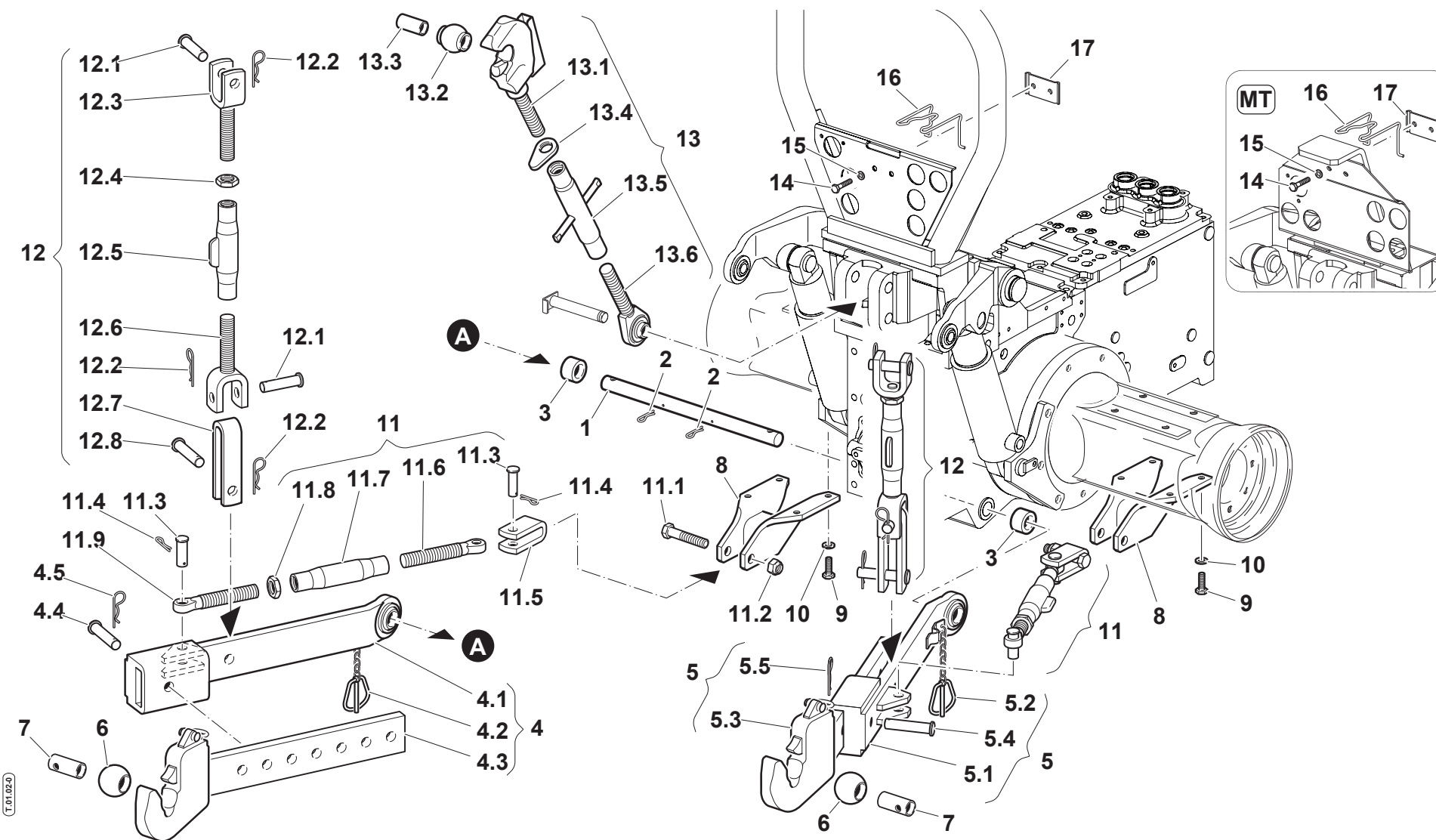
☆ → 901043

| POS. | CODICE   | Q.tà |
|------|----------|------|
| 22   | 56175388 | 1    |
| 32   | 59075390 | 1    |



6/1 - 70CV  
6/2 - 80-90CV

| Pos.  | Code          | Q.ty | Description                   | Notes |
|-------|---------------|------|-------------------------------|-------|
| 27    | F0110037024   | 1    | SWITCH                        |       |
| 47    | F0801297000   | 10   | RING                          |       |
| 2     | F0803185000   | 1    | O-RING                        |       |
| 41    | F0817519000   | 2    | CLAMP                         |       |
| 5     | F0824022000   | 1    | SPECIAL GASKET D.8,4X12/1     |       |
| 31    | F0824110000   | 17   | COPPER WASHER 3/8 GAS         |       |
| 39    | F0824113000   | 4    | COPPER WASHER 18X24/1,5       |       |
| 46    | F0824141000   | 5    | COPPER WASHER 21x27/1,5       |       |
| 1     | F0825809000   | 1    | PRESSURE PIPE CONNECTOR       |       |
| 48    | F0825980030   | 5    | COUPLING                      |       |
| 35    | F0835024010   | 5    | NIPPLE                        |       |
| 45    | F0835037000   | 4    | NIPPLE                        |       |
| 15    | F0837534010   | 4    | GRIP                          |       |
| 30    | F0843109020   | 2    | PIPE FITTING                  |       |
| 38    | F0843110010   | 2    | THREADED TERMINAL END M18x1,5 |       |
| 9     | F0843643060   | 6    | WASHER 8                      |       |
| 53    | F0844273090   | 1    | GASKET 22X28X1,5 CU 99,5      |       |
| 49/01 | F0852550020   | 2    | GUARD                         |       |
| 49/02 | F0852550030   | 2    | GUARD                         |       |
| 49/03 | F0852550040   | 1    | GUARD                         |       |
| 4     | F0862462010   | 1    | SCREW                         |       |
| 16    | P000000005672 | 1    | SCREW M10X10 UNI 5927         |       |



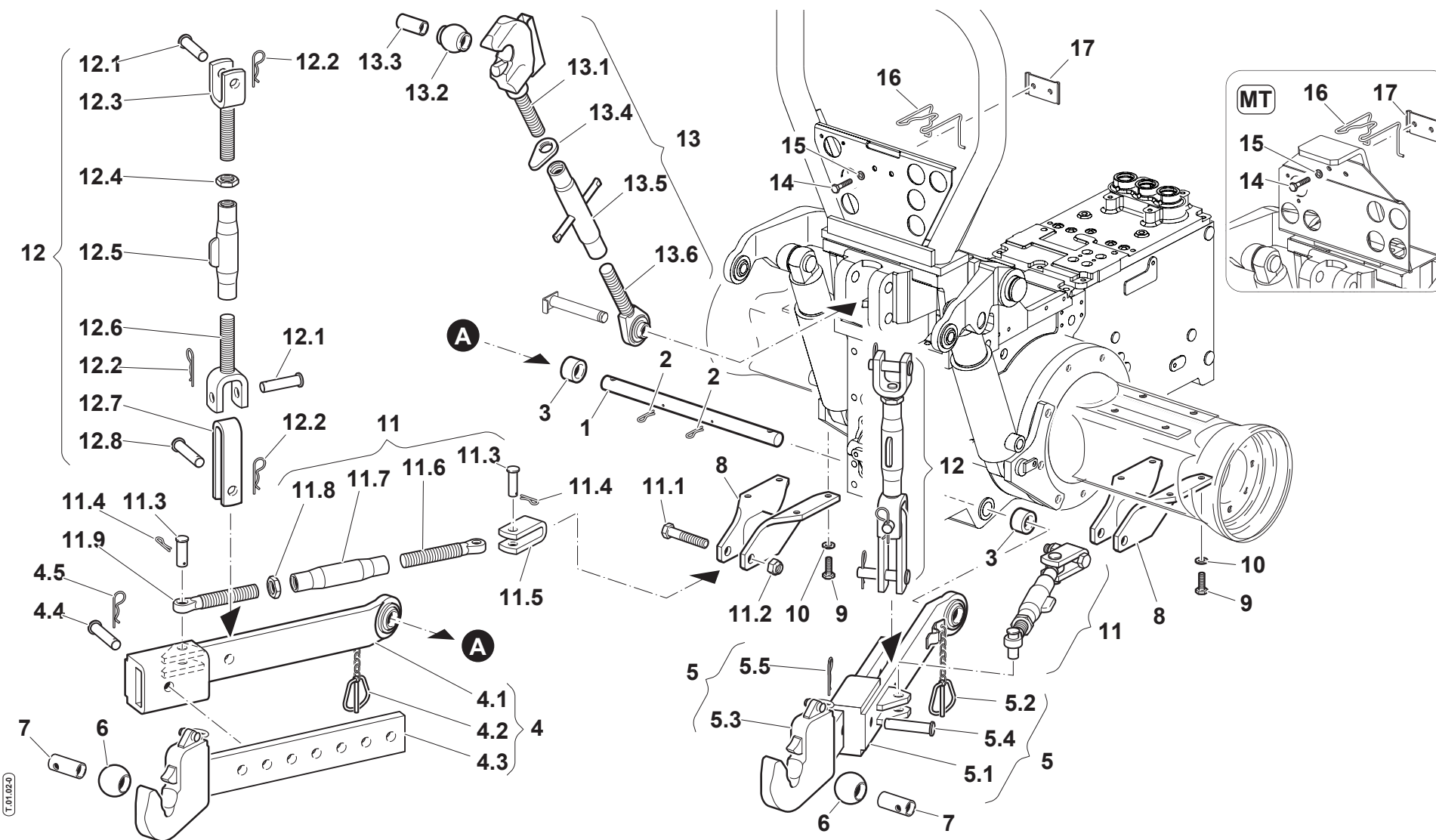
| Pos. | Code     | Q.ty | Description                   | Notes |
|------|----------|------|-------------------------------|-------|
| 14   | 31112150 | 2    | SCREW TE M8X20 UNI 5739 8G    |       |
| 9    | 31112211 | 8    | SCREW TE M10X30 UNI 5739      |       |
| 11,2 | 31241160 | 1    | SELFLOCK NUT M16 6S           |       |
| 11,4 | 34110029 | 2    | SPLIT PIN                     |       |
| 13,3 | 56073059 | 1    | REDUCING BUSH                 |       |
| 3    | 56170392 | 2    | SPACER                        |       |
| 12,8 | 56371101 | 1    | PIN                           |       |
| 4,4  | 56371101 | 1    | PIN                           |       |
| 5,4  | 56371101 | 1    | PIN                           |       |
| 1    | 56574008 | 1    | NON RETURN ARM BAR (75841/2)  |       |
| 11,3 | 58070480 | 2    | PIN                           |       |
| 11,5 | 58070484 | 1    | BRACKET                       |       |
| 11,6 | 58070558 | 1    | TIRANTE FILETTATO SINISTRO fp |       |
| 11,7 | 58070559 | 1    | PIPE                          |       |
| 11,9 | 58070560 | 1    | ROD                           |       |
| 13   | 58070848 | 1    | 3-POINT HITCH                 |       |
| 4,3  | 58071188 | 1    | TIP                           |       |
| 5,3  | 58071189 | 1    | TIP                           |       |
| 11   | 58071196 | 2    | ROD                           |       |
| 12,1 | 58071755 | 2    | PIN                           |       |
| 12,7 | 58071758 | 1    | FORK                          |       |
| 4,1  | 58071864 | 1    | TIP                           |       |
| 5,1  | 58071864 | 1    | TIP                           |       |
| 4    | 58071872 | 1    | ARM                           |       |
| 5    | 58071873 | 1    | RIGHT ARM                     |       |
| 12,3 | 58072053 | 1    | ROD                           |       |
| 12,5 | 58072054 | 1    | PIPE                          |       |
| 12,6 | 58072055 | 1    | ROD                           |       |
| 12   | 58072056 | 2    | ROD                           |       |
| 16   | 58170449 | 1    | RETAINING SPRING              |       |
| 6    | 58171000 | 2    | JOINT                         |       |
| 13,6 | 58171004 | 1    | TIP                           |       |
| 13,5 | 58171005 | 1    | BODY                          |       |
| 13,4 | 58171006 | 1    | RETAINING WASHER              |       |

SERIAL

**IMPLEMENTS ATTACHMENT - ADJUSTABLE ARMS WITH QUICK HITCHES**

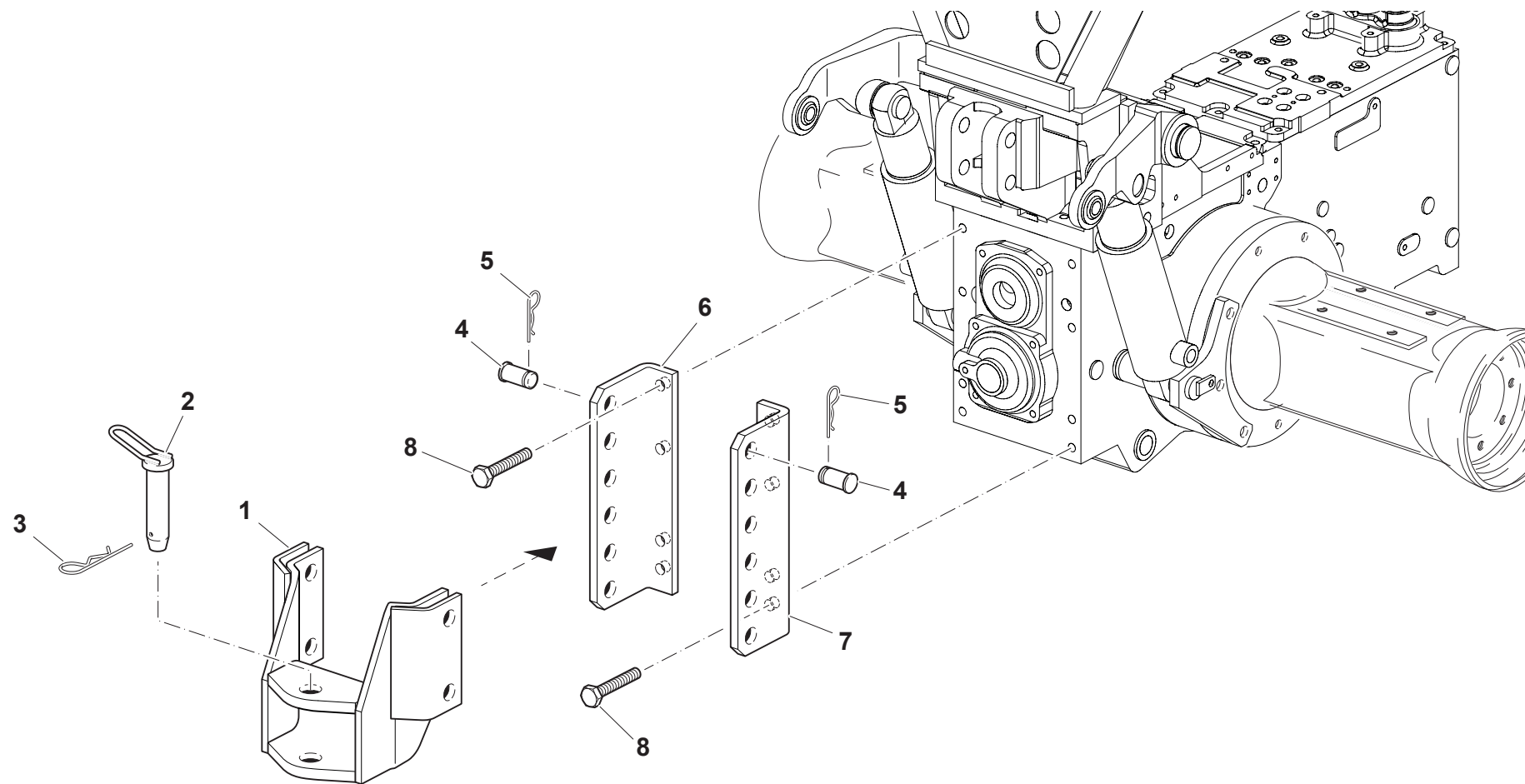
CODE REV

**T.01.02.L50017\_0**

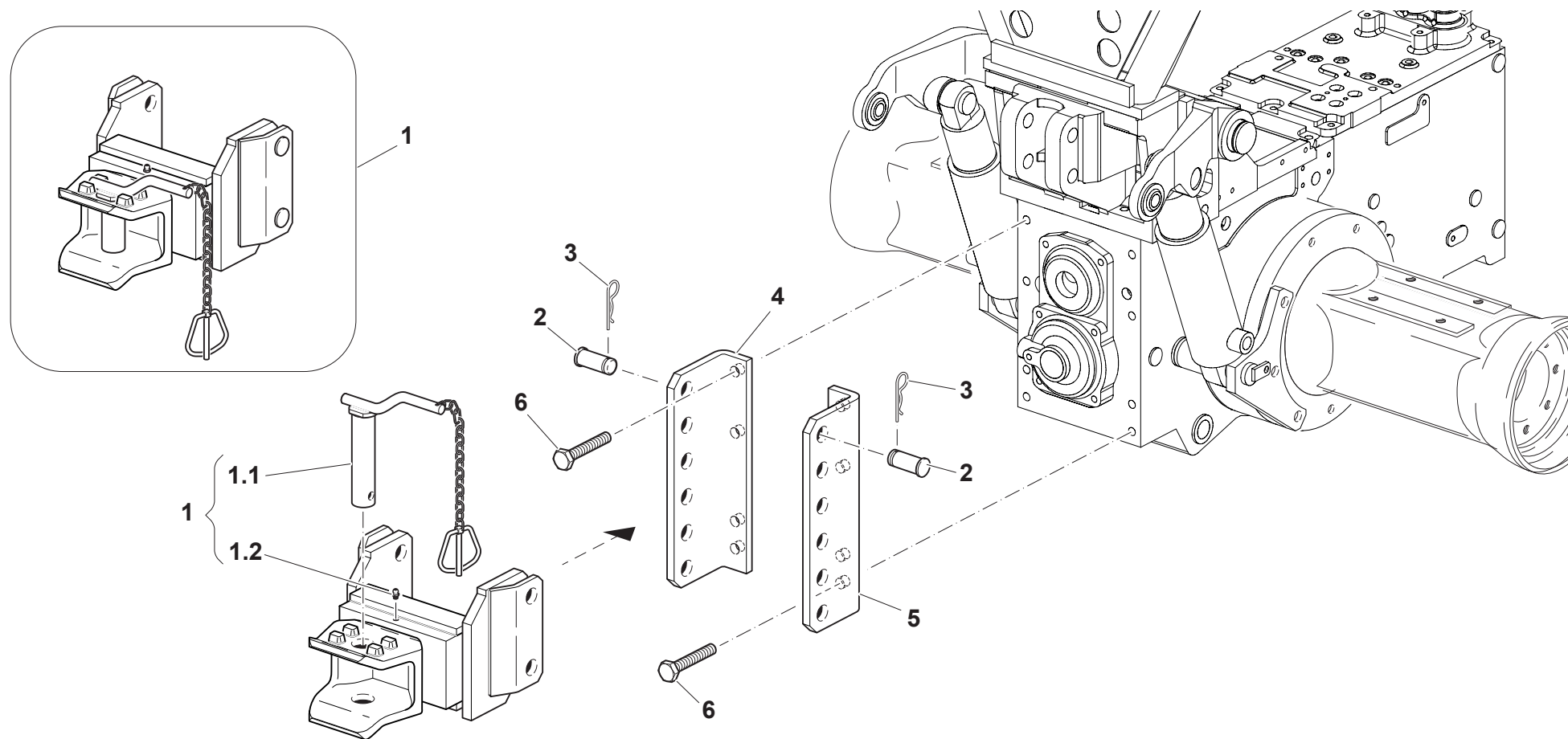




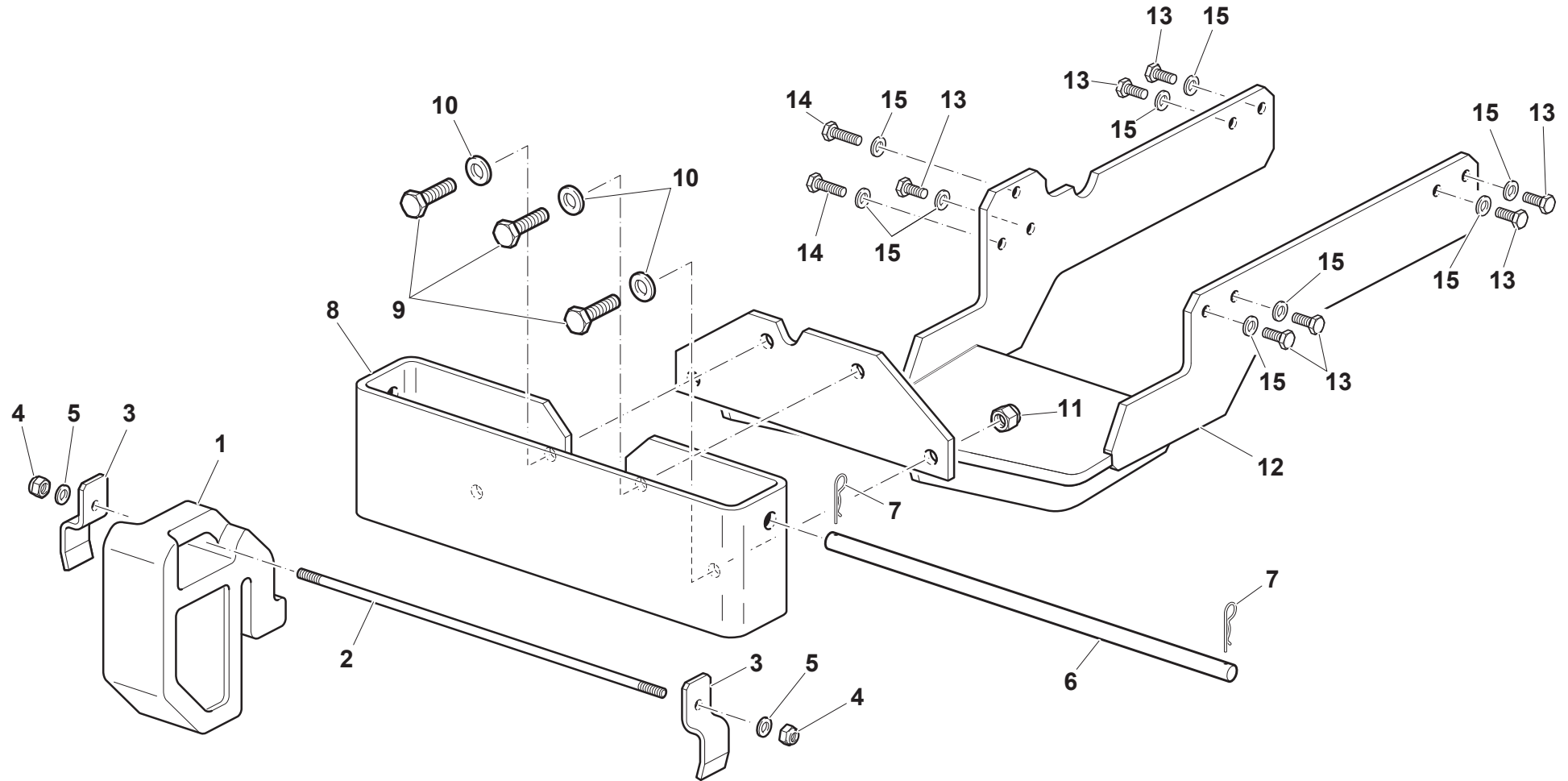
| Pos. | Code        | Q.ty | Description           | Notes |
|------|-------------|------|-----------------------|-------|
| 13,1 | 58171007    | 1    | TIP                   |       |
| 7    | 58171021    | 2    | REDUCING BUSH         |       |
| 13,2 | 58173072    | 1    | JOINT                 |       |
| 8    | 59070316    | 2    | SUPPORT               |       |
| 17   | 59070448    | 1    | FIXING BRACKET        |       |
| 2    | F0810622010 | 2    | FRONT COVER           |       |
| 11,8 | F0814907000 | 1    | NUT M24X2             |       |
| 12,4 | F0814907000 | 1    | NUT M24X2             |       |
| 15   | F0843643060 | 2    | WASHER 8              |       |
| 10   | F0843755000 | 8    | WASHER 10             |       |
| 12,2 | F0851486000 | 3    | SPLIT PIN             |       |
| 4,5  | F0851486000 |      | SPLIT PIN             |       |
| 5,5  | F0851486000 |      | SPLIT PIN             |       |
| 4,2  | F0852107050 | 1    | PISTON PIN            |       |
| 5,2  | F0852107050 | 1    | PISTON PIN            |       |
| 11,1 | F0864379010 | 1    | SCREW M16X80 UNI 5737 |       |



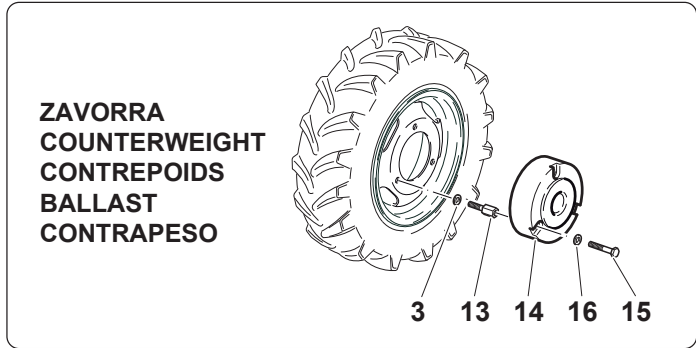
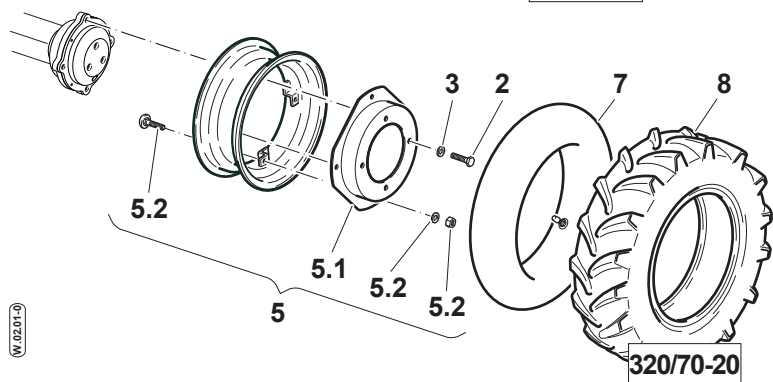
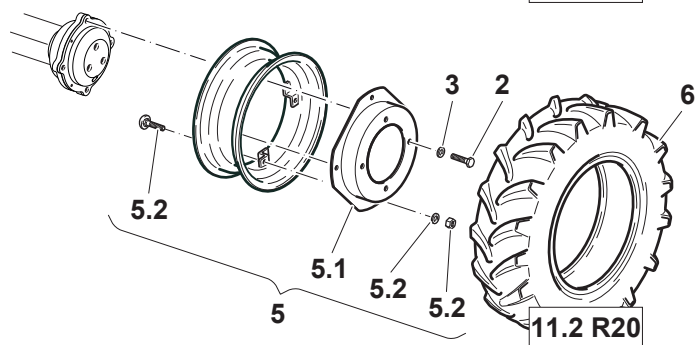
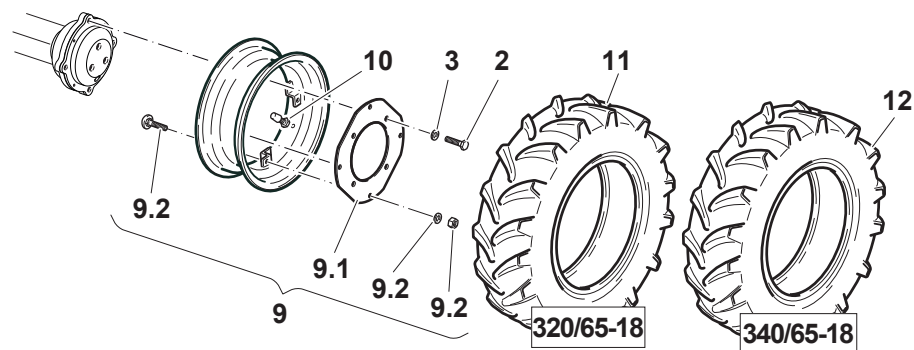
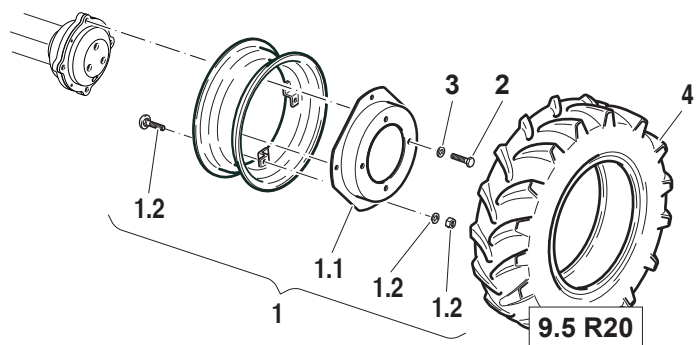
| Pos. | Code        | Q.ty | Description           | Notes |
|------|-------------|------|-----------------------|-------|
| 6    | 56170704    | 1    | SUPPORT               |       |
| 7    | 56170705    | 1    | SUPPORT               |       |
| 4    | 56370696    | 2    | PIN                   |       |
| 1    | 59070702    | 1    | TOW HOOK              |       |
| 2    | F0808060100 | 1    | LATCH D.28X117        |       |
| 5    | F0851486000 | 2    | SPLIT PIN             |       |
| 3    | F0851497000 | 1    | SPLIT PIN             |       |
| 8    | F0864180000 | 8    | SCREW M14X30 UNI 5740 |       |



| Pos. | Code        | Q.ty | Description              | Notes |
|------|-------------|------|--------------------------|-------|
| 4    | 56170704    | 1    | SUPPORT                  |       |
| 5    | 56170705    | 1    | SUPPORT                  |       |
| 2    | 56375008    | 2    | PIN                      |       |
| 1,1  | 59075012    | 1    | PIN                      |       |
| 1    | 59375009    | 1    | TOW HOOK                 |       |
| 1,2  | F0826056000 | 1    | LUBRICATOR M10 UNI 7663A |       |
| 3    | F0851486000 | 2    | SPLIT PIN                |       |
| 6    | F0864180000 | 8    | SCREW M14X30 UNI 5740    |       |

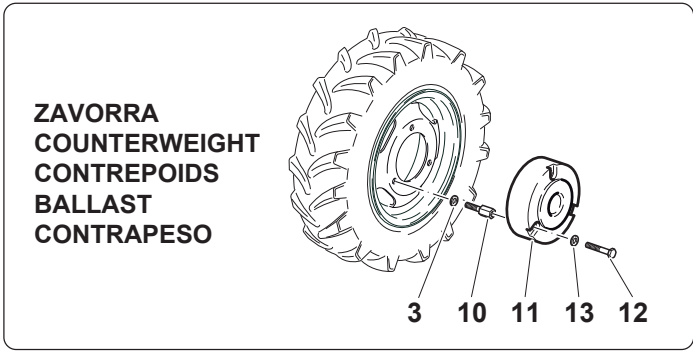
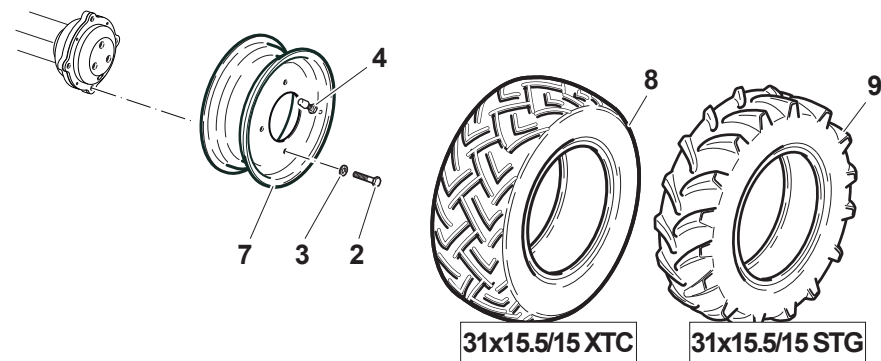
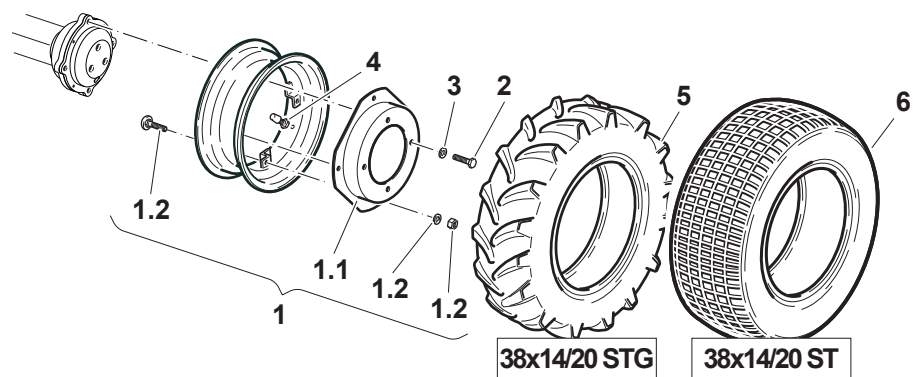


| Pos. | Code        | Q.ty | Description              | Notes |
|------|-------------|------|--------------------------|-------|
| 14   | 31112212    | 2    | SCREW TE M10X35 UNI 5739 |       |
| 13   | 31112219    | 7    | SCREW TE M10X25 UNI 5739 |       |
| 4    | 31241100    | 2    | SELFLOCK HEXAGON NUT M10 |       |
| 5    | 31411105    | 2    | WASHER 10,5x21           |       |
| 6    | 56075237    | 1    | ROD                      |       |
| 2    | 56075238    | 1    | ROD                      |       |
| 8    | 59075239    | 1    | BALLAST CARRIER          |       |
| 12   | 59075438    | 1    | BRACE                    |       |
| 1    | F0150051050 | 6    | FRONT BALLAST            |       |
| 3    | F0150051145 | 2    | SQUARE                   |       |
| 11   | F0814756000 | 2    | NUT M14                  |       |
| 15   | F0843755000 | 9    | WASHER 10                |       |
| 10   | F0843921030 | 4    | WASHER 14                |       |
| 7    | F0851486000 | 2    | SPLIT PIN                |       |
| 9    | F0864245000 | 4    | SCREW M14X45 UNI 5737    |       |





| Pos. | Code          | Q.ty | Description             | Notes |
|------|---------------|------|-------------------------|-------|
| 14   | 51170540      | 1    | BALLAST                 |       |
| 13   | 56370539      | 4    | SCREW                   |       |
| 1,1  | 58170181      | 1    | DISC                    |       |
| 5,1  | 58170181      | 1    | DISC                    |       |
| 9,1  | 58175630      | 1    | RIM                     |       |
| 5    | 59270303      | 1    | RIM                     |       |
| 1    | 59270304      | 1    | RIM                     |       |
| 9    | 59275632      | 1    | RIM                     |       |
| 1,2  | 59900361      | 1    | KIT                     |       |
| 5,2  | 59900361      | 1    | KIT                     |       |
| 9,2  | 59900361      | 1    | KIT                     |       |
| 10   | F0150010905   | 1    | VALVE                   |       |
| 16   | F0843993060   | 4    | WASHER                  |       |
| 3    | F0844150000   | 4    | WASHER D.30x18,5/5      |       |
| 4    | F0848664000   | 1    | TYRE 9.5-R20            |       |
| 8    | F0848679500   | 1    | TYRE 320/70R20          |       |
| 11   | F0848679600   | 1    | TYRE                    |       |
| 6    | F0848680000   | 1    | TYRE 11.2-R20           |       |
| 7    | F0848940000   | 1    | INNER TUBE              |       |
| 15   | F0864314000   | 4    | SCREW                   |       |
| 2    | F0864410500   | 4    | SCREW M18X1,5/45 U/5740 |       |
| 12   | P000000009122 | 1    | TYRE 340/65R18          |       |



| Pos. | Code        | Q.ty | Description             | Notes |
|------|-------------|------|-------------------------|-------|
| 11   | 51170540    | 1    | BALLAST                 |       |
| 10   | 56370539    | 4    | SCREW                   |       |
| 1,1  | 58170181    | 1    | DISC                    |       |
| 7    | 58170731    | 1    | RIM                     |       |
| 1    | 59270302    | 1    | RIM                     |       |
| 1,2  | 59900361    | 1    | KIT                     |       |
| 4    | F0150010905 | 1    | VALVE                   |       |
| 13   | F0843993060 | 4    | WASHER                  |       |
| 3    | F0844150000 | 4    | WASHER D.30x18,5/5      |       |
| 8    | F0848681600 | 1    | TYRE 31X15.5-15 8PR     |       |
| 9    | F0848681605 | 2    | TYRE 31X15.5-15         |       |
| 6    | F0848683000 | 1    | TYRE                    |       |
| 5    | F0848683500 | 1    | TYRE 38X14.00-20 8PR    |       |
| 12   | F0864314000 | 4    | SCREW                   |       |
| 2    | F0864410500 | 4    | SCREW M18X1,5/45 U/5740 |       |

# SPARE PARTS INSTANCE INDEX





## SPARE PARTS INSTANCE INDEX

| Code     | Parts Table      | Pos. | Q.ty | Code     | Parts Table      | Pos. | Q.ty | Code     | Parts Table      | Pos. | Q.ty |
|----------|------------------|------|------|----------|------------------|------|------|----------|------------------|------|------|
| 30000007 | D.03.01.L50017_0 | 24   | 1    | 31112146 | C.02.01.L50017_0 | 10   | 2    | 31112155 | F.01.02.L50018_0 | 5    | 4    |
| 30000205 | L.02.04.L50023_0 | 51   | 1    |          | D.07.01.L50017_0 | 11   | 4    | 31112161 | D.11.01.L50017_0 | 3    | 2    |
| 30000211 | F.03.02.L50020_0 | 34   | 2    |          | D.15.02.L50020_0 | 36   | 4    | 31112162 | B.05.02.L50023_0 | 34   | 6    |
| 30000506 | E.03.02.L50020_0 | 16   | 1    | 31112147 | D.15.02.L50020_0 | 29   | 2    | 31112174 | A.01.02.L50018_0 | 16   | 1    |
| 30000614 | B.08.01.L50017_0 | 8    | 1    | 31112148 | A.02.04.L50021_0 | 13   | 4    |          | A.01.02.L50018_1 | 16   | 1    |
|          | B.08.01.L50017_1 | 8    | 1    |          | D.02.01.L50017_0 | 3    | 6    | 31112208 | B.05.02.L50023_0 | 36   | 2    |
|          | B.08.01.L50017_2 | 8    | 1    |          | D.02.01.L50017_1 | 3    | 6    | 31112210 | A.01.02.L50018_0 | 24   | 2    |
| 30000777 | F.01.02.L50018_0 | 8    | 1    | 31112149 | B.08.01.L50017_0 | 23   | 2    |          | A.01.02.L50018_1 | 24   | 2    |
| 31111090 | F.04.02.L50023_0 | 32   | 1    |          | B.08.01.L50017_1 | 23   | 2    |          | E.02.02.L50018_0 | 5    | 1    |
| 31111091 | B.02.01.L50017_0 | 14   | 2    |          | B.08.01.L50017_2 | 23   | 2    |          | F.01.02.L50018_0 | 23   | 4    |
|          | B.03.02.L50023_0 | 27   | 2    |          | L.01.01.L50017_0 | 9    | 2    |          | F.02.02.L50018_0 | 9    | 2    |
| 31111151 | B.01.02.L50018_0 | 18   | 1    | 31112150 | A.01.02.L50018_0 | 3    | 6    |          | F.03.02.L50020_0 | 2    | 1    |
|          | B.10.01.L50020_0 | 40   | 4    |          | A.01.02.L50018_1 | 3    | 6    | 31112211 | A.01.02.L50018_0 | 19   | 1    |
|          | B.12.02.L50017_0 | 10   | 4    |          | A.02.04.L50021_0 | 6    | 1    |          | A.01.02.L50018_1 | 19   | 1    |
|          | C.01.01.L50017_0 | 35   | 2    |          | A.05.01.L50017_0 | 26   | 1    |          | B.04.03.L50023_0 | 16   | 2    |
|          | F.01.02.L50018_0 | 21   | 7    |          | B.01.02.L50018_0 | 5    | 2    |          | C.01.01.L50017_0 | 6    | 2    |
|          | L.02.04.L50023_0 | 8    | 1    |          | B.02.01.L50017_0 | 8    | 2    |          | F.03.02.L50020_0 | 6    | 2    |
| 31111218 | A.05.01.L50017_0 | 14   | 2    |          | D.13.01.L50017_0 | 7    | 1    |          | L.01.01.L50017_0 | 3    | 5    |
| 31111331 | B.01.02.L50018_0 | 2    | 4    |          | F.03.02.L50020_0 | 26   | 2    |          | T.01.02.L50017_0 | 9    | 8    |
| 31112051 | A.02.04.L50021_0 | 22   | 1    |          | F.04.02.L50023_0 | 2    | 2    | 31112212 | C.01.01.L50017_0 | 7    | 7    |
| 31112060 | B.03.02.L50023_0 | 6    | 16   |          | L.01.01.L50017_0 | 25   | 2    |          | T.04.01.L50018_0 | 14   | 2    |
|          | B.05.02.L50023_0 | 6    | 14   |          | L.02.04.L50023_0 | 19   | 3    | 31112213 | C.01.01.L50017_0 | 8    | 1    |
| 31112082 | A.04.01.L50017_0 | 9    | 1    |          | T.01.02.L50017_0 | 14   | 2    | 31112219 | A.01.02.L50018_0 | 6    | 4    |
|          | B.01.02.L50018_0 | 23   | 12   | 31112151 | A.03.02.L50018_0 | 11   | 1    |          | A.01.02.L50018_1 | 6    | 4    |
|          | C.01.01.L50017_0 | 46   | 10   |          | B.01.02.L50018_0 | 8    | 1    |          | A.03.02.L50018_0 | 9    | 2    |
|          | L.01.01.L50017_0 | 14   | 2    |          | B.05.02.L50023_0 | 33   | 4    |          | B.04.03.L50023_0 | 7    | 4    |
| 31112086 | F.03.02.L50020_0 | 7    | 2    |          | B.10.01.L50020_0 | 17   | 2    |          | F.03.02.L50020_0 | 3    | 3    |
| 31112089 | B.06.01.L50023_0 | 34   | 4    |          | C.03.01.L50017_0 | 3    | 6    |          | L.01.01.L50017_0 | 2    | 1    |
| 31112090 | A.01.02.L50018_0 | 10   | 1    |          | D.15.02.L50020_0 | 24   | 1    |          | T.04.01.L50018_0 | 13   | 7    |
|          | A.01.02.L50018_1 | 10   | 1    |          | L.02.04.L50023_0 | 20   | 2    | 31112272 | B.03.02.L50023_0 | 25   | 8    |
|          | C.01.01.L50017_0 | 3    | 4    | 31112152 | A.01.02.L50018_0 | 20   | 1    |          | B.05.02.L50023_0 | 41   | 4    |
|          | F.02.02.L50018_0 | 6    | 5    |          | A.01.02.L50018_1 | 20   | 1    | 31112328 | B.01.02.L50018_0 | 26   | 2    |
|          | F.03.02.L50020_0 | 40   | 1    |          | B.03.02.L50023_0 | 22   | 4    | 31122804 | B.04.03.L50023_0 | 10   | 8    |
| 31112146 | B.10.01.L50020_0 | 14   | 2    |          | D.07.01.L50017_0 | 12   | 3    | 31132440 | B.10.01.L50020_0 | 23   | 4    |



## SPARE PARTS INSTANCE INDEX

| Code     | Parts Table      | Pos. | Q.ty | Code     | Parts Table      | Pos. | Q.ty | Code     | Parts Table      | Pos. | Q.ty |
|----------|------------------|------|------|----------|------------------|------|------|----------|------------------|------|------|
| 31132562 | A.02.04.L50021_0 | 2    | 2    | 31313300 | C.03.01.L50017_0 | 7    | 10   | 31411130 | D.15.02.L50020_0 | 16   | 2    |
| 31132566 | D.13.01.L50017_0 | 6    | 1    | 31313320 | C.03.01.L50017_0 | 8    | 6    | 31411150 | B.01.02.L50018_0 | 28   | 2    |
| 31152057 | L.02.04.L50023_0 | 3    | 2    | 31411053 | A.02.04.L50021_0 | 23   | 1    |          | D.15.02.L50020_0 | 26   | 2    |
| 31152060 | A.02.04.L50021_0 | 17   | 1    | 31411054 | B.03.02.L50023_0 | 7    | 16   | 31421083 | A.01.02.L50018_0 | 21   | 1    |
| 31152066 | B.10.01.L50020_0 | 12   | 4    |          | B.05.02.L50023_0 | 7    | 14   |          | A.01.02.L50018_1 | 21   | 1    |
| 31152068 | A.02.04.L50021_0 | 18   | 1    | 31411064 | B.03.02.L50023_0 | 10   | 2    |          | D.02.01.L50017_0 | 4    | 6    |
| 31152083 | F.01.02.L50018_0 | 2    | 4    |          | B.05.02.L50023_0 | 10   | 2    |          | D.02.01.L50017_1 | 4    | 6    |
|          | F.02.02.L50018_0 | 2    | 4    |          | F.03.02.L50020_0 | 42   | 1    | 31510053 | B.08.01.L50017_0 | 6    | 6    |
| 31152084 | L.02.04.L50023_0 | 23   | 2    | 31411066 | B.04.03.L50023_0 | 26   | 4    |          | B.08.01.L50017_1 | 6    | 6    |
| 31152085 | D.11.01.L50017_0 | 2    | 2    |          | B.05.02.L50023_0 | 14   | 8    |          | B.08.01.L50017_2 | 6    | 6    |
| 31152088 | B.02.01.L50017_0 | 11   | 2    | 31411084 | B.01.02.L50018_0 | 6    | 3    | 34110029 | T.01.02.L50017_0 | 11,4 | 2    |
| 31200501 | A.04.01.L50017_0 | 5    | 1    |          | B.02.01.L50017_0 | 4    | 3    | 34211054 | D.13.01.L50017_0 | 4    | 2    |
|          | A.04.02.L50017_0 | 5    | 1    |          | B.03.02.L50023_0 | 19   | 4    | 34213018 | B.10.01.L50020_0 | 46   | 1    |
| 31211050 | A.02.04.L50021_0 | 25   | 1    |          | B.05.02.L50023_0 | 26   | 14   | 34321066 | D.15.02.L50020_0 | 8    | 2    |
| 31211060 | B.05.02.L50023_0 | 16   | 8    |          | B.08.01.L50017_0 | 17   | 4    | 35111047 | D.12.01.L50017_0 | 4    | 1    |
| 31211080 | D.12.01.L50017_1 | 60   | 6    |          | B.08.01.L50017_0 | 24   | 2    |          | D.12.01.L50017_1 | 4    | 1    |
|          | L.02.04.L50023_0 | 21   | 1    |          | B.08.01.L50017_1 | 17   | 4    | 35111052 | D.05.01.L50017_0 | 10   | 1    |
| 31211100 | L.02.04.L50023_0 | 12   | 3    |          | B.08.01.L50017_1 | 24   | 2    | 35111062 | D.09.01.L50017_0 | 2    | 2    |
| 31212060 | A.01.02.L50018_0 | 12   | 1    |          | B.08.01.L50017_2 | 17   | 4    | 35111080 | D.02.01.L50017_0 | 13   | 2    |
|          | A.01.02.L50018_1 | 12   | 1    |          | B.10.01.L50020_0 | 7    | 4    |          | D.02.01.L50017_1 | 13   | 4    |
|          | B.02.01.L50017_0 | 16   | 2    |          | D.03.01.L50017_0 | 30   | 1    | 35121014 | D.08.01.L50017_0 | 1    | 0    |
|          | F.02.02.L50018_0 | 8    | 5    |          | F.03.02.L50020_0 | 28   | 2    | 35121030 | D.02.01.L50017_0 | 6    | 2    |
| 31212100 | B.05.02.L50023_0 | 38   | 2    | 31411090 | A.01.02.L50018_0 | 22   | 1    |          | D.02.01.L50017_1 | 6    | 2    |
| 31231080 | A.02.04.L50021_0 | 20   | 3    |          | A.01.02.L50018_1 | 22   | 1    | 35121040 | D.04.01.L50017_0 | 11   | 2    |
|          | B.01.02.L50018_0 | 15   | 1    |          | B.01.02.L50018_0 | 10   | 1    |          | D.12.01.L50017_0 | 9    | 1    |
| 31241051 | B.03.02.L50023_0 | 8    | 20   |          | B.04.03.L50023_0 | 14   | 8    |          | D.12.01.L50017_1 | 8    | 1    |
|          | B.05.02.L50023_0 | 8    | 18   | 31411105 | A.01.02.L50018_0 | 7    | 2    | 35211060 | B.02.01.L50017_0 | 19   | 1    |
| 31241080 | B.01.02.L50018_0 | 11   | 1    |          | A.01.02.L50018_1 | 7    | 2    |          | B.06.01.L50023_0 | 11   | 4    |
| 31241100 | T.04.01.L50018_0 | 4    | 2    |          | B.05.02.L50023_0 | 37   | 2    | 37111254 | D.09.01.L50017_0 | 3    | 1    |
| 31241142 | C.01.01.L50017_0 | 41   | 2    |          | D.03.01.L50017_0 | 26   | 1    | 37111255 | D.05.01.L50017_0 | 9    | 1    |
| 31241160 | T.01.02.L50017_0 | 11,2 | 1    |          | D.03.01.L50017_0 | 49   | 1    | 37111354 | D.02.01.L50017_0 | 14   | 1    |
| 31311062 | B.05.02.L50023_0 | 30   | 8    |          | D.15.02.L50020_0 | 23   | 3    |          | D.02.01.L50017_1 | 14   | 1    |
| 31312089 | D.12.01.L50017_0 | 55   | 4    |          | T.04.01.L50018_0 | 5    | 2    | 37111404 | D.12.01.L50017_0 | 27   | 1    |
|          | D.12.01.L50017_1 | 59   | 4    | 31411130 | D.14.01.L50017_0 | 9    | 2    | 38104412 | D.02.01.L50017_0 | 24   | 1    |



## SPARE PARTS INSTANCE INDEX

| Code     | Parts Table      | Pos. | Q.ty | Code     | Parts Table      | Pos.   | Q.ty | Code     | Parts Table      | Pos.  | Q.ty |
|----------|------------------|------|------|----------|------------------|--------|------|----------|------------------|-------|------|
| 38104412 | D.02.01.L50017_1 | 23   | 1    | 51270771 | D.07.01.L50017_0 | 32     | 1    | 52470087 | D.10.01.L50017_0 | 11    | 3    |
| 38111078 | D.13.01.L50017_0 | 16   | 2    | 51273893 | D.07.01.L50017_0 | 31     | 1    | 52470105 | D.09.01.L50017_0 | 16    | 1    |
| 38112200 | D.13.01.L50017_0 | 3    | 1    | 51274080 | D.13.01.L50017_0 | 13     | 1    | 52470106 | D.09.01.L50017_0 | 15    | 1    |
|          | F.01.02.L50018_0 | 6    | 2    | 51274388 | B.10.01.L50020_0 | 26     | 1    | 52470298 | D.12.01.L50017_0 | 8     | 1    |
| 38112507 | D.02.01.L50017_0 | 8    | 1    | 51274498 | B.10.01.L50020_0 | 27     | 1    |          | D.12.01.L50017_1 | 7     | 1    |
|          | D.02.01.L50017_1 | 8    | 1    | 51371035 | D.01.01.L50017_0 | 22     | 1    | 52470762 | D.04.01.L50017_0 | 18    | 1    |
|          | F.01.02.L50018_0 | 30   | 1    |          | D.09.01.L50017_0 | 11     | 1    | 52473655 | D.02.01.L50017_0 | 34    | 1    |
| 38114070 | D.08.01.L50017_0 | 8    | 0    | 52071702 | L.01.01.L50017_0 | 13     | 1    |          | D.02.01.L50017_1 | 33    | 1    |
| 38116317 | D.12.01.L50017_0 | 49   | 1    | 52074435 | D.08.01.L50017_0 | 15     | 0    | 52473656 | D.04.01.L50017_0 | 24    | 1    |
|          | D.12.01.L50017_1 | 53   | 1    | 52272112 | D.07.01.L50017_0 | 28     | 1    | 52473658 | D.02.01.L50017_0 | 10    | 1    |
| 38118720 | D.12.01.L50017_0 | 50   | 1    | 52273364 | D.07.01.L50017_0 | 29     | 1    |          | D.02.01.L50017_1 | 10    | 1    |
|          | D.12.01.L50017_1 | 54   | 1    | 52274299 | D.07.01.L50017_0 | 26     | 1    | 52473827 | D.05.01.L50017_0 | 8     | 1    |
| 41S50000 | A.01.02.L50018_0 | 1    | 1    | 52370072 | D.10.01.L50017_0 | 6      | 1    | 52473828 | D.05.01.L50017_0 | 3     | 1    |
| 41S50001 | A.01.02.L50018_1 | 1    | 1    | 52370075 | D.10.01.L50017_0 | 5      | 1    | 52473829 | D.05.01.L50017_0 | 5     | 1    |
| 50970418 | D.15.02.L50020_0 | 33   | 2    | 52370083 | C.01.01.L50017_0 | 24     | 2    | 52473830 | D.05.01.L50017_0 | 6     | 1    |
| 51170020 | C.03.01.L50017_0 | 6    | 2    | 52370152 | D.13.01.L50017_0 | 2      | 1    | 52473831 | D.05.01.L50017_0 | 7     | 1    |
| 51170540 | W.02.01.L50023_0 | 14   | 1    | 52372292 | D.12.01.L50017_0 | 35     | 1    | 52473838 | D.04.01.L50017_0 | 5     | 1    |
|          | W.02.02.L50023_0 | 11   | 1    |          | D.12.01.L50017_1 | 37     | 1    | 52473839 | D.04.01.L50017_0 | 9     | 1    |
| 51172005 | D.10.01.L50017_0 | 3    | 1    | 52373177 | D.15.02.L50020_0 | 13     | 2    | 52473873 | D.12.01.L50017_0 | 3     | 1    |
| 51173650 | C.03.01.L50017_0 | 2    | 1    | 52374189 | D.07.01.L50017_0 | 02-feb | 2    | 52473874 | D.12.01.L50017_0 | 13    | 1    |
| 51173803 | C.03.01.L50017_0 | 11   | 1    | 52374297 | D.07.01.L50017_0 | 27     | 2    | 52473875 | D.12.01.L50017_0 | 19    | 1    |
| 51173804 | C.03.01.L50017_0 | 10   | 1    | 52374298 | D.07.01.L50017_0 | 30     | 1    | 52473876 | D.12.01.L50017_0 | 23    | 1    |
| 51173821 | C.03.01.L50017_0 | 1    | 1    | 52374386 | D.07.01.L50017_0 | 03-feb | 1    | 52473881 | D.12.01.L50017_0 | 41    | 1    |
| 51174315 | L.01.01.L50017_0 | 1    | 1    | 52374641 | D.11.01.L50017_0 | 1      | 1    | 52473885 | D.12.01.L50017_0 | 40    | 1    |
| 51174394 | D.07.01.L50017_0 | 9    | 1    | 52374703 | C.01.01.L50017_0 | 20     | 1    | 52473894 | D.12.01.L50017_0 | 42    | 1    |
| 51174448 | C.01.01.L50017_0 | 1    | 1    | 52374704 | C.01.01.L50017_0 | 19     | 1    | 52474254 | D.04.01.L50017_0 | 17    | 1    |
| 51174467 | C.01.01.L50017_0 | 2    | 1    | 52375215 | D.15.02.L50020_0 | 17     | 1    | 52475059 | D.12.01.L50017_0 | 18    | 1    |
| 51175212 | B.10.01.L50020_0 | 25   | 1    | 52470061 | D.09.01.L50017_0 | 7      | 1    | 52475060 | D.12.01.L50017_0 | 16    | 1    |
| 51175800 | B.01.02.L50018_0 | 1    | 1    | 52470062 | D.09.01.L50017_0 | 6      | 1    | 52475073 | D.04.01.L50017_0 | 20    | 1    |
| 51270090 | C.01.01.L50017_0 | 18   | 2    | 52470063 | D.01.01.L50017_0 | 18     | 1    | 52475551 | D.12.01.L50017_1 | 45    | 1    |
| 51270096 | C.01.01.L50017_0 | 16   | 1    | 52470064 | D.01.01.L50017_0 | 17     | 1    | 52475552 | D.12.01.L50017_1 | 43/01 | 1    |
| 51270103 | C.01.01.L50017_0 | 15   | 1    | 52470067 | D.01.01.L50017_0 | 21     | 2    | 52475554 | D.12.01.L50017_1 | 23    | 1    |
| 51270174 | D.11.01.L50017_0 | 8    | 1    |          | D.09.01.L50017_0 | 8      | 2    | 52475562 | D.12.01.L50017_1 | 31    | 1    |
| 51270203 | D.11.01.L50017_0 | 13   | 1    | 52470086 | D.01.01.L50017_0 | 28     | 2    | 52475565 | D.12.01.L50017_1 | 42    | 1    |



## SPARE PARTS INSTANCE INDEX

| Code     | Parts Table      | Pos.   | Q.ty | Code     | Parts Table      | Pos. | Q.ty | Code     | Parts Table      | Pos.   | Q.ty |
|----------|------------------|--------|------|----------|------------------|------|------|----------|------------------|--------|------|
| 52476062 | D.12.01.L50017_1 | 16     | 1    | 55274441 | B.08.01.L50017_1 | 4    | 1    | 56170367 | D.15.02.L50020_0 | 9      | 2    |
| 52476063 | D.12.01.L50017_1 | 21-gen | 1    |          | B.08.01.L50017_2 | 4    | 1    | 56170392 | T.01.02.L50017_0 | 3      | 2    |
| 52476067 | D.12.01.L50017_1 | 19     | 1    | 56071681 | B.06.01.L50023_0 | 10   | 2    | 56170413 | F.04.02.L50023_0 | 25     | 1    |
| 52476068 | D.12.01.L50017_1 | 15     | 1    | 56071768 | A.02.04.L50021_0 | 12   | 4    | 56170447 | D.13.01.L50017_0 | 11     | 1    |
| 52476868 | D.12.01.L50017_1 | 3      | 1    | 56073059 | T.01.02.L50017_0 | 13,3 | 1    | 56170704 | T.03.01.L50003_0 | 6      | 1    |
| 52573648 | D.02.01.L50017_0 | 20     | 1    | 56074302 | D.03.01.L50017_0 | 28   | 1    |          | T.03.02.L50003_0 | 4      | 1    |
|          | D.02.01.L50017_1 | 19     | 1    | 56074313 | D.12.01.L50017_0 | 60   | 1    | 56170705 | T.03.01.L50003_0 | 7      | 1    |
| 53273025 | D.02.01.L50017_0 | 25     | 1    |          | D.12.01.L50017_1 | 64   | 1    |          | T.03.02.L50003_0 | 5      | 1    |
|          | D.02.01.L50017_1 | 24     | 1    | 56074712 | C.01.01.L50017_0 | 40   | 2    | 56170779 | L.02.04.L50023_0 | 25     | 1    |
| 53273886 | D.12.01.L50017_0 | 30     | 1    | 56075120 | A.01.02.L50018_0 | 26   | 1    | 56170795 | D.15.02.L50020_0 | 11     | 1    |
|          | D.12.01.L50017_1 | 32     | 1    |          | A.01.02.L50018_1 | 26   | 1    | 56170796 | D.15.02.L50020_0 | 12     | 1    |
| 53273891 | D.12.01.L50017_0 | 51     | 1    | 56075230 | D.03.01.L50017_0 | 46   | 1    | 56170964 | L.02.04.L50023_0 | 13     | 3    |
|          | D.12.01.L50017_1 | 55     | 1    | 56075237 | T.04.01.L50018_0 | 6    | 1    | 56171106 | B.06.01.L50023_0 | 9      | 2    |
| 55072935 | B.05.02.L50023_0 | 13     | 4    | 56075238 | T.04.01.L50018_0 | 2    | 1    | 56171172 | C.01.01.L50017_0 | 38     | 2    |
| 55170047 | D.14.01.L50017_0 | 7      | 2    | 56076074 | D.12.01.L50017_1 | 18   | 1    | 56171223 | B.12.02.L50017_0 | 13     | 1    |
| 55170053 | D.07.01.L50017_0 | 6      | 3    | 56170017 | D.07.01.L50017_0 | 16   | 1    | 56171572 | D.12.01.L50017_0 | 1      | 1    |
| 55172355 | A.04.01.L50017_0 | 7      | 1    | 56170029 | D.03.01.L50017_0 | 15   | 1    |          | D.12.01.L50017_1 | 1      | 1    |
| 55174162 | B.10.01.L50020_0 | 32     | 1    | 56170043 | D.14.01.L50017_0 | 8    | 2    | 56171877 | A.02.04.L50021_0 | 3      | 1    |
| 55174163 | B.10.01.L50020_0 | 31     | 2    | 56170074 | D.10.01.L50017_0 | 9    | 1    | 56171883 | A.02.04.L50021_0 | 4      | 1    |
| 55174632 | A.03.02.L50018_0 | 17     | 1    | 56170082 | C.01.01.L50017_0 | 26   |      | 56171936 | D.15.02.L50020_0 | 21     | 1    |
| 55174633 | A.03.02.L50018_0 | 18     | 1    | 56170213 | D.01.01.L50017_0 | 9    | 1    | 56171954 | B.04.03.L50023_0 | 17     | 2    |
| 55174760 | A.04.01.L50017_0 | 15     | 1    | 56170214 | D.01.01.L50017_0 | 7    | 1    | 56171996 | B.04.03.L50023_0 | 12     | 8    |
|          | A.04.02.L50017_0 | 10     | 1    | 56170221 | C.01.01.L50017_0 | 26   |      | 56172072 | F.04.02.L50023_0 | 15     | 1    |
| 55174761 | A.04.01.L50017_0 | 17     | 1    | 56170222 | C.01.01.L50017_0 | 26   |      | 56172172 | B.12.01.L50017_0 | 06-feb | 1    |
|          | A.04.02.L50017_0 | 12     | 1    | 56170223 | C.01.01.L50017_0 | 26   |      | 56172538 | C.01.01.L50017_0 | 45     | 1    |
| 55175174 | B.04.03.L50023_0 | 13     | 10   | 56170226 | C.01.01.L50017_0 | 37   | 2    | 56172547 | F.02.02.L50018_0 | 12     | 1    |
| 55271644 | B.08.01.L50017_0 | 05-feb | 1    | 56170275 | A.05.01.L50017_0 | 9    | 3    | 56172749 | F.04.02.L50023_0 | 4      | 1    |
|          | B.08.01.L50017_1 | 05-feb | 1    | 56170276 | A.05.01.L50017_0 | 16   | 2    | 56172950 | A.05.01.L50017_0 | 20     | 1    |
|          | B.08.01.L50017_2 | 5,2    | 1    | 56170283 | L.01.01.L50017_0 | 27   | 2    | 56173353 | C.01.01.L50017_0 | 26     |      |
| 55271852 | B.08.01.L50017_0 | 05-gen | 1    | 56170285 | L.01.01.L50017_0 | 29   | 2    | 56173638 | L.01.01.L50017_0 | 8      | 1    |
|          | B.08.01.L50017_1 | 05-gen | 1    | 56170286 | L.01.01.L50017_0 | 28   | 2    | 56173684 | D.03.01.L50017_0 | 23     | 1    |
|          | B.08.01.L50017_2 | 5,1    | 1    | 56170350 | F.01.02.L50018_0 | 15   | 3    | 56174108 | D.12.01.L50017_0 | 5      | 1    |
| 55274314 | A.05.01.L50017_0 | 1      | 1    | 56170351 | F.01.02.L50018_0 | 19   | 1    |          | D.12.01.L50017_1 | 5      | 1    |
| 55274441 | B.08.01.L50017_0 | 4      | 1    | 56170364 | C.02.01.L50017_0 | 9    | 2    | 56174135 | B.03.02.L50023_0 | 14     | 2    |





## SPARE PARTS INSTANCE INDEX

| Code     | Parts Table      | Pos. | Q.ty | Code     | Parts Table      | Pos. | Q.ty | Code     | Parts Table      | Pos. | Q.ty |
|----------|------------------|------|------|----------|------------------|------|------|----------|------------------|------|------|
| 56174202 | L.02.04.L50023_0 | 18   | 1    | 56174654 | B.02.01.L50017_0 | 7    | 1    | 56175177 | B.05.02.L50023_0 | 4    | 10   |
| 56174337 | B.05.02.L50023_0 | 12   | 2    | 56174656 | B.02.01.L50017_0 | 12   | 1    | 56175189 | A.01.02.L50018_0 | 5    | 1    |
| 56174400 | D.03.01.L50017_0 | 47   | 1    | 56174657 | B.01.02.L50018_0 | 4    | 1    |          | A.01.02.L50018_1 | 5    | 1    |
| 56174401 | D.03.01.L50017_0 | 48   | 1    | 56174658 | B.01.02.L50018_0 | 7    | 1    | 56175206 | B.12.01.L50017_0 | 15   | 1    |
| 56174431 | D.13.01.L50017_0 | 10   | 1    | 56174659 | B.01.02.L50018_0 | 9    | 1    | 56175294 | F.02.02.L50018_0 | 18   | 1    |
| 56174461 | B.10.01.L50020_0 | 41   | 1    | 56174660 | A.02.04.L50021_0 | 21   | 1    | 56175346 | B.06.01.L50023_0 | 20   | 1    |
| 56174462 | B.10.01.L50020_0 | 36   | 1    | 56174661 | A.02.04.L50021_0 | 16   | 1    | 56175364 | B.02.01.L50017_0 | 1,8  | 1    |
| 56174463 | B.10.01.L50020_0 | 44   | 1    | 56174665 | F.04.02.L50023_0 | 1    | 1    | 56175365 | B.02.01.L50017_0 | 1,6  | 1    |
| 56174464 | B.10.01.L50020_0 | 10   | 1    | 56174691 | B.01.02.L50018_0 | 17   | 1    | 56175388 | L.02.04.L50023_0 | 22   | 1    |
| 56174480 | F.03.02.L50020_0 | 10   | 1    | 56174725 | F.01.02.L50018_0 | 20   | 2    | 56175670 | D.02.01.L50017_0 | 15   | 1    |
| 56174481 | F.03.02.L50020_0 | 9    | 1    | 56174728 | A.01.02.L50018_0 | 18   | 1    | 56175682 | B.03.02.L50023_0 | 5    | 4    |
| 56174485 | F.03.02.L50020_0 | 30   | 1    |          | A.01.02.L50018_1 | 18   | 1    |          | B.05.02.L50023_0 | 5    | 4    |
| 56174486 | B.10.01.L50020_0 | 13   | 1    | 56174730 | B.10.01.L50020_0 | 16   | 1    | 56175799 | B.01.02.L50018_0 | 22   | 1    |
| 56174492 | B.10.01.L50020_0 | 2    | 2    | 56174773 | B.10.01.L50020_0 | 11   | 1    | 56274487 | B.10.01.L50020_0 | 34   | 2    |
| 56174494 | F.03.02.L50020_0 | 46   | 1    | 56174835 | B.02.01.L50017_0 | 18   | 1    | 56276371 | C.02.01.L50017_0 | 1,2  | 1    |
| 56174499 | B.10.01.L50020_0 | 19   | 1    | 56174873 | B.01.02.L50018_0 | 25   | 1    | 56276372 | C.02.01.L50017_0 | 1,1  | 1    |
| 56174569 | B.02.01.L50017_0 | 1,1  | 1    | 56174919 | C.01.01.L50017_0 | 43   | 1    | 56370018 | D.07.01.L50017_0 | 10   | 6    |
| 56174618 | A.05.01.L50017_0 | 25   | 1    | 56174920 | C.01.01.L50017_0 | 44   | 1    | 56370037 | D.02.01.L50017_0 | 32   | 1    |
| 56174619 | A.05.01.L50017_0 | 5    | 1    | 56174934 | B.06.01.L50023_0 | 26   | 1    |          | D.02.01.L50017_1 | 31   | 1    |
| 56174620 | A.05.01.L50017_0 | 6    | 2    | 56174937 | B.06.01.L50023_0 | 27   | 1    | 56370038 | D.14.01.L50017_0 | 4    | 2    |
| 56174621 | A.05.01.L50017_0 | 7    | 1    | 56174940 | B.06.01.L50023_0 | 28   | 1    | 56370076 | D.10.01.L50017_0 | 10   | 6    |
| 56174622 | A.05.01.L50017_0 | 8    | 2    | 56174943 | B.06.01.L50023_0 | 30   | 1    | 56370079 | D.10.01.L50017_0 | 7    | 1    |
| 56174629 | A.03.02.L50018_0 | 4    | 1    | 56174946 | B.06.01.L50023_0 | 29   | 1    | 56370081 | C.01.01.L50017_0 | 4    | 2    |
| 56174631 | A.03.02.L50018_0 | 10   | 1    | 56174949 | B.06.01.L50023_0 | 24   | 1    |          | D.10.01.L50017_0 | 15   | 1    |
| 56174635 | A.04.01.L50017_0 | 3    | 1    | 56174957 | B.06.01.L50023_0 | 21   | 4    | 56370089 | D.01.01.L50017_0 | 16   |      |
|          | A.04.02.L50017_0 | 3    | 1    | 56174963 | B.04.03.L50023_0 | 9    | 2    |          | D.09.01.L50017_0 | 14   |      |
| 56174636 | A.04.01.L50017_0 | 2    | 1    | 56174976 | A.04.02.L50017_0 | 8    | 1    | 56370127 | D.01.01.L50017_0 | 16   |      |
|          | A.04.02.L50017_0 | 2    | 1    | 56174987 | F.02.02.L50018_0 | 4    | 1    |          | D.09.01.L50017_0 | 14   |      |
| 56174637 | A.04.01.L50017_0 | 12   | 1    | 56174988 | F.02.02.L50018_0 | 5    | 1    | 56370128 | D.01.01.L50017_0 | 16   |      |
| 56174647 | B.02.01.L50017_0 | 1,3  | 1    | 56175048 | B.06.01.L50023_0 | 19   | 2    |          | D.09.01.L50017_0 | 14   |      |
| 56174648 | B.02.01.L50017_0 | 1,4  | 1    | 56175076 | F.04.02.L50023_0 | 29   | 1    | 56370154 | D.07.01.L50017_0 | 25   | 1    |
| 56174649 | B.02.01.L50017_0 | 1,2  | 1    | 56175157 | L.02.04.L50023_0 | 14   | 1    | 56370165 | D.07.01.L50017_0 | 23   | 1    |
| 56174650 | B.02.01.L50017_0 | 1,5  | 1    | 56175158 | B.01.02.L50018_0 | 21   | 1    | 56370172 | D.07.01.L50017_0 | 19   | 3    |
| 56174651 | B.02.01.L50017_0 | 1,7  | 1    | 56175177 | B.03.02.L50023_0 | 4    | 12   | 56370177 | D.07.01.L50017_0 | 22   | 1    |

## SPARE PARTS INSTANCE INDEX

| Code     | Parts Table      | Pos. | Q.ty | Code     | Parts Table      | Pos. | Q.ty | Code     | Parts Table      | Pos. | Q.ty |
|----------|------------------|------|------|----------|------------------|------|------|----------|------------------|------|------|
| 56370178 | D.12.01.L50017_0 | 6    | 1    | 56372282 | D.12.01.L50017_1 | 40   | 1    | 56475398 | D.12.01.L50017_0 | 47   | 1    |
|          | D.12.01.L50017_1 | 6    | 1    | 56372536 | D.01.01.L50017_0 | 4    | 1    |          | D.12.01.L50017_1 | 51   | 1    |
|          | D.13.01.L50017_0 | 14   | 1    | 56373194 | D.03.01.L50017_0 | 33   | 1    | 56475416 | D.12.01.L50017_0 | 47   | 1    |
| 56370186 | D.07.01.L50017_0 | 14   | 5    | 56373213 | D.07.01.L50017_0 | 24   | 1    |          | D.12.01.L50017_1 | 51   | 1    |
| 56370187 | D.11.01.L50017_0 | 5    | 1    | 56373800 | C.03.01.L50017_0 | 12   | 2    | 56475417 | D.12.01.L50017_0 | 47   | 1    |
| 56370204 | D.11.01.L50017_0 | 7    | 1    | 56374076 | D.13.01.L50017_0 | 15   | 1    |          | D.12.01.L50017_1 | 51   | 1    |
| 56370209 | D.01.01.L50017_0 | 12   |      | 56374430 | D.13.01.L50017_0 | 5    | 1    | 56475516 | D.12.01.L50017_0 | 45   | 1    |
| 56370210 | D.01.01.L50017_0 | 12   |      | 56374460 | B.10.01.L50020_0 | 45   | 1    |          | D.12.01.L50017_1 | 49   | 1    |
| 56370211 | D.01.01.L50017_0 | 12   |      | 56374711 | C.01.01.L50017_0 | 39   | 2    | 56475517 | D.12.01.L50017_0 | 47   | 1    |
| 56370212 | D.01.01.L50017_0 | 12   |      | 56375008 | T.03.02.L50003_0 | 2    | 2    |          | D.12.01.L50017_1 | 51   | 1    |
| 56370217 | C.01.01.L50017_0 | 29   | 4    | 56375436 | B.10.01.L50020_0 | 35   | 1    | 56475518 | D.12.01.L50017_0 | 47   | 1    |
| 56370228 | C.01.01.L50017_0 | 21   | 4    | 56470002 | D.02.01.L50017_0 | 18   | 1    | 56475568 | D.12.01.L50017_1 | 22   | 1    |
| 56370267 | D.02.01.L50017_0 | 27   | 1    |          | D.02.01.L50017_1 | 17   | 1    | 56475757 | D.12.01.L50017_0 | 47   | 1    |
|          | D.02.01.L50017_1 | 26   | 1    | 56470110 | D.04.01.L50017_0 | 3    | 1    |          | D.12.01.L50017_1 | 51   | 1    |
| 56370282 | L.01.01.L50017_0 | 22   | 4    | 56470111 | D.04.01.L50017_0 | 14   | 1    | 56475839 | D.08.01.L50017_0 | 5    | 0    |
| 56370287 | L.01.01.L50017_0 | 24   | 2    | 56470139 | D.04.01.L50017_0 | 10   | 1    | 56475844 | D.12.01.L50017_0 | 48   | 1    |
| 56370288 | L.01.01.L50017_0 | 17   | 2    | 56470215 | D.01.01.L50017_0 | 5    | 1    |          | D.12.01.L50017_1 | 52   | 1    |
| 56370486 | C.01.01.L50017_0 | 32   | 1    | 56470216 | D.01.01.L50017_0 | 27   | 2    | 56570016 | C.02.01.L50017_0 | 1,3  | 2    |
| 56370539 | W.02.01.L50023_0 | 13   | 4    | 56470231 | D.14.01.L50017_0 | 5    | 2    |          | D.07.01.L50017_0 | 17   | 1    |
|          | W.02.02.L50023_0 | 10   | 4    | 56470299 | D.13.01.L50017_0 | 1    | 1    |          | L.01.01.L50017_0 | 5    | 2    |
| 56370582 | D.11.01.L50017_0 | 12   | 1    | 56470365 | D.15.02.L50020_0 | 22   | 3    | 56570125 | D.07.01.L50017_0 | 38   | 2    |
| 56370583 | D.11.01.L50017_0 | 11   | 1    | 56470797 | D.15.02.L50020_0 | 14   | 2    | 56570284 | L.01.01.L50017_0 | 15   | 1    |
| 56370696 | T.03.01.L50003_0 | 4    | 2    | 56470987 | D.12.01.L50017_0 | 26   | 1    | 56573662 | D.02.01.L50017_0 | 5    | 1    |
| 56370830 | D.09.01.L50017_0 | 14   |      |          | D.12.01.L50017_1 | 29   | 1    |          | D.02.01.L50017_1 | 5    | 1    |
| 56371037 | D.01.01.L50017_0 | 20   | 2    | 56471036 | D.01.01.L50017_0 | 19   | 1    | 56574008 | T.01.02.L50017_0 | 1    | 1    |
|          | D.09.01.L50017_0 | 9    | 2    |          | D.09.01.L50017_0 | 10   | 1    | 57174915 | A.05.01.L50017_0 | 1,3  | 1    |
| 56371065 | D.07.01.L50017_0 | 21   | 1    | 56473818 | D.04.01.L50017_0 | 6    | 1    | 57275049 | B.04.03.L50023_0 | 19   | 1    |
| 56371101 | T.01.02.L50017_0 | 12,8 | 1    | 56473880 | D.12.01.L50017_0 | 21   | 1    | 57275050 | B.04.03.L50023_0 | 18   | 1    |
|          | T.01.02.L50017_0 | 4,4  | 1    | 56473890 | D.12.01.L50017_0 | 47   | 1    | 57371049 | D.02.01.L50017_0 | 7    | 1    |
|          | T.01.02.L50017_0 | 5,4  | 1    |          | D.12.01.L50017_1 | 51   | 1    |          | D.02.01.L50017_1 | 7    | 1    |
| 56371162 | D.02.01.L50017_0 | 17   | 1    | 56474013 | C.02.01.L50017_0 | 7    | 1    | 57371900 | A.05.01.L50017_0 | 2    | 1    |
|          | D.02.01.L50017_1 | 16   | 1    | 56474713 | D.12.01.L50017_0 | 47   | 1    | 57372341 | A.04.01.L50017_0 | 13   | 1    |
| 56371721 | D.15.02.L50020_0 | 18   | 1    |          | D.12.01.L50017_1 | 51   | 1    | 57374490 | B.10.01.L50020_0 | 4    | 2    |
| 56372282 | D.12.01.L50017_0 | 38   | 1    | 56474714 | D.12.01.L50017_0 | 47   | 1    | 57374491 | B.10.01.L50020_0 | 5    | 1    |



## SPARE PARTS INSTANCE INDEX

| Code     | Parts Table      | Pos.   | Q.ty | Code     | Parts Table      | Pos. | Q.ty | Code     | Parts Table      | Pos. | Q.ty |
|----------|------------------|--------|------|----------|------------------|------|------|----------|------------------|------|------|
| 57374501 | B.10.01.L50020_0 | 29     | 1    | 58070484 | T.01.02.L50017_0 | 11,5 | 1    | 58072081 | E.02.02.L50018_0 | 4    | 1    |
| 57374533 | B.04.03.L50023_0 | 22     | 1    | 58070519 | L.02.04.L50023_0 | 42   | 1    | 58072107 | D.08.01.L50017_0 | 3    | 0    |
| 57374536 | B.04.03.L50023_0 | 23     | 1    | 58070558 | T.01.02.L50017_0 | 11,6 | 1    | 58072389 | D.12.01.L50017_0 | 36   | 1    |
| 57374545 | B.10.01.L50020_0 | 24     | 2    | 58070559 | T.01.02.L50017_0 | 11,7 | 1    |          | D.12.01.L50017_1 | 38   | 1    |
| 57374553 | B.08.01.L50017_0 | 21     | 1    | 58070560 | T.01.02.L50017_0 | 11,9 | 1    | 58072398 | D.12.01.L50017_0 | 43   | 4    |
|          | B.08.01.L50017_1 | 21     | 1    | 58070690 | A.05.01.L50017_0 | 17   | 1    |          | D.12.01.L50017_1 | 46   | 4    |
|          | B.08.01.L50017_2 | 21     | 1    | 58070741 | D.07.01.L50017_0 | 36   | 5    | 58072399 | D.12.01.L50017_0 | 39   | 1    |
| 57374554 | B.02.01.L50017_0 | 17-gen | 1    |          | D.13.01.L50017_0 | 18   | 1    |          | D.12.01.L50017_1 | 41   | 1    |
| 57374686 | B.10.01.L50020_0 | 3      | 1    | 58070743 | C.02.01.L50017_0 | 1,4  | 5    | 58072509 | B.07.02.L50023_0 | 27   | 1    |
| 57374926 | B.03.02.L50023_0 | 12     | 1    | 58070790 | D.03.01.L50017_0 | 20   | 2    | 58072510 | B.07.02.L50023_0 | 30   | 1    |
|          | B.05.02.L50023_0 | 19     | 1    |          | D.03.01.L50017_0 | 38   | 1    | 58072511 | B.07.02.L50023_0 | 29   | 1    |
| 57374927 | B.03.02.L50023_0 | 13     | 1    |          | D.15.02.L50020_0 | 6    | 4    | 58072517 | B.07.02.L50023_0 | 28   | 1    |
|          | B.05.02.L50023_0 | 18     | 1    | 58070848 | T.01.02.L50017_0 | 13   | 1    | 58072568 | E.03.02.L50020_0 | 10   | 1    |
| 57374952 | B.06.01.L50023_0 | 25     | 2    | 58070857 | B.06.01.L50023_0 | 16   | 1    | 58072575 | B.07.02.L50023_0 | 22   | 1    |
| 57374954 | B.06.01.L50023_0 | 22     | 1    | 58071104 | B.06.01.L50023_0 | 8    | 1    | 58072737 | B.07.02.L50023_0 | 25   | 1    |
| 57374977 | B.02.01.L50017_0 | 17-feb | 1    | 58071188 | T.01.02.L50017_0 | 4,3  | 1    | 58073147 | L.02.04.L50023_0 | 6/02 | 1    |
| 57375047 | B.06.01.L50023_0 | 18     | 1    | 58071189 | T.01.02.L50017_0 | 5,3  | 1    | 58073645 | B.07.02.L50023_0 | 9    | 1    |
| 57375057 | B.04.03.L50023_0 | 3      | 1    | 58071196 | T.01.02.L50017_0 | 11   | 2    | 58074092 | D.12.01.L50017_0 | 37   | 1    |
| 57375058 | B.04.03.L50023_0 | 4      | 1    | 58071305 | E.03.02.L50020_0 | 11   | 1    |          | D.12.01.L50017_1 | 39   | 1    |
| 58048002 | A.02.04.L50021_0 | 26     | 3    | 58071307 | E.01.01.L50017_0 | 4    | 1    | 58074220 | B.07.02.L50023_0 | 13   | 1    |
|          | B.01.02.L50018_0 | 12     | 1    | 58071308 | E.01.01.L50017_0 | 5    | 1    | 58074221 | B.07.02.L50023_0 | 12   | 1    |
| 58070071 | D.10.01.L50017_0 | 4      | 1    | 58071313 | E.02.02.L50018_0 | 3    | 1    | 58074222 | B.07.02.L50023_0 | 14   | 1    |
| 58070164 | D.07.01.L50017_0 | 18     | 3    | 58071755 | T.01.02.L50017_0 | 12,1 | 2    | 58074488 | B.10.01.L50020_0 | 37   | 1    |
| 58070168 | D.07.01.L50017_0 | 20     | 3    | 58071758 | T.01.02.L50017_0 | 12,7 | 1    | 58074558 | D.03.01.L50017_0 | 10   | 2    |
| 58070169 | D.07.01.L50017_0 | 8      | 3    | 58071864 | T.01.02.L50017_0 | 4,1  | 1    | 58074733 | F.03.02.L50020_0 | 33   | 2    |
| 58070198 | D.11.01.L50017_0 | 10     | 1    |          | T.01.02.L50017_0 | 5,1  | 1    | 58074734 | F.03.02.L50020_0 | 32   | 2    |
| 58070205 | D.11.01.L50017_0 | 15     | 1    | 58071872 | T.01.02.L50017_0 | 4    | 1    | 58074736 | F.04.02.L50023_0 | 33   | 1    |
| 58070262 | D.02.01.L50017_0 | 26     | 1    | 58071873 | T.01.02.L50017_0 | 5    | 1    | 58074738 | F.03.02.L50020_0 | 15   | 1    |
|          | D.02.01.L50017_1 | 25     | 1    | 58072053 | T.01.02.L50017_0 | 12,3 | 1    | 58074739 | F.03.02.L50020_0 | 45   | 1    |
| 58070268 | D.02.01.L50017_0 | 28     | 1    | 58072054 | T.01.02.L50017_0 | 12,5 | 1    | 58074740 | F.03.02.L50020_0 | 17   | 1    |
|          | D.02.01.L50017_1 | 27     | 1    | 58072055 | T.01.02.L50017_0 | 12,6 | 1    | 58074777 | B.07.02.L50023_0 | 10   | 1    |
| 58070366 | D.14.01.L50017_0 | 10     | 2    | 58072056 | T.01.02.L50017_0 | 12   | 2    | 58074786 | B.07.02.L50023_0 | 5    | 1    |
| 58070390 | B.10.01.L50020_0 | 43     | 1    | 58072074 | A.02.04.L50021_0 | 9    | 1    | 58074787 | B.07.02.L50023_0 | 6    | 1    |
| 58070480 | T.01.02.L50017_0 | 11,3   | 2    | 58072075 | A.02.04.L50021_0 | 10   | 1    | 58074788 | B.07.02.L50023_0 | 3/03 | 2    |



## SPARE PARTS INSTANCE INDEX

| Code     | Parts Table      | Pos.   | Q.ty | Code     | Parts Table      | Pos.   | Q.ty | Code     | Parts Table      | Pos. | Q.ty |
|----------|------------------|--------|------|----------|------------------|--------|------|----------|------------------|------|------|
| 58074789 | B.07.02.L50023_0 | 3/02   | 2    | 58075166 | E.04.01.L50023_0 | 2      | 1    | 58170130 | D.04.01.L50017_0 | 23   | 1    |
| 58074790 | B.07.02.L50023_0 | 3/01   | 2    | 58075167 | E.04.01.L50023_0 | 3      | 4    |          | D.12.01.L50017_0 | 11   | 1    |
| 58074791 | B.07.02.L50023_0 | 4      | 2    | 58075175 | B.03.02.L50023_0 | 3      | 2    |          | D.12.01.L50017_1 | 10   | 1    |
| 58074794 | B.07.02.L50023_0 | 1      | 1    | 58075176 | B.05.02.L50023_0 | 3      | 2    | 58170181 | W.02.01.L50023_0 | 1,1  | 1    |
| 58074795 | B.07.02.L50023_0 | 2      | 1    | 58075193 | A.05.01.L50017_0 | 19-gen | 1    |          | W.02.01.L50023_0 | 5,1  | 1    |
| 58074831 | B.01.02.L50018_0 | 16     | 1    | 58075228 | F.02.02.L50018_0 | 14     | 1    |          | W.02.02.L50023_0 | 1,1  | 1    |
| 58074832 | A.02.04.L50021_0 | 8      | 1    | 58075229 | F.02.02.L50018_0 | 15     | 1    | 58170195 | D.11.01.L50017_0 | 6    | 2    |
| 58074836 | F.03.02.L50020_0 | 11     | 1    | 58075247 | L.02.04.L50023_0 | 6/01   | 1    | 58170233 | A.01.02.L50018_0 | 13   | 1    |
| 58074837 | B.07.02.L50023_0 | 7      | 1    | 58075248 | F.03.02.L50020_0 | 37     | 1    | 58170236 | B.08.01.L50017_0 | 12   | 1    |
| 58074839 | B.07.02.L50023_0 | 15     | 1    | 58075384 | B.08.01.L50017_0 | 07-feb | 1    | 58170238 | A.05.01.L50017_0 | 3    | 1    |
| 58074841 | B.07.02.L50023_0 | 8      | 1    |          | B.08.01.L50017_1 | 07-feb | 1    | 58170245 | L.01.01.L50017_0 | 21   | 2    |
| 58074846 | B.07.02.L50023_0 | 16     | 1    |          | B.08.01.L50017_2 | 07-feb | 1    | 58170251 | L.02.04.L50023_0 | 26   | 1    |
| 58074848 | B.07.02.L50023_0 | 21     | 1    |          | E.03.02.L50020_0 | 1/02   | 1    | 58170279 | D.04.01.L50017_0 | 8    | 1    |
| 58074874 | A.03.02.L50018_0 | 21     | 1    | 58075515 | D.12.01.L50017_0 | 46     | 5    | 58170291 | L.01.01.L50017_0 | 16   | 2    |
| 58074880 | B.07.02.L50023_0 | 11     | 1    |          | D.12.01.L50017_1 | 50     | 5    | 58170306 | D.02.01.L50017_0 | 19   | 2    |
| 58074891 | F.03.02.L50020_0 | 16     | 1    | 58075521 | B.07.02.L50023_0 | 18     | 1    |          | D.02.01.L50017_1 | 18   | 2    |
| 58074895 | A.05.01.L50017_0 | 19-feb | 1    | 58075522 | B.07.02.L50023_0 | 19     | 1    | 58170344 | B.08.01.L50017_0 | 19   | 1    |
| 58074901 | B.08.01.L50017_0 | 07-gen | 1    | 58075603 | L.01.01.L50017_0 | 7      | 1    |          | B.08.01.L50017_1 | 19   | 1    |
|          | E.03.02.L50020_0 | 1/01   | 1    | 58075607 | A.01.02.L50018_1 | 29     | 1    |          | B.08.01.L50017_2 | 19   | 1    |
| 58074903 | E.02.02.L50018_0 | 7      | 1    | 58075776 | B.08.01.L50017_1 | 07-gen | 1    | 58170345 | B.08.01.L50017_0 | 20   | 1    |
| 58074904 | E.01.01.L50017_0 | 1      | 1    |          | B.08.01.L50017_2 | 07-gen | 1    |          | B.08.01.L50017_1 | 20   | 1    |
| 58074906 | E.03.02.L50020_0 | 3      | 1    | 58076937 | B.07.02.L50023_0 | 23     | 1    |          | B.08.01.L50017_2 | 20   | 1    |
| 58074908 | E.03.02.L50020_0 | 4      | 1    | 58170013 | C.02.01.L50017_0 | 6      | 1    | 58170352 | F.01.02.L50018_0 | 13   | 1    |
| 58074953 | B.06.01.L50023_0 | 6      | 1    | 58170021 | C.03.01.L50017_0 | 4      | 1    | 58170376 | B.08.01.L50017_0 | 15   | 2    |
| 58075013 | B.07.02.L50023_0 | 33     | 1    | 58170026 | D.15.02.L50020_0 | 2      | 4    |          | B.08.01.L50017_1 | 15   | 2    |
| 58075019 | B.07.02.L50023_0 | 31     | 1    | 58170034 | D.02.01.L50017_0 | 29     | 6    |          | B.08.01.L50017_2 | 15   | 2    |
| 58075020 | B.07.02.L50023_0 | 32     | 1    |          | D.02.01.L50017_1 | 28     | 6    |          | E.04.01.L50023_0 | 7    | 2    |
| 58075021 | B.07.02.L50023_0 | 20     | 1    | 58170039 | D.01.01.L50017_0 | 24     | 4    | 58170436 | B.02.01.L50017_0 | 3    | 1    |
| 58075024 | B.07.02.L50023_0 | 17     | 1    | 58170045 | D.14.01.L50017_0 | 1      | 2    | 58170443 | D.02.01.L50017_0 | 22   | 1    |
| 58075074 | L.02.04.L50023_0 | 37     | 1    | 58170054 | D.07.01.L50017_0 | 7      | 3    |          | D.02.01.L50017_1 | 21   | 1    |
| 58075080 | L.02.04.L50023_0 | 43     | 2    | 58170069 | C.01.01.L50017_0 | 33     | 1    | 58170449 | T.01.02.L50017_0 | 16   | 1    |
| 58075087 | L.02.04.L50023_0 | 44     | 2    | 58170070 | D.10.01.L50017_0 | 12     | 3    | 58170453 | B.08.01.L50017_0 | 7,1  | 1    |
| 58075151 | L.02.04.L50023_0 | 50     | 1    | 58170077 | C.01.01.L50017_0 | 27     | 4    |          | E.03.02.L50020_0 | 1,1  | 1    |
| 58075165 | E.04.01.L50023_0 | 1      | 1    | 58170107 | D.01.01.L50017_0 | 26     | 2    | 58170571 | E.03.02.L50020_0 | 4,2  | 1    |

## SPARE PARTS INSTANCE INDEX

| Code     | Parts Table      | Pos.   | Q.ty | Code     | Parts Table      | Pos. | Q.ty | Code     | Parts Table      | Pos. | Q.ty |
|----------|------------------|--------|------|----------|------------------|------|------|----------|------------------|------|------|
| 58170572 | E.03.02.L50020_0 | 4,1    | 1    | 58171199 | A.01.02.L50018_0 | 1,1  | 1    | 58172400 | D.02.01.L50017_0 | 23   | 1    |
| 58170597 | L.02.04.L50023_0 | 33     | 1    |          | A.01.02.L50018_1 | 1,1  | 1    |          | D.02.01.L50017_1 | 22   | 1    |
| 58170693 | L.02.04.L50023_0 | 34     | 2    | 58171200 | A.01.02.L50018_0 | 1,2  | 1    |          | D.12.01.L50017_0 | 31   | 1    |
| 58170700 | E.02.02.L50018_0 | 7,1    | 1    |          | A.01.02.L50018_1 | 1,2  | 1    |          | D.12.01.L50017_1 | 33   | 1    |
| 58170703 | D.14.01.L50017_0 | 2      | 6    | 58171218 | B.06.01.L50023_0 | 7    | 2    | 58172402 | D.12.01.L50017_0 | 32   | 1    |
| 58170731 | W.02.02.L50023_0 | 7      | 1    | 58171220 | B.06.01.L50023_0 | 17   | 1    |          | D.12.01.L50017_1 | 34   | 1    |
| 58170837 | E.04.01.L50023_0 | 13     | 2    | 58171239 | B.12.01.L50017_0 | 3    | 1    | 58172447 | D.12.01.L50017_0 | 33   | 7    |
| 58170847 | E.04.01.L50023_0 | 5      | 4    | 58171536 | L.01.01.L50017_0 | 21,2 | 1    |          | D.12.01.L50017_1 | 35   | 8    |
| 58170860 | E.04.01.L50023_0 | 15     | 2    | 58171537 | L.01.01.L50017_0 | 21,1 | 1    | 58172448 | D.12.01.L50017_0 | 34   | 7    |
| 58170861 | E.04.01.L50023_0 | 14     | 2    | 58171739 | F.03.02.L50020_0 | 36,1 | 1    |          | D.12.01.L50017_1 | 36   | 8    |
| 58170947 | E.03.02.L50020_0 | 12     | 2    | 58171868 | B.06.01.L50023_0 | 12   | 2    | 58172463 | F.04.02.L50023_0 | 7    | 2    |
|          | E.04.01.L50023_0 | 4      | 4    | 58171901 | A.05.01.L50017_0 | 21   | 1    | 58172489 | I.01.01.L50017_0 | 8    | 1    |
| 58170959 | B.12.01.L50017_0 | 01-feb | 1    | 58171925 | I.01.01.L50017_0 | 10   | 1    | 58172707 | I.01.01.L50017_0 | 2    | 1    |
| 58170984 | B.05.02.L50023_0 | 17     | 1    | 58172011 | I.01.01.L50017_0 | 1    | 1    | 58172806 | F.01.02.L50018_0 | 25   | 1    |
| 58170995 | B.12.01.L50017_0 | 01-mar | 1    | 58172012 | I.01.01.L50017_0 | 3    | 1    | 58173030 | D.03.01.L50017_0 | 5    | 1    |
| 58171000 | T.01.02.L50017_0 | 6      | 2    | 58172013 | I.01.01.L50017_0 | 4    | 1    | 58173072 | T.01.02.L50017_0 | 13,2 | 1    |
| 58171004 | T.01.02.L50017_0 | 13,6   | 1    | 58172014 | I.01.01.L50017_0 | 11,2 | 1    | 58173116 | B.08.01.L50017_0 | 19,1 | 2    |
| 58171005 | T.01.02.L50017_0 | 13,5   | 1    |          | I.01.01.L50017_0 | 5    | 1    |          | B.08.01.L50017_0 | 20,1 | 2    |
| 58171006 | T.01.02.L50017_0 | 13,4   | 1    | 58172015 | L.02.04.L50023_0 | 10   | 1    |          | B.08.01.L50017_1 | 19,1 | 2    |
| 58171007 | T.01.02.L50017_0 | 13,1   | 1    | 58172016 | I.01.01.L50017_0 | 12   | 1    |          | B.08.01.L50017_1 | 20,1 | 2    |
| 58171019 | D.14.01.L50017_0 | 3      | 2    | 58172017 | I.01.01.L50017_0 | 13   | 1    |          | B.08.01.L50017_2 | 19,1 | 2    |
| 58171021 | T.01.02.L50017_0 | 7      | 2    | 58172018 | I.01.01.L50017_0 | 14   | 1    |          | B.08.01.L50017_2 | 20,1 | 2    |
| 58171027 | A.04.01.L50017_0 | 1,4    | 1    | 58172043 | E.04.01.L50023_0 | 12   | 1    | 58173118 | E.04.01.L50023_0 | 9    | 2    |
|          | A.04.02.L50017_0 | 1,4    | 1    | 58172105 | D.02.01.L50017_0 | 31   | 5    | 58173119 | B.08.01.L50017_0 | 19,2 | 2    |
| 58171028 | A.04.01.L50017_0 | 1,3    | 1    |          | D.02.01.L50017_1 | 30   | 5    |          | B.08.01.L50017_0 | 20,2 | 2    |
|          | A.04.02.L50017_0 | 1,3    | 1    | 58172106 | D.02.01.L50017_0 | 30   | 5    |          | B.08.01.L50017_1 | 19,2 | 2    |
| 58171053 | B.06.01.L50023_0 | 32     | 2    |          | D.02.01.L50017_1 | 29   | 5    |          | B.08.01.L50017_1 | 20,2 | 2    |
| 58171054 | B.06.01.L50023_0 | 33     | 2    | 58172240 | I.01.01.L50017_0 | 11,3 | 1    |          | B.08.01.L50017_2 | 19,2 | 2    |
| 58171066 | B.06.01.L50023_0 | 31     | 2    |          | I.01.01.L50017_0 | 6    | 1    |          | B.08.01.L50017_2 | 20,2 | 2    |
| 58171069 | A.04.02.L50017_0 | 6      | 1    | 58172267 | B.08.01.L50017_0 | 7,2  | 1    |          | E.04.01.L50023_0 | 10   | 2    |
| 58171072 | F.04.02.L50023_0 | 26     | 1    |          | E.03.02.L50020_0 | 1,2  | 1    | 58173120 | B.08.01.L50017_0 | 19,3 | 1    |
| 58171114 | B.06.01.L50023_0 | 13     | 2    | 58172304 | I.01.01.L50017_0 | 7    | 1    |          | B.08.01.L50017_1 | 19,3 | 1    |
| 58171115 | B.06.01.L50023_0 | 15     | 1    | 58172307 | L.02.04.L50023_0 | 40   | 2    |          | B.08.01.L50017_2 | 19,3 | 1    |
| 58171160 | F.03.02.L50020_0 | 1      | 1    | 58172359 | A.04.01.L50017_0 | 1    | 1    | 58173121 | B.08.01.L50017_0 | 20,3 | 1    |

## SPARE PARTS INSTANCE INDEX

| Code     | Parts Table      | Pos. | Q.ty | Code     | Parts Table      | Pos. | Q.ty | Code     | Parts Table      | Pos.   | Q.ty |
|----------|------------------|------|------|----------|------------------|------|------|----------|------------------|--------|------|
| 58173121 | B.08.01.L50017_1 | 20,3 | 1    | 58174928 | B.08.01.L50017_0 | 14   | 1    | 59070289 | L.01.01.L50017_0 | 18     | 1    |
|          | B.08.01.L50017_2 | 20,3 | 1    |          | B.08.01.L50017_1 | 14   | 1    | 59070290 | L.01.01.L50017_0 | 19     | 1    |
| 58173165 | A.04.01.L50017_0 | 1,5  | 1    |          | B.08.01.L50017_2 | 14   | 1    | 59070316 | T.01.02.L50017_0 | 8      | 2    |
|          | A.04.02.L50017_0 | 1,5  | 1    | 58174959 | A.01.02.L50018_0 | 2    | 1    | 59070323 | D.15.02.L50020_0 | 5      | 1    |
| 58173195 | D.03.01.L50017_0 | 19,1 | 2    |          | A.01.02.L50018_1 | 2    | 1    | 59070325 | D.15.02.L50020_0 | 1      | 1    |
|          | D.03.01.L50017_0 | 31,1 | 2    | 58174974 | I.01.01.L50017_0 | 11   | 1    | 59070333 | D.15.02.L50020_0 | 7      | 1    |
|          | D.03.01.L50017_0 | 36,1 | 2    |          | L.02.04.L50023_0 | 11   | 1    | 59070398 | D.15.02.L50020_0 | 3      | 2    |
| 58173361 | I.01.01.L50017_0 | 9    | 1    | 58175014 | F.01.02.L50018_0 | 18   | 2    | 59070448 | T.01.02.L50017_0 | 17     | 1    |
| 58173399 | F.04.02.L50023_0 | 10   | 1    | 58175044 | A.04.02.L50017_0 | 1    | 1    | 59070592 | B.05.02.L50023_0 | 35     | 1    |
| 58173437 | B.12.02.L50017_0 | 4    | 1    | 58175083 | L.02.04.L50023_0 | 52   | 1    | 59070702 | T.03.01.L50003_0 | 1      | 1    |
| 58173505 | F.01.02.L50018_0 | 14   | 1    | 58175085 | A.03.02.L50018_0 | 1,1  | 1    | 59071154 | B.05.02.L50023_0 | 29     | 2    |
| 58173506 | F.01.02.L50018_0 | 28   | 1    | 58175121 | A.01.02.L50018_0 | 25   | 1    | 59071171 | C.01.01.L50017_0 | 34     | 2    |
| 58173961 | D.03.01.L50017_0 | 4    | 1    |          | A.01.02.L50018_1 | 25   | 1    | 59071241 | B.12.01.L50017_0 | 12     | 1    |
| 58174192 | D.07.01.L50017_0 | 1    | 3    | 58175122 | F.01.02.L50018_0 | 7    | 1    | 59072057 | L.02.04.L50023_0 | 17     | 2    |
| 58174417 | D.03.01.L50017_0 | 45   | 1    | 58175162 | E.04.01.L50023_0 | 8    | 1    | 59072238 | B.05.02.L50023_0 | 40     | 1    |
| 58174547 | F.03.02.L50020_0 | 22   | 1    | 58175164 | E.04.01.L50023_0 | 11   | 2    | 59072380 | A.05.01.L50017_0 | 13     | 1    |
| 58174552 | D.01.01.L50017_0 | 1    | 1    | 58175191 | I.01.01.L50017_0 | 15   | 1    | 59072572 | D.13.01.L50017_0 | 20     | 1    |
| 58174555 | B.10.01.L50020_0 | 9    | 1    | 58175209 | C.01.01.L50017_0 | 42   | 1    | 59072974 | F.03.02.L50020_0 | 5      | 1    |
| 58174581 | L.01.01.L50017_0 | 11   | 1    | 58175222 | F.02.02.L50018_0 | 3    | 1    | 59073184 | A.04.02.L50017_0 | 7      | 1    |
| 58174604 | A.03.02.L50018_0 | 1/02 | 1    | 58175630 | W.02.01.L50023_0 | 9,1  | 1    | 59073189 | L.01.01.L50017_0 | 30     | 1    |
| 58174605 | A.03.02.L50018_0 | 1/01 | 1    | 58175700 | E.03.02.L50020_0 | 2    | 1    | 59073242 | D.15.02.L50020_0 | 31     | 2    |
| 58174608 | A.03.02.L50018_0 | 5    | 4    | 58175769 | B.08.01.L50017_1 | 12   | 1    | 59073674 | B.04.03.L50023_0 | 6      | 1    |
| 58174612 | A.01.02.L50018_0 | 23   | 1    |          | B.08.01.L50017_2 | 12   | 1    | 59073681 | A.02.04.L50021_0 | 11/02  | 1    |
|          | A.01.02.L50018_1 | 23   | 1    | 58175770 | B.08.01.L50017_1 | 13   | 1    | 59073685 | D.03.01.L50017_0 | 25     | 1    |
| 58174644 | B.10.01.L50020_0 | 38   | 2    |          | B.08.01.L50017_2 | 13   | 1    | 59073725 | D.03.01.L50017_0 | 19     | 1    |
| 58174710 | F.03.02.L50020_0 | 36   | 2    | 58175772 | B.08.01.L50017_1 | 11   | 1    | 59074077 | D.13.01.L50017_0 | 19     | 1    |
| 58174716 | D.02.01.L50017_0 | 2    | 1    |          | B.08.01.L50017_2 | 11   | 1    | 59074081 | D.03.01.L50017_0 | 36     | 1    |
|          | D.02.01.L50017_1 | 2    | 1    | 58175773 | A.01.02.L50018_1 | 13   | 1    | 59074185 | D.07.01.L50017_0 | 02-gen | 1    |
| 58174726 | D.15.02.L50020_0 | 20   | 1    | 59070012 | C.01.01.L50017_0 | 14   | 1    | 59074188 | D.07.01.L50017_0 | 4      | 1    |
| 58174774 | F.01.02.L50018_0 | 1    | 1    | 59070051 | D.15.02.L50020_0 | 35   | 1    | 59074206 | D.03.01.L50017_0 | 31     | 1    |
| 58174775 | F.02.02.L50018_0 | 1    | 1    | 59070065 | D.01.01.L50017_0 | 23   | 1    | 59074213 | A.02.04.L50021_0 | 15/02  | 1    |
| 58174834 | B.08.01.L50017_0 | 13   | 1    |          | D.09.01.L50017_0 | 12   | 1    | 59074296 | D.03.01.L50017_0 | 39     | 1    |
| 58174842 | B.08.01.L50017_0 | 11   | 1    | 59070094 | D.10.01.L50017_0 | 13   | 1    | 59074346 | A.02.04.L50021_0 | 11/01  | 1    |
| 58174882 | B.01.02.L50018_0 | 3    | 1    | 59070225 | C.01.01.L50017_0 | 31   | 1    | 59074347 | A.02.04.L50021_0 | 15/01  | 1    |



## SPARE PARTS INSTANCE INDEX

| Code     | Parts Table      | Pos.   | Q.ty | Code     | Parts Table      | Pos.   | Q.ty | Code     | Parts Table      | Pos.   | Q.ty |
|----------|------------------|--------|------|----------|------------------|--------|------|----------|------------------|--------|------|
| 59074351 | B.04.03.L50023_0 | 5      | 1    | 59074744 | F.04.02.L50023_0 | 19     | 1    | 59075283 | B.01.02.L50018_0 | 29     | 1    |
| 59074387 | D.07.01.L50017_0 | 03-gen | 1    | 59074745 | F.01.02.L50018_0 | 4      | 1    | 59075389 | L.02.04.L50023_0 | 29     | 1    |
| 59074391 | B.05.02.L50023_0 | 20     | 2    | 59074747 | F.01.02.L50018_0 | 29     | 1    | 59075390 | L.02.04.L50023_0 | 32     | 1    |
| 59074403 | B.10.01.L50020_0 | 22     | 1    | 59074748 | F.04.02.L50023_0 | 23     | 1    | 59075438 | T.04.01.L50018_0 | 12     | 1    |
| 59074436 | D.08.01.L50017_0 | 9      | 0    | 59074750 | F.01.02.L50018_0 | 3      | 1    | 59075601 | B.02.01.L50017_0 | 06-feb | 1    |
| 59074438 | D.08.01.L50017_0 | 4      | 0    | 59074752 | F.01.02.L50018_0 | 26     | 1    | 59075602 | B.02.01.L50017_0 | 06-gen | 1    |
| 59074443 | L.01.01.L50017_0 | 12     | 1    | 59074754 | L.02.04.L50023_0 | 7      | 1    | 59075813 | C.02.01.L50017_0 | 8      | 1    |
| 59074459 | D.15.02.L50020_0 | 28     | 1    | 59074929 | B.05.02.L50023_0 | 39     | 1    | 59270302 | W.02.02.L50023_0 | 1      | 1    |
| 59074468 | B.10.01.L50020_0 | 1      | 1    | 59074930 | B.06.01.L50023_0 | 1      | 1    | 59270303 | W.02.01.L50023_0 | 5      | 1    |
| 59074477 | B.10.01.L50020_0 | 21     | 1    | 59074931 | B.06.01.L50023_0 | 23     | 1    | 59270304 | W.02.01.L50023_0 | 1      | 1    |
| 59074482 | F.03.02.L50020_0 | 25     | 1    | 59074960 | B.04.03.L50023_0 | 1      | 1    | 59271011 | F.04.02.L50023_0 | 8      | 1    |
| 59074525 | B.10.01.L50020_0 | 33     | 1    | 59074961 | B.04.03.L50023_0 | 2      | 1    | 59271860 | D.03.01.L50017_0 | 1      | 1    |
| 59074531 | B.10.01.L50020_0 | 18     | 1    | 59074964 | B.06.01.L50023_0 | 2      | 1    | 59272073 | D.08.01.L50017_0 | 7      | 0    |
| 59074546 | F.03.02.L50020_0 | 23     | 1    | 59074965 | B.06.01.L50023_0 | 3      | 1    | 59275513 | D.12.01.L50017_0 | 44     | 1    |
| 59074561 | D.15.02.L50020_0 | 34     | 1    | 59074972 | B.03.02.L50023_0 | 23     | 1    | 59275632 | W.02.01.L50023_0 | 9      | 1    |
| 59074617 | A.05.01.L50017_0 | 22     | 1    | 59074973 | B.03.02.L50023_0 | 24     | 1    | 59276001 | C.02.01.L50017_0 | 1      | 1    |
| 59074623 | D.03.01.L50017_0 | 13     | 1    | 59074993 | D.12.01.L50017_0 | 59     | 1    | 59276076 | D.12.01.L50017_1 | 47     | 1    |
| 59074624 | A.01.02.L50018_0 | 27     | 1    |          | D.12.01.L50017_1 | 63     | 1    | 59276708 | D.03.01.L50017_0 | 2      | 1    |
|          | A.01.02.L50018_1 | 27     | 1    | 59075012 | T.03.02.L50003_0 | 1,1    | 1    | 59374107 | D.12.01.L50017_0 | 29     | 1    |
| 59074630 | A.03.02.L50018_0 | 8      | 1    | 59075061 | B.03.02.L50023_0 | 1      | 1    | 59374548 | D.01.01.L50017_0 | 13     | 1    |
| 59074638 | A.04.01.L50017_0 | 08-feb | 1    | 59075062 | B.03.02.L50023_0 | 2      | 1    | 59374549 | D.09.01.L50017_0 | 4      | 1    |
| 59074639 | A.05.01.L50017_0 | 12     | 1    | 59075063 | F.02.02.L50018_0 | 11     | 1    | 59375009 | T.03.02.L50003_0 | 1      | 1    |
| 59074640 | F.04.02.L50023_0 | 16     | 1    | 59075064 | L.02.04.L50023_0 | 28     | 1    | 59375435 | D.12.01.L50017_0 | 52     | 1    |
| 59074662 | B.02.01.L50017_0 | 20     | 2    | 59075067 | F.04.02.L50023_0 | 31     | 1    | 59377433 | D.12.01.L50017_1 | 56     | 1    |
| 59074671 | B.05.02.L50023_0 | 1      | 1    | 59075068 | F.04.02.L50023_0 | 24     | 1    | 59900151 | B.12.01.L50017_0 | 02-gen | 1    |
| 59074672 | B.05.02.L50023_0 | 2      | 1    | 59075078 | B.03.02.L50023_0 | 16     | 1    | 59900152 | B.12.01.L50017_0 | 14     | 1    |
| 59074701 | D.15.02.L50020_0 | 38     | 1    |          | B.05.02.L50023_0 | 22     | 1    | 59900153 | B.12.01.L50017_0 | 8      | 1    |
| 59074702 | D.15.02.L50020_0 | 39     | 1    | 59075079 | B.03.02.L50023_0 | 17     | 1    | 59900154 | B.12.01.L50017_0 | 7      | 4    |
| 59074727 | A.01.02.L50018_0 | 15     | 1    |          | B.05.02.L50023_0 | 21     | 1    | 59900155 | B.12.01.L50017_0 | 06-gen | 1    |
|          | A.01.02.L50018_1 | 15     | 1    | 59075081 | B.05.02.L50023_0 | 23     | 1    | 59900156 | B.12.01.L50017_0 | 5      | 1    |
| 59074729 | B.03.02.L50023_0 | 15     | 2    | 59075190 | A.04.01.L50017_0 | 08-gen | 1    | 59900157 | B.12.01.L50017_0 | 10     | 1    |
| 59074741 | D.03.01.L50017_0 | 8      | 1    | 59075224 | F.03.02.L50020_0 | 38     | 1    | 59900158 | B.12.01.L50017_0 | 9      | 18   |
| 59074742 | F.04.02.L50023_0 | 12     | 1    | 59075225 | F.03.02.L50020_0 | 39     | 1    | 59900159 | B.12.01.L50017_0 | 4      | 1    |
| 59074743 | F.04.02.L50023_0 | 22     | 1    | 59075239 | T.04.01.L50018_0 | 8      | 1    | 59900160 | B.12.01.L50017_0 | 11     | 1    |



## SPARE PARTS INSTANCE INDEX

| Code     | Parts Table      | Pos.   | Q.ty | Code        | Parts Table      | Pos.   | Q.ty | Code        | Parts Table      | Pos. | Q.ty |
|----------|------------------|--------|------|-------------|------------------|--------|------|-------------|------------------|------|------|
| 59900161 | B.12.01.L50017_0 | 13     | 1    | 59900353    | A.04.02.L50017_0 | 1,1    | 1    | F0801241010 | D.15.02.L50020_0 | 10   | 2    |
| 59900162 | B.12.01.L50017_0 | 02-mar | 1    | 59900354    | B.08.01.L50017_0 | 2      | 1    |             | L.01.01.L50017_0 | 23   | 2    |
| 59900182 | B.12.01.L50017_0 | 02-feb | 1    |             | B.08.01.L50017_1 | 2      | 1    | F0801244080 | D.12.01.L50017_1 | 24   | 2    |
| 59900183 | B.12.02.L50017_0 | 5      | 1    |             | B.08.01.L50017_2 | 2      | 1    | F0801248000 | D.12.01.L50017_1 | 14   | 1    |
| 59900184 | B.12.02.L50017_0 | 6      | 1    | 59900357    | A.01.02.L50018_1 | 28     | 1    | F0801264050 | D.02.01.L50017_0 | 12   | 1    |
| 59900185 | B.12.02.L50017_0 | 7      | 1    | 59900361    | W.02.01.L50023_0 | 1,2    | 1    |             | D.02.01.L50017_1 | 12   | 1    |
| 59900186 | B.12.02.L50017_0 | 8      | 1    |             | W.02.01.L50023_0 | 5,2    | 1    |             | D.04.01.L50017_0 | 1    | 1    |
| 59900187 | B.12.02.L50017_0 | 9      | 1    |             | W.02.01.L50023_0 | 9,2    | 1    | F0801266100 | D.02.01.L50017_0 | 21   | 1    |
| 59900199 | B.12.02.L50017_0 | 01-feb | 1    |             | W.02.02.L50023_0 | 1,2    | 1    |             | D.02.01.L50017_1 | 20   | 1    |
| 59900200 | B.12.02.L50017_0 | 01-gen | 1    | 59900363    | B.06.01.L50023_0 | 36     | 1    | F0801282050 | D.12.01.L50017_1 | 44   | 1    |
| 59900230 | I.01.01.L50017_0 | 10,1   | 1    | 59900364    | L.02.04.L50023_0 | 24     | 1    | F0801297000 | L.02.04.L50023_0 | 47   | 10   |
|          | I.01.01.L50017_0 | 11,1   | 1    | 59900365    | L.02.04.L50023_0 | 36     | 1    | F0801297050 | D.12.01.L50017_0 | 17   | 3    |
| 59900242 | E.03.02.L50020_0 | 1,3    | 1    | 59900376    | D.12.01.L50017_1 | 12     | 1    |             | D.12.01.L50017_1 | 48   | 1    |
| 59900298 | B.02.01.L50017_0 | 01-gen | 1    | 59978087    | D.12.01.L50017_1 | 27     | 1    | F0801331050 | L.01.01.L50017_0 | 20   | 2    |
| 59900299 | B.02.01.L50017_0 | 01-feb | 1    | F0110037024 | L.02.04.L50023_0 | 27     | 1    | F0801331150 | D.04.01.L50017_0 | 7    | 2    |
| 59900300 | B.02.01.L50017_0 | 01-mar | 1    | F0150010905 | W.02.01.L50023_0 | 10     | 1    | F0801353000 | D.04.01.L50017_0 | 12   | 1    |
| 59900301 | B.02.01.L50017_0 | 01-apr | 1    |             | W.02.02.L50023_0 | 4      | 1    |             | D.12.01.L50017_0 | 10   | 1    |
| 59900302 | B.02.01.L50017_0 | 01-mag | 1    | F0150036215 | B.12.02.L50017_0 | 02-gen | 1    |             | D.12.01.L50017_1 | 9    | 1    |
| 59900303 | B.02.01.L50017_0 | 01-giu | 1    | F0150036216 | B.12.02.L50017_0 | 02-feb | 1    | F0801380100 | D.04.01.L50017_0 | 16   | 2    |
| 59900304 | B.02.01.L50017_0 | 01-lug | 1    | F0150036219 | B.12.02.L50017_0 | 3      | 1    | F0801389000 | D.12.01.L50017_0 | 15   | 1    |
| 59900306 | B.02.01.L50017_0 | 01-set | 1    | F0150051050 | T.04.01.L50018_0 | 1      | 6    | F0801422010 | D.01.01.L50017_0 | 11   | 2    |
| 59900307 | B.02.01.L50017_0 | 01-gen | 1    | F0150051145 | T.04.01.L50018_0 | 3      | 2    | F0801455100 | D.02.01.L50017_0 | 33   | 1    |
| 59900308 | B.02.01.L50017_0 | 1/011  | 1    | F0190018909 | E.02.02.L50018_0 | 2      | 1    |             | D.02.01.L50017_1 | 32   | 1    |
| 59900309 | B.02.01.L50017_0 | 1/012  | 1    | F0190032529 | B.12.01.L50017_0 | 01-gen | 1    | F0802104000 | D.09.01.L50017_0 | 1    | 1    |
| 59900337 | A.01.02.L50018_0 | 1,4    | 1    | F0190035152 | E.03.02.L50020_0 | 17     | 1    | F0802119050 | D.01.01.L50017_0 | 25   | 4    |
|          | A.01.02.L50018_1 | 1,4    | 1    | F0256808000 | A.05.01.L50017_0 | 27     | 1    | F0802163010 | D.02.01.L50017_0 | 11   | 1    |
| 59900339 | F.03.02.L50020_0 | 36,2   | 1    | F0256809050 | A.03.02.L50018_0 | 3      | 1    |             | D.02.01.L50017_1 | 11   | 1    |
| 59900344 | A.01.02.L50018_0 | 1,3    | 1    | F0801095000 | D.15.02.L50020_0 | 27     | 1    | F0802228005 | D.12.01.L50017_0 | 24   | 1    |
|          | A.01.02.L50018_1 | 1,3    | 1    | F0801138010 | D.02.01.L50017_0 | 9      | 1    |             | D.12.01.L50017_1 | 28   | 1    |
| 59900345 | A.01.02.L50018_0 | 1,5    | 1    |             | D.02.01.L50017_1 | 9      | 1    | F0802239045 | D.01.01.L50017_0 | 8    | 1    |
|          | A.01.02.L50018_1 | 1,5    | 1    | F0801163000 | F.03.02.L50020_0 | 31     | 1    | F0802700150 | D.10.01.L50017_0 | 1    | 1    |
| 59900347 | A.04.01.L50017_0 | 1,2    | 1    | F0801218010 | D.01.01.L50017_0 | 29     | 2    | F0803050000 | D.08.01.L50017_0 | 10   | 0    |
|          | A.04.02.L50017_0 | 1,2    | 1    | F0801241010 | D.05.01.L50017_0 | 4      | 4    |             | F.03.02.L50020_0 | 24   | 1    |
| 59900353 | A.04.01.L50017_0 | 1,1    | 1    |             | D.12.01.L50017_0 | 25     | 1    | F0803057000 | D.03.01.L50017_0 | 16   | 2    |



## SPARE PARTS INSTANCE INDEX

| Code        | Parts Table      | Pos. | Q.ty | Code        | Parts Table      | Pos. | Q.ty | Code        | Parts Table      | Pos. | Q.ty |
|-------------|------------------|------|------|-------------|------------------|------|------|-------------|------------------|------|------|
| F0803078100 | D.01.01.L50017_0 | 6    | 1    | F0812859000 | D.01.01.L50017_0 | 10   | 2    | F0814574000 | A.04.02.L50017_0 | 4    | 3    |
| F0803171100 | D.03.01.L50017_0 | 14   | 1    | F0812868000 | D.04.01.L50017_0 | 2    | 1    |             | A.05.01.L50017_0 | 10   | 6    |
| F0803185000 | L.02.04.L50023_0 | 2    | 1    | F0812868060 | D.02.01.L50017_0 | 16   | 1    |             | B.02.01.L50017_0 | 10   | 4    |
| F0803186000 | D.08.01.L50017_0 | 6    | 0    |             | D.02.01.L50017_1 | 15   | 1    |             | B.04.03.L50023_0 | 15   | 8    |
| F0803199010 | D.12.01.L50017_0 | 61   | 1    | F0812878040 | D.04.01.L50017_0 | 4    | 2    |             | B.10.01.L50020_0 | 39   | 2    |
|             | D.12.01.L50017_1 | 65   | 1    |             | D.12.01.L50017_0 | 20   | 1    |             | D.01.01.L50017_0 | 3    | 1    |
| F0803208020 | F.01.02.L50018_0 | 28   | 1    | F0812899000 | D.12.01.L50017_1 | 26   | 1    |             | D.12.01.L50017_0 | 56   | 6    |
| F0803209000 | C.01.01.L50017_0 | 12   | 1    | F0812918010 | D.04.01.L50017_0 | 22   | 1    | F0814585000 | B.02.01.L50017_0 | 5    | 3    |
|             | D.11.01.L50017_0 | 4    | 1    |             | D.12.01.L50017_0 | 22   | 2    |             | B.10.01.L50020_0 | 8    | 1    |
| F0803209070 | C.01.01.L50017_0 | 13   | 1    |             | D.12.01.L50017_1 | 26   | 2    | F0814627000 | D.15.02.L50020_0 | 19   | 1    |
| F0808060100 | T.03.01.L50003_0 | 2    | 1    | F0812951200 | D.04.01.L50017_0 | 15   | 2    | F0814632000 | A.01.02.L50018_0 | 9    | 3    |
| F0808518050 | B.07.02.L50023_0 | 26   | 4    | F0812951300 | D.12.01.L50017_1 | 20   | 1    |             | A.01.02.L50018_1 | 9    | 3    |
| F0810510000 | D.03.01.L50017_0 | 27   | 2    | F0812952000 | D.04.01.L50017_0 | 13   | 1    |             | A.03.02.L50018_0 | 7    | 6    |
|             | D.03.01.L50017_0 | 50   | 1    | F0812956000 | D.01.01.L50017_0 | 15   | 2    |             | B.05.02.L50023_0 | 32   | 8    |
|             | D.14.01.L50017_0 | 6    | 2    |             | D.09.01.L50017_0 | 13   | 2    |             | C.01.01.L50017_0 | 10   | 2    |
|             | D.15.02.L50020_0 | 15   | 5    | F0812957010 | D.12.01.L50017_0 | 12   | 1    |             | C.01.01.L50017_0 | 30   | 4    |
| F0810527000 | D.03.01.L50017_0 | 35   | 1    |             | D.12.01.L50017_1 | 11   | 1    | F0814689020 | D.14.01.L50017_0 | 11   | 4    |
|             | D.03.01.L50017_0 | 41   | 1    | F0812975250 | D.10.01.L50017_0 | 2    | 2    | F0814750010 | C.03.01.L50017_0 | 9    | 16   |
| F0810622010 | T.01.02.L50017_0 | 2    | 2    | F0814525000 | E.03.02.L50020_0 | 7    | 1    | F0814756000 | T.04.01.L50018_0 | 11   | 2    |
| F0812523050 | D.02.01.L50017_0 | 1    | 1    | F0814529080 | E.03.02.L50020_0 | 14   | 4    | F0814797000 | C.01.01.L50017_0 | 31,1 | 1    |
|             | D.02.01.L50017_1 | 1    | 1    | F0814545000 | A.03.02.L50018_0 | 16   | 2    |             | C.01.01.L50017_0 | 33,1 | 1    |
| F0812599086 | D.12.01.L50017_0 | 7    | 1    | F0814547000 | B.03.02.L50023_0 | 11   | 2    | F0814907000 | T.01.02.L50017_0 | 11,8 | 1    |
|             | D.12.01.L50017_1 | 12,1 | 1    |             | B.05.02.L50023_0 | 11   | 2    |             | T.01.02.L50017_0 | 12,4 | 1    |
| F0812637000 | D.12.01.L50017_0 | 2    | 2    |             | B.06.01.L50023_0 | 14   | 2    | F0817512000 | A.03.02.L50018_0 | 22   | 2    |
|             | D.12.01.L50017_1 | 2    | 2    | F0814569000 | B.01.02.L50018_0 | 20   | 1    |             | A.05.01.L50017_0 | 18   | 4    |
| F0812660020 | D.04.01.L50017_0 | 21   | 1    |             | D.03.01.L50017_0 | 22   | 2    | F0817519000 | L.02.04.L50023_0 | 41   | 2    |
| F0812689050 | D.12.01.L50017_0 | 14   | 1    |             | D.03.01.L50017_0 | 44   | 1    | F0817523010 | F.01.02.L50018_0 | 12   | 8    |
|             | D.12.01.L50017_1 | 13   | 1    | F0814573000 | B.03.02.L50023_0 | 21   | 8    | F0817535000 | A.03.02.L50018_0 | 19   | 3    |
| F0812708030 | D.05.01.L50017_0 | 2    | 1    |             | B.05.02.L50023_0 | 28   | 11   | F0817550000 | A.03.02.L50018_0 | 20   | 1    |
| F0812736010 | D.12.01.L50017_0 | 28   | 1    | F0814574000 | A.01.02.L50018_0 | 17   | 3    | F0817568000 | A.04.01.L50017_0 | 14   | 2    |
|             | D.12.01.L50017_1 | 30   | 1    |             | A.01.02.L50018_1 | 17   | 3    |             | A.04.01.L50017_0 | 16   | 1    |
| F0812747000 | C.01.01.L50017_0 | 28   | 4    |             | A.03.02.L50018_0 | 13   | 1    |             | A.04.02.L50017_0 | 11   | 1    |
| F0812783000 | D.04.01.L50017_0 | 19   | 1    |             | A.04.01.L50017_0 | 11   | 1    |             | A.04.02.L50017_0 | 9    | 2    |
| F0812784000 | D.12.01.L50017_1 | 17   | 2    |             | A.04.01.L50017_0 | 4    | 3    | F0817568100 | A.04.01.L50017_0 | 18   | 1    |



## SPARE PARTS INSTANCE INDEX

| Code        | Parts Table      | Pos. | Q.ty | Code        | Parts Table      | Pos. | Q.ty | Code        | Parts Table      | Pos. | Q.ty |
|-------------|------------------|------|------|-------------|------------------|------|------|-------------|------------------|------|------|
| F0817568100 | A.04.01.L50017_0 | 6    | 3    | F0825420560 | E.01.01.L50017_0 | 6,1  | 2    | F0835031010 | F.03.02.L50020_0 | 19   | 4    |
|             | A.04.02.L50017_0 | 13   | 1    | F0825420600 | E.03.02.L50020_0 | 13   | 2    | F0835037000 | L.02.04.L50023_0 | 45   | 4    |
| F0817640003 | D.07.01.L50017_0 | 5    | 3    | F0825420660 | E.03.02.L50020_0 | 13,1 |      | F0835040030 | F.03.02.L50020_0 | 18   | 2    |
| F0822537050 | D.03.01.L50017_0 | 32   | 1    | F0825429003 | E.04.01.L50023_0 | 6    | 4    | F0835523000 | D.03.01.L50017_0 | 29   | 1    |
|             | D.03.01.L50017_0 | 37   | 1    | F0825436000 | B.08.01.L50017_0 | 7,3  | 1    | F0837521000 | B.10.01.L50020_0 | 42   | 1    |
|             | D.15.02.L50020_0 | 30   | 4    |             | B.08.01.L50017_1 | 7,3  | 1    | F0837534010 | L.02.04.L50023_0 | 15   | 4    |
| F0824022000 | L.02.04.L50023_0 | 5    | 1    |             | B.08.01.L50017_2 | 7,3  | 1    | F0837534060 | D.13.01.L50017_0 | 12   | 2    |
| F0824110000 | D.03.01.L50017_0 | 18   | 2    |             | E.03.02.L50020_0 | 1,5  | 1    | F0838154010 | D.12.01.L50017_0 | 54   | 2    |
|             | F.01.02.L50018_0 | 9    | 1    | F0825436003 | B.08.01.L50017_0 | 7,4  | 1    |             | D.12.01.L50017_1 | 58   | 2    |
|             | F.02.02.L50018_0 | 17   | 1    |             | B.08.01.L50017_1 | 7,4  | 1    | F0838475000 | C.01.01.L50017_0 | 9    | 2    |
|             | F.04.02.L50023_0 | 21   | 2    |             | B.08.01.L50017_2 | 7,4  | 1    | F0840563000 | F.01.02.L50018_0 | 17   | 3    |
|             | L.02.04.L50023_0 | 31   | 17   |             | E.03.02.L50020_0 | 1,6  | 1    | F0842512000 | F.03.02.L50020_0 | 12   | 2    |
| F0824113000 | F.02.02.L50018_0 | 13   | 2    | F0825438000 | E.03.02.L50020_0 | 5    | 1    | F0843102000 | D.08.01.L50017_0 | 11   | 0    |
|             | F.03.02.L50020_0 | 44   | 2    | F0825480100 | E.02.02.L50018_0 | 1    | 1    |             | F.04.02.L50023_0 | 17   | 4    |
|             | L.02.04.L50023_0 | 39   | 4    | F0825488000 | E.03.02.L50020_0 | 9    | 2    | F0843109020 | D.03.01.L50017_0 | 17   | 1    |
| F0824141000 | F.03.02.L50020_0 | 14   | 8    | F0825493000 | E.03.02.L50020_0 | 18   | 1    |             | F.04.02.L50023_0 | 20   | 1    |
|             | L.02.04.L50023_0 | 46   | 5    | F0825500220 | B.08.01.L50017_0 | 8,1  | 1    |             | L.02.04.L50023_0 | 30   | 2    |
| F0824185000 | F.01.02.L50018_0 | 16   | 2    |             | B.08.01.L50017_1 | 8,1  | 1    | F0843110010 | F.03.02.L50020_0 | 43   | 1    |
| F0825115010 | B.08.01.L50017_0 | 10   | 1    |             | B.08.01.L50017_2 | 8,1  | 1    |             | L.02.04.L50023_0 | 38   | 2    |
|             | B.08.01.L50017_1 | 10   | 1    | F0825718020 | F.01.02.L50018_0 | 18,1 | 2    | F0843116000 | F.03.02.L50020_0 | 13   | 6    |
|             | B.08.01.L50017_2 | 10   | 1    | F0825809000 | L.02.04.L50023_0 | 1    | 1    | F0843561000 | A.02.04.L50021_0 | 24   | 1    |
| F0825117000 | E.03.02.L50020_0 | 8    | 1    | F0825980030 | L.02.04.L50023_0 | 48   | 5    |             | F.04.02.L50023_0 | 28   | 2    |
| F0825139000 | E.03.02.L50020_0 | 1,4  | 1    | F0826038000 | C.01.01.L50017_0 | 23   | 4    | F0843570000 | A.01.02.L50018_0 | 11   | 1    |
| F0825400060 | B.08.01.L50017_0 | 9    | 1    | F0826039000 | D.03.01.L50017_0 | 34   | 1    |             | A.01.02.L50018_1 | 11   | 1    |
|             | B.08.01.L50017_1 | 9    | 1    |             | D.03.01.L50017_0 | 40   | 1    |             | A.03.02.L50018_0 | 15   | 2    |
|             | B.08.01.L50017_2 | 9    | 1    | F0826056000 | L.01.01.L50017_0 | 6    | 2    |             | A.04.01.L50017_0 | 10   | 1    |
| F0825403050 | B.08.01.L50017_0 | 18   | 1    |             | T.03.02.L50003_0 | 1,2  | 1    |             | B.01.02.L50018_0 | 24   | 12   |
|             | B.08.01.L50017_1 | 18   | 1    | F0828029070 | A.02.04.L50021_0 | 1    | 1    |             | B.02.01.L50017_0 | 15   | 2    |
|             | B.08.01.L50017_2 | 18   | 1    | F0831047000 | D.13.01.L50017_0 | 9    | 1    |             | B.03.02.L50023_0 | 28   | 2    |
| F0825404050 | E.01.01.L50017_0 | 2    | 2    | F0831065000 | B.01.02.L50018_0 | 13   | 1    |             | B.04.03.L50023_0 | 21   | 4    |
| F0825414000 | A.05.01.L50017_0 | 24   | 2    |             | F.03.02.L50020_0 | 29   | 1    |             | B.05.02.L50023_0 | 15   | 8    |
|             | E.03.02.L50020_0 | 15   | 2    | F0831125000 | A.02.04.L50021_0 | 14   | 2    |             | B.06.01.L50023_0 | 35   | 4    |
| F0825417000 | E.02.02.L50018_0 | 8    | 1    | F0835024010 | F.02.02.L50018_0 | 16   | 1    |             | C.01.01.L50017_0 | 47   | 10   |
| F0825420500 | E.01.01.L50017_0 | 6    | 2    |             | L.02.04.L50023_0 | 35   | 5    |             | F.02.02.L50018_0 | 7    | 5    |

## SPARE PARTS INSTANCE INDEX

| Code        | Parts Table      | Pos. | Q.ty | Code        | Parts Table      | Pos. | Q.ty | Code        | Parts Table      | Pos. | Q.ty |
|-------------|------------------|------|------|-------------|------------------|------|------|-------------|------------------|------|------|
| F0843570000 | F.03.02.L50020_0 | 41   | 1    | F0843755000 | B.05.02.L50023_0 | 31   | 8    | F0844273090 | D.10.01.L50017_0 | 16   | 1    |
|             | F.04.02.L50023_0 | 6    | 3    |             | C.01.01.L50017_0 | 11   | 2    |             | L.02.04.L50023_0 | 53   | 1    |
| F0843581010 | D.03.01.L50017_0 | 7    | 2    |             | E.02.02.L50018_0 | 6    | 1    | F0847434000 | D.07.01.L50017_0 | 37   | 5    |
| F0843641000 | D.03.01.L50017_0 | 11   | 2    |             | F.01.02.L50018_0 | 24   | 4    |             | D.13.01.L50017_0 | 17   | 1    |
|             | D.12.01.L50017_0 | 58   | 1    |             | F.02.02.L50018_0 | 10   | 2    | F0847462000 | D.13.01.L50017_0 | 8    | 1    |
|             | D.12.01.L50017_1 | 62   | 1    |             | F.03.02.L50020_0 | 4    | 6    | F0848664000 | W.02.01.L50023_0 | 4    | 1    |
| F0843643060 | A.01.02.L50018_0 | 4    | 7    |             | T.01.02.L50017_0 | 10   | 8    | F0848679500 | W.02.01.L50023_0 | 8    | 1    |
|             | A.01.02.L50018_1 | 4    | 7    |             | T.04.01.L50018_0 | 15   | 9    | F0848679600 | W.02.01.L50023_0 | 11   | 1    |
|             | A.02.04.L50021_0 | 5    | 5    | F0843771000 | D.07.01.L50017_0 | 15   | 5    | F0848680000 | W.02.01.L50023_0 | 6    | 1    |
|             | A.03.02.L50018_0 | 12   | 1    |             | D.08.01.L50017_0 | 12   | 0    | F0848681600 | W.02.02.L50023_0 | 8    | 1    |
|             | A.05.01.L50017_0 | 11   | 4    |             | F.04.02.L50023_0 | 18   | 8    | F0848681605 | W.02.02.L50023_0 | 9    | 2    |
|             | B.01.02.L50018_0 | 19   | 1    | F0843818000 | B.04.03.L50023_0 | 11   | 10   | F0848683000 | W.02.02.L50023_0 | 6    | 1    |
|             | B.02.01.L50017_0 | 9    | 4    | F0843841000 | D.03.01.L50017_0 | 3    | 2    | F0848683500 | W.02.02.L50023_0 | 5    | 1    |
|             | B.03.02.L50023_0 | 20   | 16   |             | F.04.02.L50023_0 | 11   | 1    | F0848940000 | W.02.01.L50023_0 | 7    | 1    |
|             | B.05.02.L50023_0 | 27   | 18   | F0843843060 | B.03.02.L50023_0 | 26   | 8    | F0849206005 | A.03.02.L50018_0 | 14   | 1    |
|             | B.10.01.L50020_0 | 15   | 16   |             | B.05.02.L50023_0 | 42   | 4    | F0849500001 | A.05.01.L50017_0 | 1,1  | 1    |
|             | C.01.01.L50017_0 | 36   | 2    | F0843907000 | D.03.01.L50017_0 | 9    | 4    | F0849500002 | A.05.01.L50017_0 | 1,2  | 1    |
|             | C.02.01.L50017_0 | 11   | 2    |             | F.01.02.L50018_0 | 11   | 1    | F0850100000 | D.05.01.L50017_0 | 1    | 1    |
|             | D.15.02.L50020_0 | 25   | 7    |             | F.03.02.L50020_0 | 20   | 4    | F0850100010 | D.05.01.L50017_0 | 1    | 1    |
|             | F.01.02.L50018_0 | 22   | 7    |             | F.04.02.L50023_0 | 14   | 17   | F0850100020 | D.05.01.L50017_0 | 1    | 1    |
|             | F.03.02.L50020_0 | 27   | 2    | F0843921030 | B.01.02.L50018_0 | 27   | 2    | F0851044000 | D.01.01.L50017_0 | 30   | 3    |
|             | F.03.02.L50020_0 | 8    | 4    |             | B.06.01.L50023_0 | 5    | 12   | F0851156000 | D.07.01.L50017_0 | 33   | 4    |
|             | F.04.02.L50023_0 | 3    | 2    |             | T.04.01.L50018_0 | 10   | 4    | F0851226000 | D.12.01.L50017_0 | 53   | 1    |
|             | L.01.01.L50017_0 | 10   | 2    | F0843948000 | F.03.02.L50020_0 | 35   | 10   |             | D.12.01.L50017_1 | 57   | 1    |
|             | L.01.01.L50017_0 | 26   | 2    |             | F.04.02.L50023_0 | 9    | 1    | F0851260000 | D.11.01.L50017_0 | 14   | 1    |
|             | L.02.04.L50023_0 | 9    | 6    | F0843957000 | D.08.01.L50017_0 | 2    | 0    | F0851262000 | D.07.01.L50017_0 | 34   | 4    |
|             | T.01.02.L50017_0 | 15   | 2    | F0843993060 | W.02.01.L50023_0 | 16   | 4    |             | D.15.02.L50020_0 | 4    | 2    |
| F0843696000 | B.12.02.L50017_0 | 12   | 4    |             | W.02.02.L50023_0 | 13   | 4    | F0851267050 | D.07.01.L50017_0 | 35   | 3    |
| F0843711000 | D.15.02.L50020_0 | 37   | 4    | F0844030070 | A.01.02.L50018_0 | 14   | 1    |             | D.11.01.L50017_0 | 9    | 1    |
| F0843755000 | A.01.02.L50018_0 | 8    | 7    |             | A.01.02.L50018_1 | 14   | 1    | F0851486000 | L.01.01.L50017_0 | 31   | 1    |
|             | A.01.02.L50018_1 | 8    | 7    | F0844150000 | W.02.01.L50023_0 | 3    | 4    |             | T.01.02.L50017_0 | 12,2 | 3    |
|             | A.03.02.L50018_0 | 6    | 8    |             | W.02.02.L50023_0 | 3    | 4    |             | T.01.02.L50017_0 | 4,5  |      |
|             | A.05.01.L50017_0 | 15   | 2    | F0844273090 | C.01.01.L50017_0 | 5    | 2    |             | T.01.02.L50017_0 | 5,5  |      |
|             | B.04.03.L50023_0 | 8    | 6    |             | C.03.01.L50017_0 | 5    | 1    |             | T.03.01.L50003_0 | 5    | 2    |



## SPARE PARTS INSTANCE INDEX

| Code        | Parts Table      | Pos.  | Q.ty | Code        | Parts Table      | Pos. | Q.ty | Code          | Parts Table      | Pos. | Q.ty |
|-------------|------------------|-------|------|-------------|------------------|------|------|---------------|------------------|------|------|
| F0851486000 | T.03.02.L50003_0 | 3     | 2    | F0862478070 | D.10.01.L50017_0 | 8    | 3    | F0864180000   | T.03.01.L50003_0 | 8    | 8    |
|             | T.04.01.L50018_0 | 7     | 2    | F0862479020 | B.08.01.L50017_0 | 16   | 4    |               | T.03.02.L50003_0 | 6    | 8    |
| F0851497000 | B.01.02.L50018_0 | 30    | 1    |             | B.08.01.L50017_1 | 16   | 4    | F0864201020   | B.06.01.L50023_0 | 4    | 12   |
|             | T.03.01.L50003_0 | 3     | 1    |             | B.08.01.L50017_2 | 16   | 4    | F0864222010   | C.01.01.L50017_0 | 17   | 16   |
| F0852107050 | T.01.02.L50017_0 | 4,2   | 1    |             | B.10.01.L50020_0 | 20   | 8    | F0864245000   | T.04.01.L50018_0 | 9    | 4    |
|             | T.01.02.L50017_0 | 5,2   | 1    | F0862479030 | B.03.02.L50023_0 | 18   | 8    | F0864314000   | W.02.01.L50023_0 | 15   | 4    |
| F0852538050 | F.01.02.L50018_0 | 10    | 1    |             | B.05.02.L50023_0 | 24   | 6    |               | W.02.02.L50023_0 | 12   | 4    |
| F0852540050 | C.02.01.L50017_0 | 2     | 1    | F0862479032 | B.05.02.L50023_0 | 25   | 2    | F0864379010   | T.01.02.L50017_0 | 11,1 | 1    |
| F0852550020 | L.02.04.L50023_0 | 49/01 | 2    | F0862479034 | B.04.03.L50023_0 | 25   | 1    | F0864410500   | W.02.01.L50023_0 | 2    | 4    |
| F0852550030 | L.02.04.L50023_0 | 49/02 | 2    | F0862479035 | B.04.03.L50023_0 | 20   | 4    |               | W.02.02.L50023_0 | 2    | 4    |
| F0852550040 | L.02.04.L50023_0 | 49/03 | 1    |             | B.04.03.L50023_0 | 24   | 3    | F0865040000   | B.08.01.L50017_0 | 1    | 1    |
| F0854067050 | B.07.02.L50023_0 | 24    | 1    | F0862479040 | B.03.02.L50023_0 | 9    | 2    |               | B.08.01.L50017_1 | 1    | 1    |
| F0858021000 | A.02.04.L50021_0 | 19    | 3    |             | B.05.02.L50023_0 | 9    | 2    |               | B.08.01.L50017_2 | 1    | 1    |
|             | B.01.02.L50018_0 | 14    | 1    | F0862481000 | F.04.02.L50023_0 | 30   | 2    | F0865474000   | B.08.01.L50017_0 | 3    | 1    |
| F0858520000 | A.02.04.L50021_0 | 7     | 1    | F0862495010 | B.12.02.L50017_0 | 11   | 4    |               | B.08.01.L50017_1 | 3    | 1    |
| F0860060010 | D.03.01.L50017_0 | 42    | 1    | F0862549000 | D.08.01.L50017_0 | 14   | 0    |               | B.08.01.L50017_2 | 3    | 1    |
| F0860060020 | D.03.01.L50017_0 | 43    | 1    | F0862593050 | D.01.01.L50017_0 | 2    | 1    | F0865474005   | B.08.01.L50017_0 | 3,1  | 1    |
| F0860091020 | D.15.02.L50020_0 | 32    | 2    | F0862655000 | D.08.01.L50017_0 | 13   | 0    |               | B.08.01.L50017_1 | 3,1  | 1    |
| F0861867001 | B.08.01.L50017_0 | 22    | 3    |             | D.10.01.L50017_0 | 14   | 4    |               | B.08.01.L50017_2 | 3,1  | 1    |
|             | B.08.01.L50017_1 | 22    | 3    | F0862694000 | D.03.01.L50017_0 | 21   | 1    | F0907170120   | B.07.02.L50023_0 | 34   | 1    |
|             | B.08.01.L50017_2 | 22    | 3    | F0862875000 | B.10.01.L50020_0 | 6    | 1    | P000000005672 | L.02.04.L50023_0 | 16   | 1    |
| F0861867050 | A.05.01.L50017_0 | 4     | 6    | F0862944000 | D.07.01.L50017_0 | 13   | 1    | P000000009122 | W.02.01.L50023_0 | 12   | 1    |
|             | E.01.01.L50017_0 | 3     | 6    | F0863183000 | D.07.01.L50017_0 | 39   | 2    | P000000260007 | A.03.02.L50018_0 | 2    | 1    |
| F0861928050 | B.10.01.L50020_0 | 30    | 4    | F0863267050 | C.01.01.L50017_0 | 25   | 6    |               | B.02.01.L50017_0 | 13   | 1    |
| F0861941000 | E.03.02.L50020_0 | 6     | 1    | F0863311250 | D.01.01.L50017_0 | 14   | 8    | P227332000000 | F.03.02.L50020_0 | 21   | 1    |
| F0861943000 | F.04.02.L50023_0 | 27    | 2    |             | D.09.01.L50017_0 | 5    | 8    | P236410000000 | B.02.01.L50017_0 | 2    | 1    |
| F0862129000 | F.03.02.L50020_0 | 47    | 2    | F0863358050 | C.01.01.L50017_0 | 22   | 8    | P470330000000 | D.12.01.L50017_1 | 67   | 1    |
| F0862345000 | D.03.01.L50017_0 | 6     | 2    | F0863429000 | L.01.01.L50017_0 | 4    | 4    | P470433000000 | D.12.01.L50017_1 | 66   | 1    |
|             | F.04.02.L50023_0 | 5     | 2    | F0863586000 | B.10.01.L50020_0 | 28   | 6    | P988438000001 | F.04.02.L50023_0 | 13   | 6    |
| F0862448100 | D.03.01.L50017_0 | 12    | 2    | F0863890010 | C.03.01.L50017_0 | 13   | 16   |               |                  |      |      |
|             | D.12.01.L50017_0 | 57    | 1    | F0863925000 | C.02.01.L50017_0 | 3    | 7    |               |                  |      |      |
|             | D.12.01.L50017_1 | 61    | 1    |             | C.02.01.L50017_0 | 4/01 | 1    |               |                  |      |      |
| F0862462010 | L.02.04.L50023_0 | 4     | 1    | F0863951000 | C.02.01.L50017_0 | 5    | 1    |               |                  |      |      |
| F0862464050 | A.05.01.L50017_0 | 23    | 2    | F0863997010 | C.02.01.L50017_0 | 4/02 | 1    |               |                  |      |      |